

ELECTRICAL SPECIFICATIONS:

1.0 TURNS RATIO: (P6-P5-P4) : (J6-J3)  
(P3-P2-P1) : (J2-J1)

2.0 INDUCTANCE: (P6-P4)  
(P3-P1)

3.0 LEAKAGE INDUCTANCE: P6-P4 (WITH J6 AND J3 SHORT)  
P3-P1 (WITH J2 AND J1 SHORT)

4.0 INTERWINDING CAPACITANCE: (P6,P5,P4) TO (J6,J3)  
(P3,P2,P1) TO (J2,J1)

5.0 DC RESISTANCE: (J6-J3)=(J2-J1)

: 1CT : 1CT ± 3%  
: 1CT : 1CT ± 3%

: 350uH MIN. @ 0.1V, 100KHz, 8mA DC Bias  
: 350uH MIN. @ 0.1V, 100KHz, 8mA DC Bias

: 0.3 MAX. @ 1MHZ  
: 0.3 MAX. @ 1MHZ

: 30pf MAX @ 1MHZ  
: 30pf MAX. @ 1MHZ

: 1.2 ohms Max.

NOTES

1.0 PINS WITHOUT ELECTRICAL CONNECTION ARE OMITTED.

Bel Stewart Connector

11118 Susquehanna Trail, South  
Glen Rock, Pa 17327-9199  
717.234.7512

**MagJack®**

<http://www.stewartconnector.com>

SHEET 1 OF 3

DRAWING NO.

SI-46010-F

REV. X0

THIS DRAWING AND THE SUBJECT MATTER SHOWN THEREON ARE CONFIDENTIAL AND PROPERTY OF BEL STEWART CONNECTOR AND SHALL NOT BE REPRODUCED, COPIED, OR USED IN ANY MANNER WITHOUT PRIOR WRITTEN CONTENT OF BEL STEWART CONNECTOR. THE SUBJECT MATTER MAY BE PATENTED OR A PATENT MAY BE PENDING FOR BEL STEWART CONNECTOR. THE SUBJECT MATTER SHOWN THEREON ARE CONFIDENTIAL AND PROPERTY OF BEL STEWART CONNECTOR AND SHALL NOT BE REPRODUCED, COPIED, OR USED IN ANY MANNER WITHOUT PRIOR WRITTEN CONTENT OF BEL STEWART CONNECTOR.

6.0 RETURN LOSS: (P6-P4)=100 OHMS AND (P1-P3)=100 OHM REF.  
1MHZ TO 30MHZ  
60MHZ TO 80MHZ

: 18dB MIN.  
: 12dB MIN.

NOTE: 100 OHMS CONNECTED TO (J2-J1) OR (J6-J3).

7.0 VOLTAGE WITHSTAND:

(J1, J2) TO (P1, P3)  
(J3, J6) TO (P4, P6)

: 1500 VAC  
: 1500 VAC

8.0 INSERTION LOSS: RS=RL=100 OHMS  
100KHZ TO 100MHZ

1.1 dB TYP

9.0 RISE TIME: RS=100 OHMS AND RL = 100 OHMS  
OUTPUT VOLTAGE = 1 V PEAK  
PULSE WIDTH= 112nS

3.0 nS MAX  
3.0 nS MAX

10.0 CROSS TALK:

1MHZ TO 100MHZ

40 dB TYP

11.0 COMMON TO COMMON MODE ATTENUATION:  
30MHZ TO 100MHZ

35dB TYP

Bel Stewart Connector  
11118 Susquehanna Trail, South  
Glen Rock, Pa 17327-9199  
717.234.7512

**MagJack®**

<http://www.stewartconnector.com>

THIS DRAWING AND THE SUBJECT MATTER SHOWN THEREON ARE CONFIDENTIAL AND PROPERTY OF BEL STEWART CONNECTOR AND SHALL NOT BE REPRODUCED, COPIED, OR USED IN ANY MANNER WITHOUT PRIOR WRITTEN CONTENT OF BEL STEWART CONNECTOR. THE SUBJECT MATTER SHOWN HEREON MAY BE PATENTED OR A PATENT MAY BE PENDING FOR BEL STEWART CONNECTOR. THE SUBJECT MATTER SHOWN HEREON MAY BE PATENTED OR A PATENT MAY BE PENDING FOR BEL STEWART CONNECTOR.

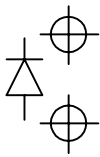
SHEET  
2 OF 3

DRAWING NO.

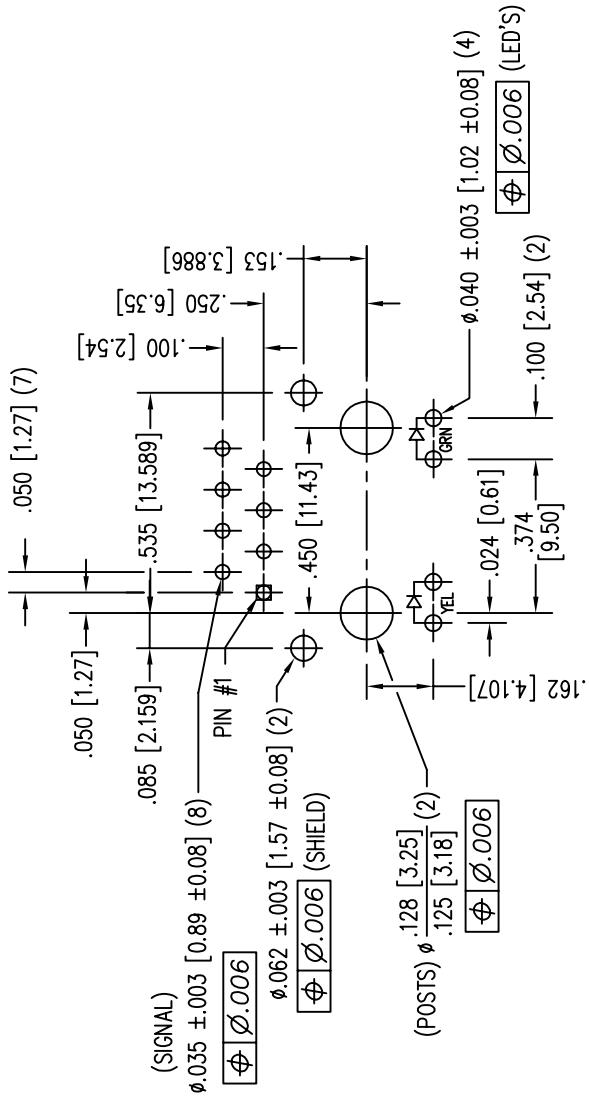
SI-46010-F

REV. X0

LED POLARITY  
(ENLARGED VIEW)

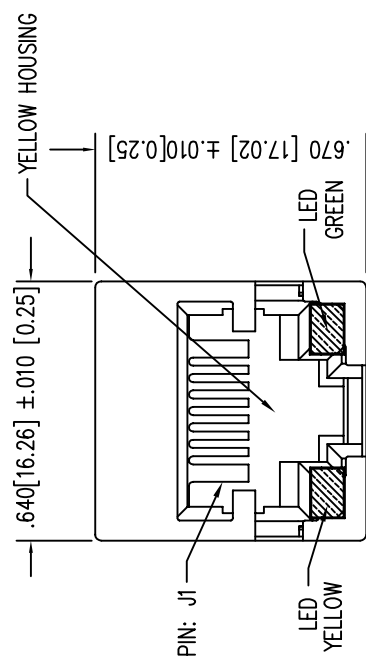
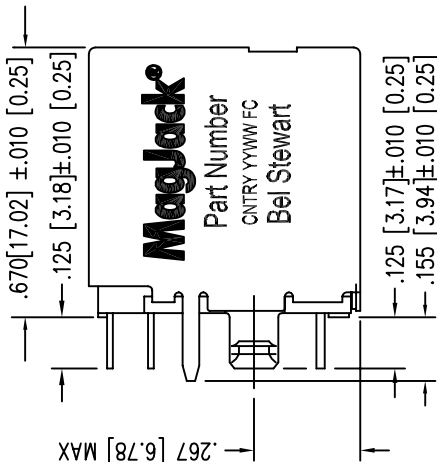
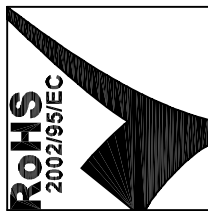


SINGLE COLOR LED



P.C.B. RECOMMENDED HOLE LAYOUT  
SEEN FROM COMPONENT SIDE

ALL CENTERLINE DIMENSIONS ARE BASIC.



LED SPECIFICATION			
STANDARD LED	WAVELENGTH	FORWARD V (MAX)	*(TYP)
GREEN	565 nm	2.5 V	2.2 V
YELLOW	590 nm	2.5 V	2.1 V

\*WITH A FORWARD CURRENT OF 20 mA (TYP)

- NOTES:
- CONNECTOR MATERIALS:  
HOUSING: THERMOPLASTIC UL94 V-0  
CONTACT/SHIELD: COPPER ALLOY  
SHIELD PLATING: NICKEL OR TIN  
CONTACT PLATING: SELECTIVE GOLD,  
50 MICRO-INCHES MIN. IN CONTACT AREA.
  - PIN NOT ELECTRICALLY CONNECTED MAYBE OMITTED.  
SEE ELECTRICAL DRAWING FOR OMITTED PINS.
  - TOLERANCES COMPLY WITH F.C.C. DIMENSION REQUIREMENTS.
  - WAVE SOLDER COMPATIBLE - PREHEAT 125°C/90SECS.
  - HOUSING COLOR IS YELLOW PER PANTONE 115C.

Bel Stewart Connector  
11118 Susquehanna Trail, South  
Glen Rock, Pa 17327-9199  
717.234.7512

MagJack®  
<http://www.stewartconnector.com>

THIS DRAWING AND THE SUBJECT MATTER SHOWN THEREON ARE CONFIDENTIAL AND PROPERTY OF BEL STEWART CONNECTOR AND SHALL NOT BE REPRODUCED, COPIED, OR USED IN ANY MANNER WITHOUT PRIOR WRITTEN CONTENT BEL STEWART CONNECTOR. THE SUBJECT MATTER SHOWN THEREON MAY BE PATENTED OR A PATENT MAY BE PENDING FOR BEL STEWART CONNECTOR.

SHEET 3 OF 3  
DRAWING NO. SJ-46010-F  
REV. 04