

NOTES:

1.0 DESIGNED TO PROTECT AGAINST GR1089 INTRABUILDING AND ESD SURGES.

2.0 PINS WITHOUT ELECTRICAL CONNECTION ARE OMITTED.

3.0 ALL RESISTORS ARE ±5% TOLERANCE.

1.0 TURNS RATIO: (P4-P5-P6) : (J3-J6)
(P3-P2-P1) : (J1-J2)

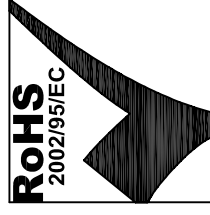
2.0 INDUCTANCE: (P4-P6)
(P3-P1)

3.0 DC RESISTANCE: (J6-J3)=(J2-J1)

: 1CT : 1CT ± 3%
: 1CT : 1CT ± 3%

: 350uH MIN. @ 0.1V, 100KHz, 8mA DC Bias
: 350uH MIN. @ 0.1V, 100KHz, 8mA DC Bias

: 2.0 ohms Max.



Bel Stewart Connector
11118 Susquehanna Trail, South
Glen Rock, Pa 17327-9199
717.234.7512



<http://www.stewartconnector.com>

THIS DRAWING AND THE SUBJECT MATTER SHOWN THEREON ARE CONFIDENTIAL AND PROPERTY OF BEL STEWART CONNECTOR AND SHALL NOT BE REPRODUCED, COPIED, OR USED IN ANY MANNER WITHOUT PRIOR WRITTEN CONSENT OF BEL STEWART CONNECTOR. THE SUBJECT MATTER MAY BE PATENTED OR A PATENT MAY BE PENDING.

SHEET 1 OF 4

DRAWING NO. SI-53021-F

REV. 05

4.0 RETURN LOSS: APPLY 100 OHMS LOAD EACH TO (P4-P6) AND (P1-P3)
1MHz TO 30MHz
31MHz TO 80MHz

NOTE: SOURCE APPLIED TO (J2-J1) OR (J3-J6).

5.0 INSERTION LOSS: $R_{Source}=R_{Load}=100$ OHMS
100KHz TO 100MHz

6.0 CROSS TALK: 1-100 MHz

7.0 COMMON TO COMMON MODE ATTENUATION: 1MHz TO 100MHz

8.0 RISE TIME: $R_S=100$ OHMS AND $R_L = 100$ OHMS
OUTPUT VOLTAGE = 1 V peak
PULSE WIDTH= 112ns

9.0 DIELECTRIC WITHSTAND: (J1, J2) TO (P1, P3)
(J3, J6) TO (P4,P6)

RECEIVE

: 18dB MIN.
: 12dB MIN.

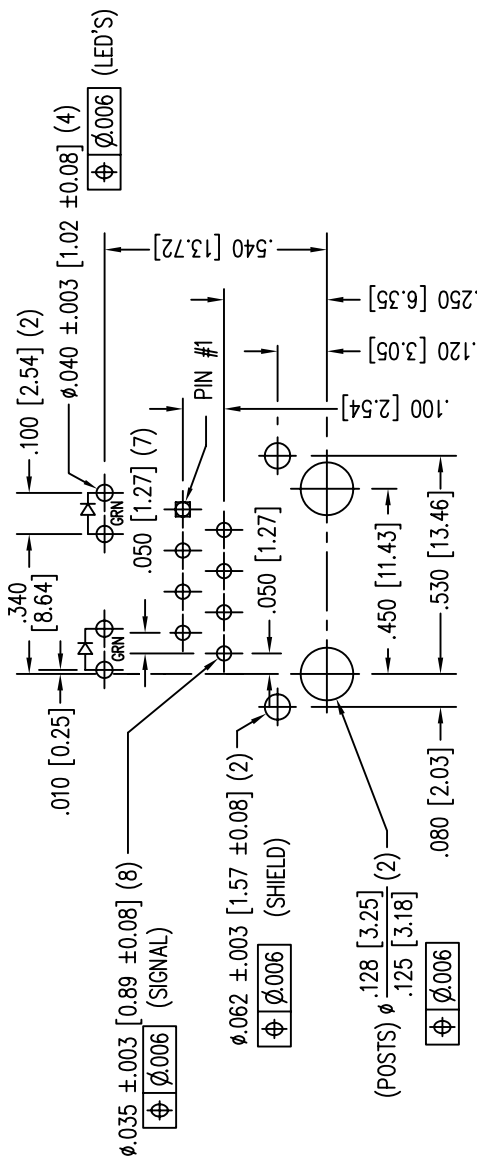
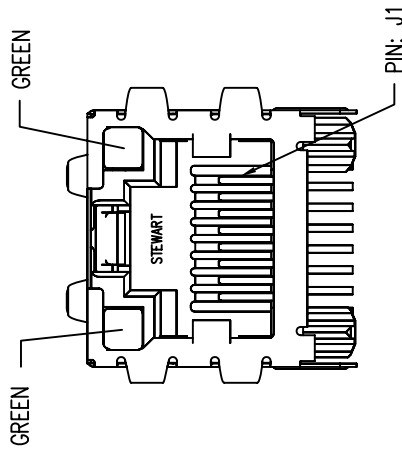
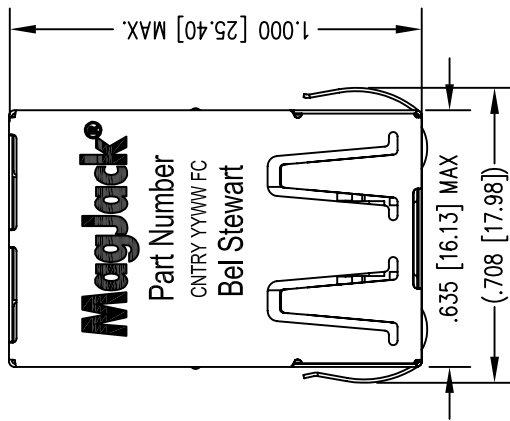
: 1.1 dB TYP

: 30 dB TYP

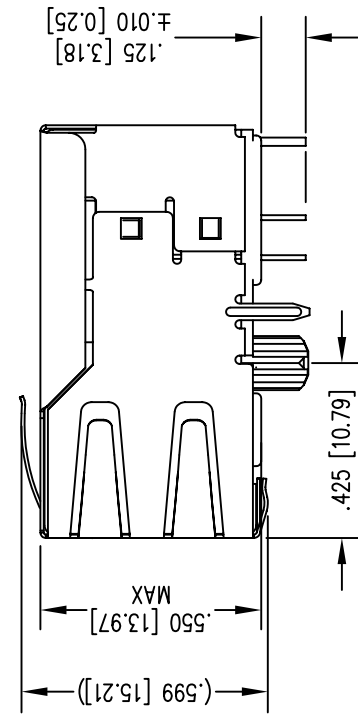
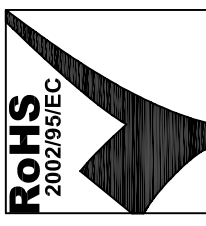
: 35dB TYP

: 3.0 nS MAX
: 3.0 nS MAX

: 1500 VAC
: 1500 VAC



P.C.B. RECOMMENDED HOLE LAYOUT
 SEEN FROM COMPONENT SIDE
 ALL CENTERLINE DIMENSIONS ARE BASIC.



NOTES:

- CONNECTOR MATERIALS:
 HOUSING: THERMOPLASTIC UL94 V-0
 CONTACT/SHIELD: COPPER ALLOY
 SHIELD PLATING: NICKEL OR TIN
 CONTACT PLATING: SELECTIVE GOLD.
 50 MICRO-INCHES MIN. IN CONTACT AREA.
- PIN NOT ELECTRICALLY CONNECTED MAYBE OMITTED.
 SEE ELECTRICAL DRAWING FOR OMITTED PINS.
- TOLERANCES COMPLY WITH F.C.C. DIMENSION REQUIREMENTS.
- ALL TOLERANCES NOT OTHERWISE SPECIFIED TO BE \pm .005 [0.13]
- REFLOW AND WAVE SOLDER COMPATIBLE -260°C FOR 10 SECONDS MAX.

LED SPECIFICATION		
STANDARD LED	WAVELENGTH	Forward V (MAX) * (TYP)
GREEN	565 nm	2.5 V 2.2 V

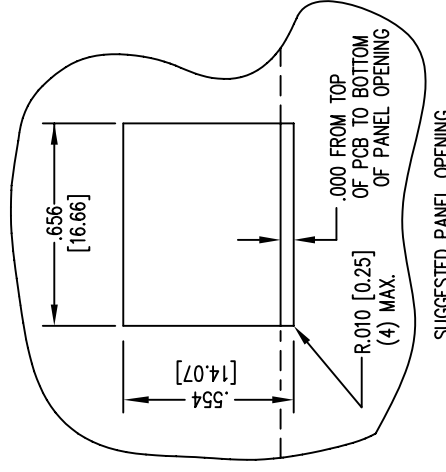
*WITH A FORWARD CURRENT OF 20 mA (TYP)

Bel Stewart Connector
 11118 Susquehanna Trail, South
 Glen Rock, Pa. 17327-9199
 717.234.7512
<http://www.stewartconnector.com>

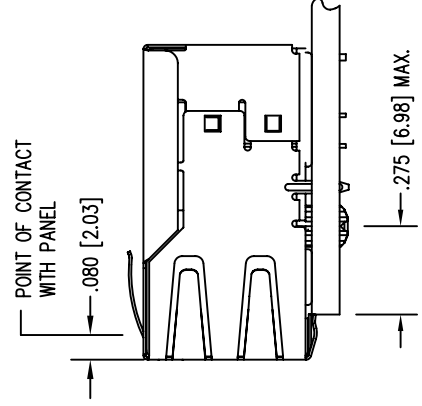


THIS DRAWING AND THE SUBJECT MATTER SHOWN THEREON ARE CONFIDENTIAL AND PROPERTY OF BEL STEWART
 CONNECTOR AND SHALL NOT BE REPRODUCED, COPIED, OR USED IN ANY MANNER WITHOUT PRIOR WRITTEN CONTENT
 BEL STEWART CONNECTOR. THE SUBJECT MATTER SHOWN THEREON MAY BE PATENTED OR A PATENT MAY BE PENDING
 IN THE UNITED STATES AND/OR IN OTHER COUNTRIES.

SHEET 3 OF 4
 DRAWING NO. S1-53021-F
 REV. 09



SUGGESTED PANEL OPENING



1. THE SUGGESTED PANEL OPENING IS INTENDED TO GIVE THE USER THE ABILITY TO HAVE REASONABLE JACK / PANEL CLEARANCES YET MAINTAIN RELIABLE GROUNDING CAPABILITY.
2. ALL TOLERANCES NOT OTHERWISE SPECIFIED TO BE ± 0.005 [0.13]

THIS DRAWING AND THE SUBJECT MATTER SHOWN THEREON ARE CONFIDENTIAL AND PROPERTY OF BEL STEWART CONNECTOR AND SHALL NOT BE REPRODUCED, COPIED, OR USED IN ANY MANNER WITHOUT PRIOR WRITTEN CONSENT OF BEL STEWART CONNECTOR. THE SUBJECT MATTER MAY BE PATENTED OR A PATENT MAY BE PENDING.

Bel Stewart Connector
 11118 Susquehanna Trail, South
 Glen Rock, Pa 17327-9199
 717.234.7512

MagJack®
<http://www.stewartconnector.com>

SHEET 4 OF 4 DRAWING NO. SI-53021-F REV. 09