



## Features

- Radial leaded devices
- Aids compliance with:
  - ITU-T K.20/21/45
  - Telcordia GR-1089-CORE
  - UL 60950, 3rd Ed.
- Narrow resistance tolerance
- RoHS compliant\*

## Applications

Used as a secondary overcurrent protection device in:

- Customer Premise Equipment (CPE)
- Central Office (CO)
- Access equipment

# CMF-RL Series - Telecom CPTC Resettable Fuses

### Electrical Characteristics

Model	Induction Voltage Withstand	Rated Voltage	Rated Resistance (RN)		Packaging Resistance Matching	Hold Current	Trip Current	I <sub>max</sub> @ 220 VAC	Time to Trip @ I <sub>max</sub> / 220 VAC
	VAC	Volts	Ohms	Tolerance	Ohms @ 25 °C	Amps @ 25 °C	Amps @ 25 °C	Amps @ 25 °C	Seconds @ 25 °C
CMF-RL10	600	220	10	±20 %	± 0.5	0.15	0.30	3	≤ 0.45
CMF-RL10-10	600	220	10	±10 %	± 0.5	0.15	0.30	3	≤ 0.45
CMF-RL25	600	220	25	±20 %	± 0.5	0.100	0.200	3	≤ 0.3
CMF-RL25U	600	220	25	±20 %	± 0.5	0.060	0.150	0.9	≤ 0.25
CMF-RL35	600	220	35	±20 %	± 0.5	0.075	0.150	3	≤ 0.15
CMF-RL35-10	600	220	35	±10 %	± 0.5	0.075	0.150	3	≤ 0.15
CMF-RL35A	600	220	35	±10 %	± 0.5	0.075	0.150	3	≤ 0.15
CMF-RL35A-10	600	220	35	±10 %	± 0.5	0.075	0.150	3	≤ 0.15
CMF-RL50	600	220	50	±20 %	± 0.5	0.065	0.150	3	≤ 0.15
CMF-RL50-10	600	220	50	±10 %	± 0.5	0.065	0.150	3	≤ 0.15
CMF-RL50A	600	220	50	±20 %	± 0.5	0.050	0.100	3	≤ 0.1
CMF-RL50A-10	600	220	50	±10 %	± 0.5	0.050	0.100	3	≤ 0.1
CMF-RL55	600	220	55	±20 %	± 0.5	0.065	0.150	3	≤ 0.15
CMF-RL55-10	600	220	55	±10 %	± 0.5	0.065	0.150	3	≤ 0.15
CMF-RL55A	600	220	55	±20 %	± 0.5	0.050	0.100	3	≤ 0.1
CMF-RL55A-10	600	220	55	±10 %	± 0.5	0.050	0.100	3	≤ 0.1

### Test Procedures And Requirements For Model CMF-RL Series

Test	Primary Protection	Test Condition	Requirements*
Mains Power Contact - ITU-T K.20, K.21....	None	230 V rms, 10 ohms, 15 Min.....	(Ri-Rf) / Ri < ±10 %
Power Induction - ITU-T K.20, K.21 .....	None	600V rms, 600 ohms, 0.2 seconds, 10 cycles, every 1 Min. ....	(Ri-Rf) / Ri < ±10 %
Power Induction - ITU-T K.20, K.21 .....	GDT	600 V rms, 600 ohms, 1 second, 10 cycles, every 1 Min. ....	(Ri-Rf) / Ri < ±10 %
Power Induction - ITU-T K.20, K.21 .....	GDT	600 V rms, 200 ohms, 1 second, 10 cycles, every 1 Min. ....	(Ri-Rf) / Ri < ±10 %
Lightning Surge - ITU-T K.20, K.21 .....		10/700 μs, 25 ohms, 1.0 kV, 10 Tests, every 1 Min. ....	(Ri-Rf) / Ri < ±10 %
Lightning Surge .....		10/1000 μs, 40 ohms, 1.0 kV, 30 Tests, every 3 Min. ....	(Ri-Rf) / Ri < ±10 %

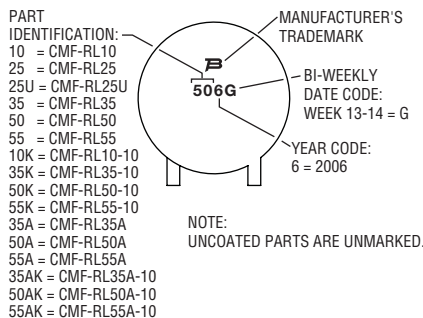
Ri = R initial    Rf = R final

Test	Model	Test Condition	Passing Criteria
UL 1950.....	CMF-RL50*	600 V / 2.2 A for 30 minutes. ....	No charring cheesecloth indicator
		600 V / 7 A for 5 seconds	
		600 V / 40 A for 1.5 seconds	

\*For other models, please contact Bourns.

### Typical Part Marking

Represents total content. Layout may vary.



### How to Order

Product Designator CMF - RL 50 A - 10 - 0

Style \_\_\_\_\_  
 RL = Telecom Radial Leaded CPTC

Rated Resistance (RN) \_\_\_\_\_  
 10-55 (10 Ohms - 55 Ohms)

Uncoated Option \_\_\_\_\_  
 U = Uncoated Part    Blank = Standard Part

Size Option \_\_\_\_\_  
 A = Reduced Size    Blank = Standard Size

Rated Resistance Tolerance \_\_\_\_\_  
 -10 = ±10 %    Blank = ±20 % (Standard)

Packaging Options \_\_\_\_\_  
 - 0 = Bulk Packaging - Plastic Tray

Alternative tolerances, resistances and lead lengths available on request.

\*RoHS Directive 2002/95/EC Jan 27 2003 including Annex.

Specifications are subject to change without notice.

Customers should verify actual device performance in their specific applications.

# CMF-RL Series - Telecom CPTC Resettable Fuses

**BOURNS®**

## Product Dimensions

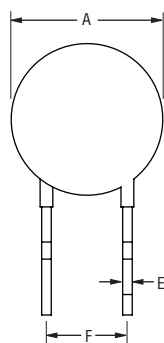
Model	A	B	C	D	E	F	Characteristics	
	Max.	Max.	Max.	Nom.	Nom.	Nom.	Material	Style
CMF-RL10	$\frac{9.5}{(0.374)}$	$\frac{4.5}{(0.177)}$	$\frac{13.5}{(0.531)}$	$\frac{3.5}{(0.138)}$	$\frac{0.6 \pm 0.05}{(0.024 \pm 0.019)}$	$\frac{5.0 \pm 0.2}{(0.197 \pm 0.008)}$	Sn/Cu	1
CMF-RL25	$\frac{9.8}{(0.386)}$	$\frac{5.0}{(0.197)}$	$\frac{13.5}{(0.531)}$	$\frac{3.0 - 3.5}{(0.118 - 0.138)}$	$\frac{0.6 \pm 0.05}{(0.024 \pm 0.019)}$	$\frac{5.0 \pm 0.3}{(0.197 \pm 0.012)}$	Sn/Cu	1
CMF-RL25U	$\frac{5.2}{(0.205)}$	$\frac{3.5}{(0.138)}$	$\frac{5.2}{(0.205)}$	$\frac{3.8}{(0.150)}$	$\frac{0.6 \pm 0.05}{(0.024 \pm 0.019)}$	$\frac{5.0 \pm 0.2}{(0.197 \pm 0.008)}$	Sn/Cu	2
CMF-RL35	$\frac{9.8}{(0.386)}$	$\frac{5.0}{(0.197)}$	$\frac{13.5}{(0.531)}$	$\frac{3.0 - 3.5}{(0.118 - 0.138)}$	$\frac{0.6 \pm 0.05}{(0.024 \pm 0.019)}$	$\frac{5.08 \pm 0.3}{(0.200 \pm 0.012)}$	Sn/Cu	1
CMF-RL35A	$\frac{7.5}{(0.295)}$	$\frac{5.6}{(0.220)}$	$\frac{13.0}{(0.512)}$	$\frac{3.5}{(0.138)}$	$\frac{0.6 \pm 0.05}{(0.024 \pm 0.019)}$	$\frac{5.0 \pm 0.2}{(0.197 \pm 0.008)}$	Sn/Cu	1
CMF-RL50	$\frac{9.8}{(0.386)}$	$\frac{5.0}{(0.197)}$	$\frac{13.5}{(0.531)}$	$\frac{3.0 - 3.5}{(0.118 - 0.138)}$	$\frac{0.6 \pm 0.05}{(0.024 \pm 0.019)}$	$\frac{5.08 \pm 0.3}{(0.200 \pm 0.012)}$	Sn/Cu	1
CMF-RL50A	$\frac{7.5}{(0.295)}$	$\frac{5.6}{(0.220)}$	$\frac{13.0}{(0.512)}$	$\frac{3.5}{(0.138)}$	$\frac{0.6 \pm 0.05}{(0.024 \pm 0.019)}$	$\frac{5.0 \pm 0.2}{(0.197 \pm 0.008)}$	Sn/Cu	1
CMF-RL55	$\frac{9.8}{(0.386)}$	$\frac{5.0}{(0.197)}$	$\frac{13.5}{(0.531)}$	$\frac{3.0 - 3.5}{(0.118 - 0.138)}$	$\frac{0.6 \pm 0.05}{(0.024 \pm 0.019)}$	$\frac{5.08 \pm 0.3}{(0.200 \pm 0.012)}$	Sn/Cu	1
CMF-RL55A	$\frac{7.5}{(0.295)}$	$\frac{5.6}{(0.220)}$	$\frac{13.0}{(0.512)}$	$\frac{3.5}{(0.138)}$	$\frac{0.6 \pm 0.05}{(0.024 \pm 0.019)}$	$\frac{5.0 \pm 0.2}{(0.197 \pm 0.008)}$	Sn/Cu	1

Packaging:

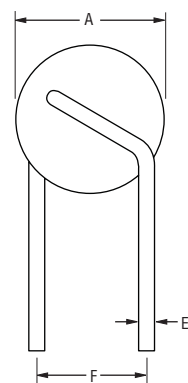
BULK: CMF-RL25U & CMF-RL50A = 700 pcs. per bag; all other models = 600 pcs. per tray.

DIMENSIONS:  $\frac{\text{MM}}{\text{(INCHES)}}$

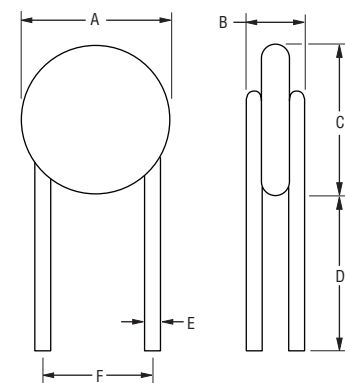
Style 1



Style 2



Style 3



CMF-RL SERIES, REV. Q, 03/04/10

Specifications are subject to change without notice.  
Customers should verify actual device performance in their specific applications.