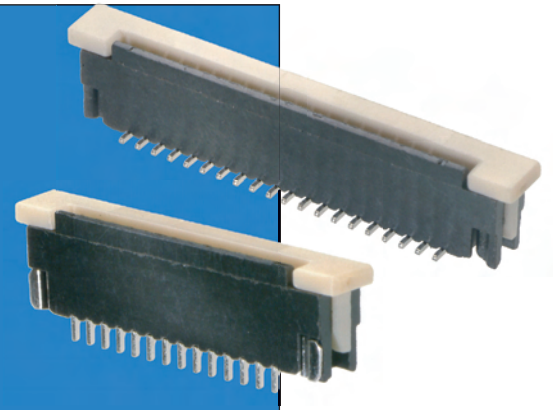


# FPC Connectors

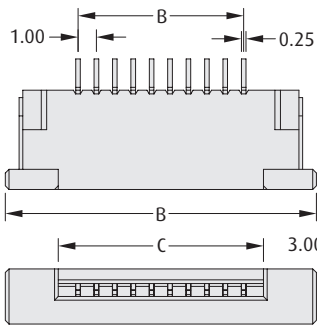
Surface Mount, 1.00mm (.040") Pitch

- ❖ 1mm Pitch available in three orientations.
- ❖ Zero insertion force.
- ❖ Metal solder-down tabs on horizontal connectors.
- ❖ Supplied in tape & reel packaging as standard.



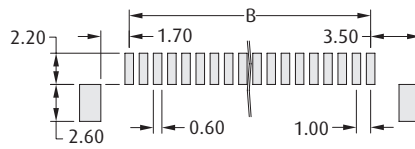
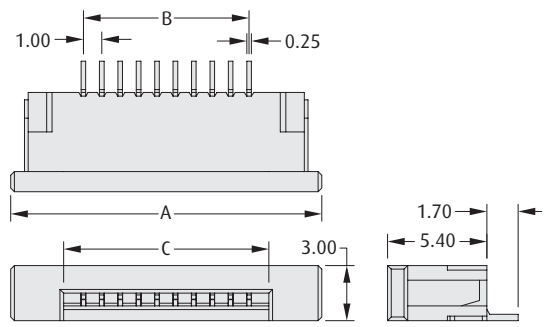
## HORIZONTAL TOP CONTACT

## HORIZONTAL BOTTOM CONTACT



### CALCULATION

<b>A</b>	$B + 5.00$
<b>B</b>	$0.50 \times (\text{Total no. of contacts} - 1)$
<b>C</b>	$B + 2.20$

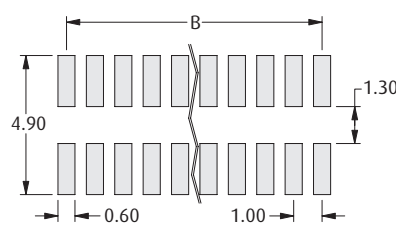
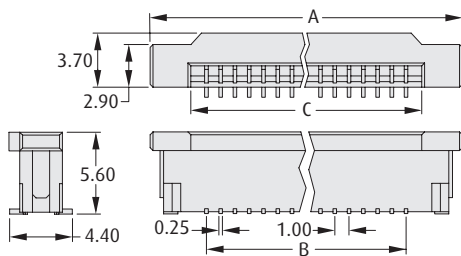


Recommended PC Board Pattern

## VERTICAL

### CALCULATION

<b>A</b>	$B + 8.00$
<b>B</b>	No. of ways per row - 1
<b>C</b>	$B + 2.20$



Recommended PC Board Pattern

## HOW TO ORDER

**F10 - 2 XX XX XX R**

SERIES CODE

TAPE & REELED

### TYPE

<b>80</b>	Horizontal, Bottom Contact
<b>90</b>	Horizontal, Top Contact
<b>95</b>	Vertical

### FINISH

**46** Tin

### NO. OF WAYS PER ROW

**03 to 30**

All dimensions in mm.

[www.harwin.com](http://www.harwin.com)

FPC

