



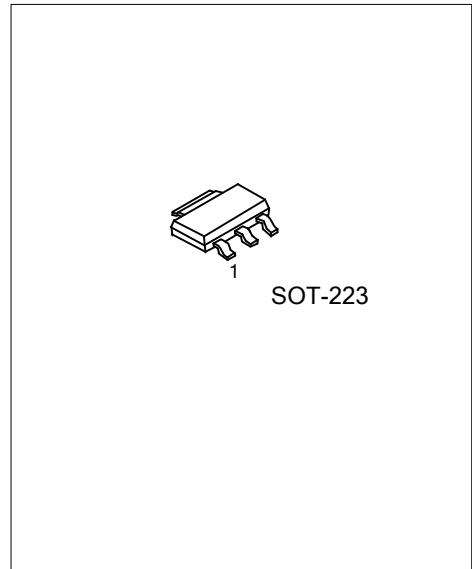
PZT1816

NPN PLANAR TRANSISTOR

HIGH CURRENT SWITCHING APPLICATIONS

■ FEATURES

- * Low collector-to-emitter saturation voltage
- * Good linearity of h_{FE}
- * Small and slim package facilitating compactness of sets.
- * High f_T
- * Fast switching speed



■ ORDERING INFORMATION

Ordering Number		Package	Pin Assignment			Packing
Lead Free	Halogen Free		1	2	3	
PZT1816L-x-AA3-R	PZT1816G-x-AA3-R	SOT-223	B	C	E	Tape Reel

<p>PZT1816L-x-AA3-R</p>	<p>(1) Packing Type</p> <p>(2) Package Type</p> <p>(3) Rank</p> <p>(4) Lead Free</p>	<p>(1) R: Tape Reel</p> <p>(2) AA3: SOT-223</p> <p>(3) x: refer to Classification of h_{FE1}</p> <p>(4) G: Halogen Free ,L: Lead Free</p>
-------------------------	--	--

■ ABSOLUTE MAXIMUM RATINGS (T_A =25°C)

PARAMETER		SYMBOL	RATINGS	UNIT
Collector-Base Voltage		V _{CBO}	120	V
Collector-Emitter Voltage		V _{CEO}	100	V
Emitter-Base Voltage		V _{EBO}	6	V
Collector Current	DC	I _C	4	A
	PULSE(Note 2)		8	A
Power Dissipation		P _D	1	W
Junction Temperature		T _J	+150	°C
Storage Temperature		T _{STG}	-40 ~ +150	°C

Note1: Absolute maximum ratings are those values beyond which the device could be permanently damaged.

Absolute maximum ratings are stress ratings only and functional device operation is not implied.

2: Duty=1/2, Pw=20ms

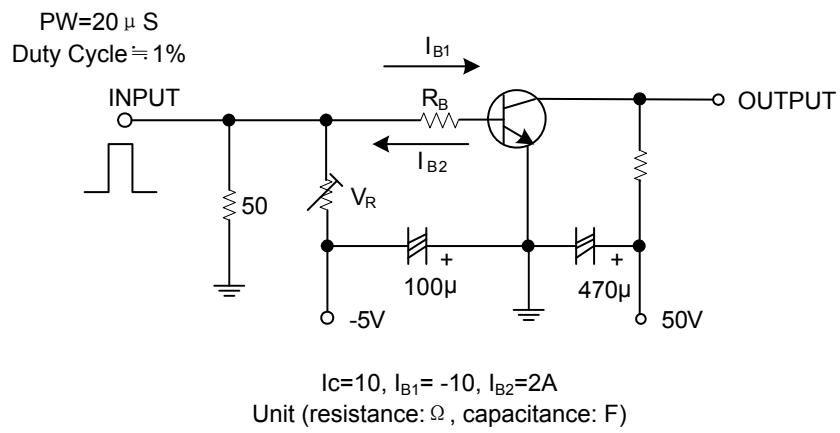
■ ELECTRICAL CHARACTERISTICS (T_A=25°C, unless otherwise specified)

PARAMETER	SYMBOL	TEST CONDITIONS	MIN	TYP	MAX	UNIT
Collector Base Breakdown Voltage	BV _{CBO}	I _C = 10μA, I _E = 0	120			V
Collector Emitter Breakdown Voltage	BV _{CEO}	I _C = 1mA, R _B = ∞	100			V
Emitter Base Breakdown Voltage	BV _{EBO}	I _E = 10μA, I _C = 0	6			V
Base-Emitter Saturation Voltage	V _{BE(SAT)}	I _C = 2A, I _B = 0.2A		0.9	1.2	V
Collector-Emitter Saturation Voltage	V _{CE(SAT)}	I _C = 2A, I _B = 0.2A		150	400	mV
Collector Cut-Off Current	I _{CB0}	V _{CB} = 100 V, I _E = 0			1	μA
Emitter Cut-Off Current	I _{EBO}	V _{EB} = 4V, I _C = 0			1	μA
DC Current Transfer Ratio	h _{FE1}	V _{CE} = 5V, I _C = 0.5A	70		400	
	h _{FE2}	V _{CE} = 5V, I _C = 3A	40			
Transition Frequency	f _T	V _{CE} = 10V, I _C = 0.5A		180		MHz
Output Capacitance	C _{ob}	V _{CB} = 10V, I _E = 0A, f = 1MHz		40		pF
Turn-on Time	t _{ON}	See test circuit		100		ns
Storage Time	t _{STG}	See test circuit		900		ns
Fall Time	t _F	See test circuit		50		ns

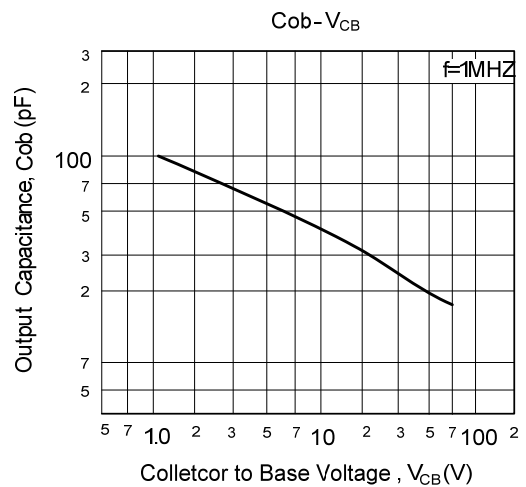
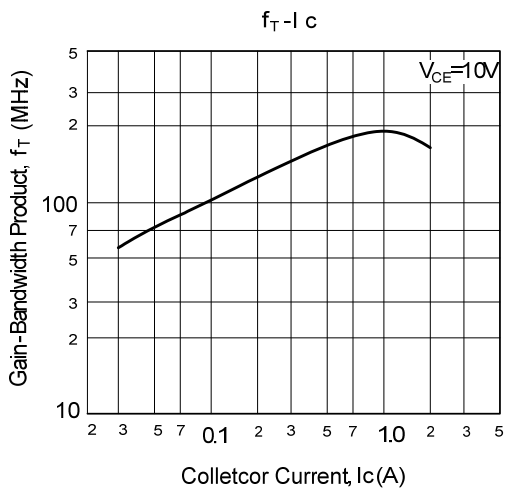
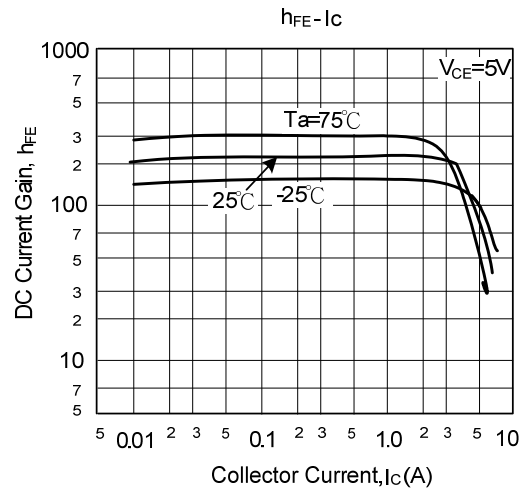
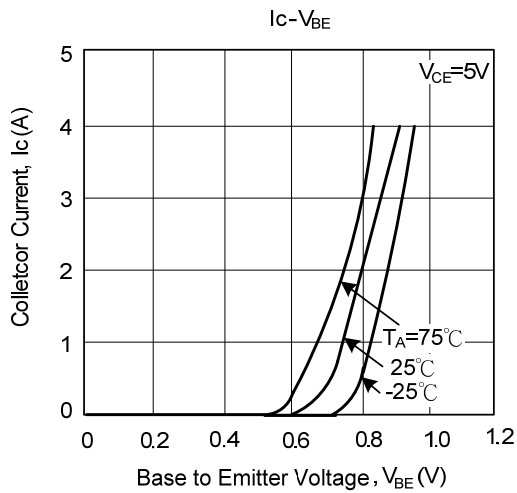
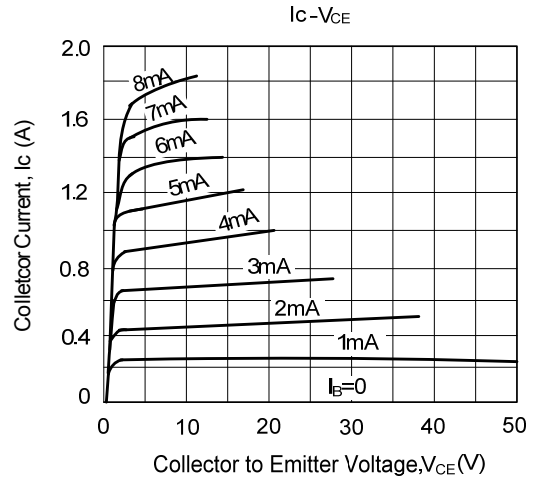
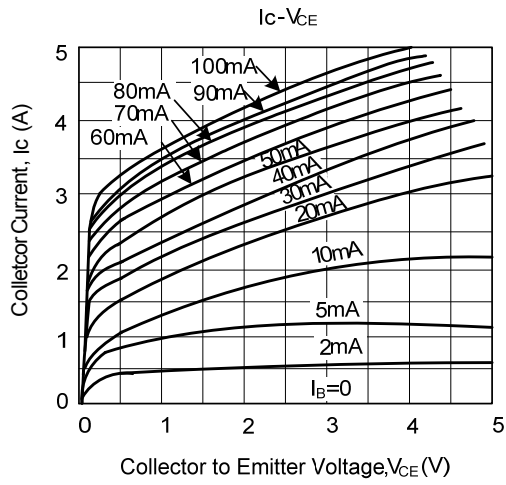
■ CLASSIFICATION of h_{FE1}

RANK	R	S	T	Q
RANGE	100 - 200	140 - 280	200 - 400	70 - 140

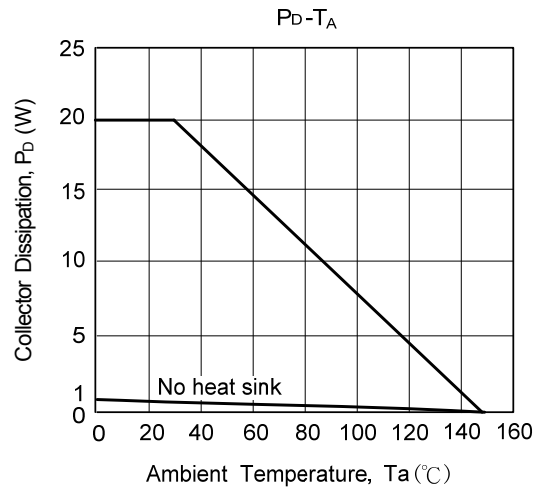
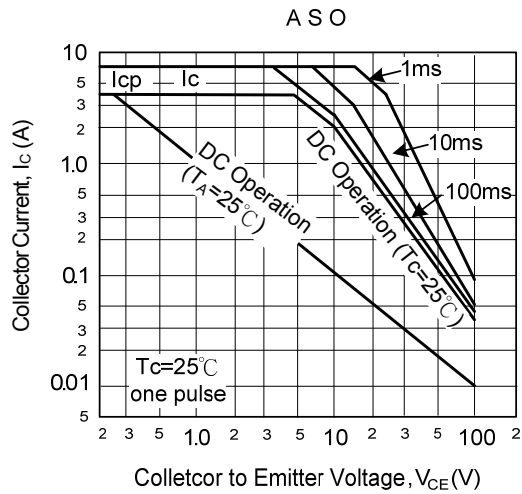
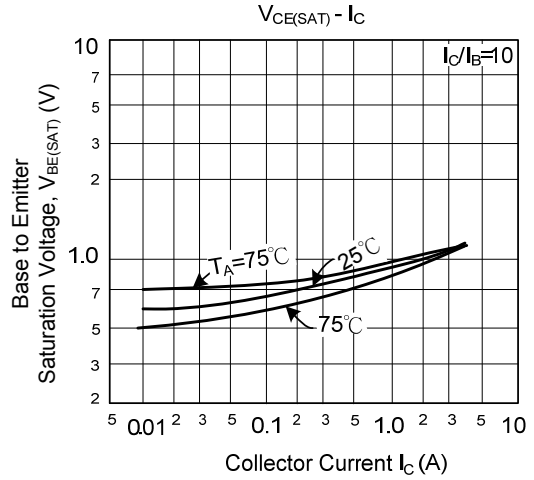
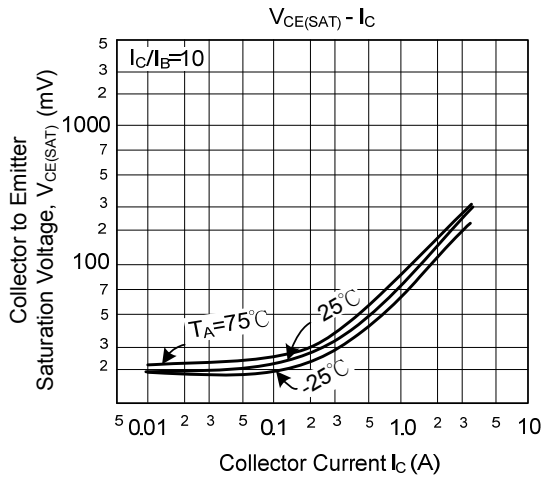
■ TEST CIRCUIT



■ TYPICAL CHARACTERISTICS



■ TYPICAL CHARACTERISTICS(Cont.)



UTC assumes no responsibility for equipment failures that result from using products at values that exceed, even momentarily, rated values (such as maximum ratings, operating condition ranges, or other parameters) listed in products specifications of any and all UTC products described or contained herein. UTC products are not designed for use in life support appliances, devices or systems where malfunction of these products can be reasonably expected to result in personal injury. Reproduction in whole or in part is prohibited without the prior written consent of the copyright owner. The information presented in this document does not form part of any quotation or contract, is believed to be accurate and reliable and may be changed without notice.