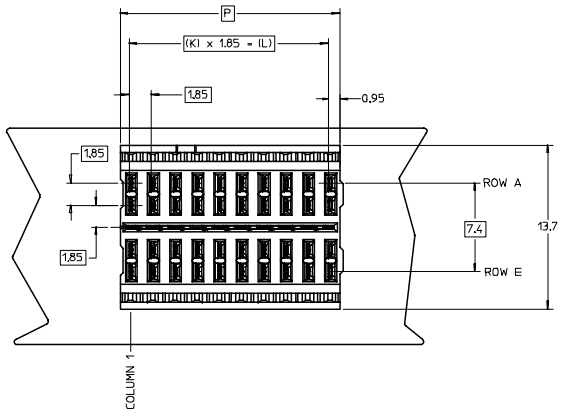
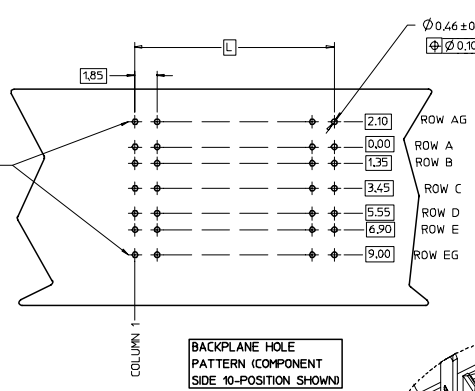


20 | 19 | 18 | 17 | 16 | 15 | 14 | 13 | 12 | 11 | 75827 | 9 | 8 | 7 | 6 | 5 | 4 | 3 | 2 | 1

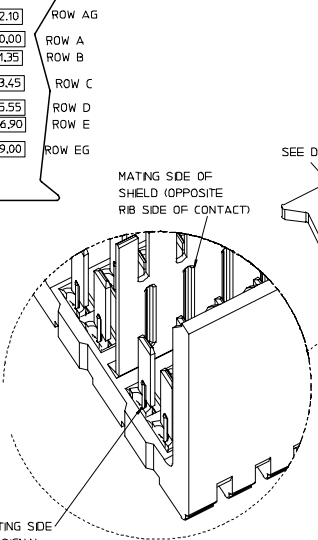


ROWS AG & EG RECOMMENDED FOR ALL APPLICATIONS. THESE ROWS SHOULD BE CONNECTED TO GROUND.

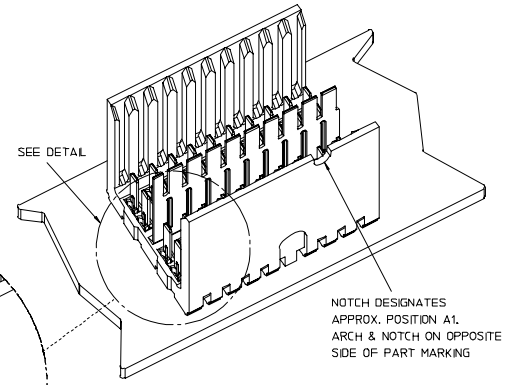


BACKPLANE HOLE PATTERN (COMPONENT SIDE 10-POSITION SHOWN)

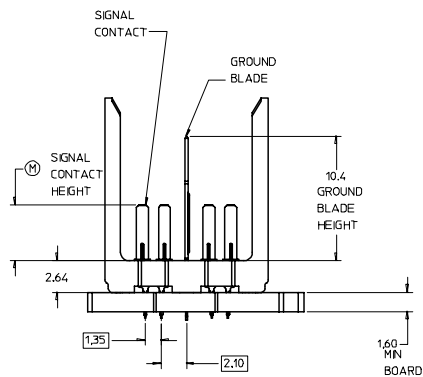
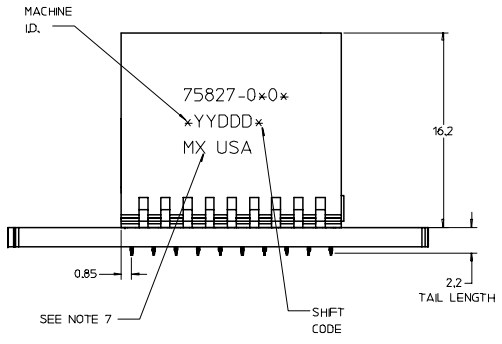
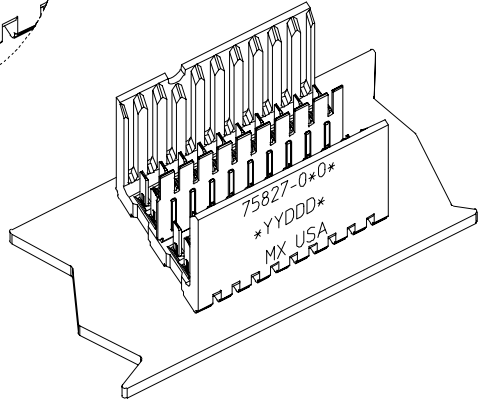
PLATED THRU HOLE (Ø0.57 DRILL) (Ø0.88 PAD) Ø0.46 ± 0.05 (±0.10)



DETAIL SCALE 10:1



NOTCH DESIGNATES APPROX. POSITION A1. ARCH & NOTCH ON OPPOSITE SIDE OF PART MARKING



- NOTES:
- MATERIAL: HOUSING - LIQUID CRYSTAL POLYMER (LCP) GLASS-FILLED. UL 94V-0. COLOR - BLACK. SIGNAL CONTACT AND GROUND BLADE - HIGH PERFORMANCE COPPER ALLOY.
  - FINISHES: SELECTIVE GOLD (Au) ON CONTACT AREA. SELECTIVE TIN/LEAD (SnPb) ON PCB TAILS. NICKEL (Ni) OVERALL.
  - THIS PART CONFORMS TO MOLEX PRODUCT SPECIFICATION PS-75221-999.
  - FOR MIXED CONTACT MATING LENGTHS CONSULT MOLEX FOR AVAILABILITY. CONTACT PAIRS MUST BE THE SAME LENGTH.
  - FOR SPECIFIC PART NUMBER AND MATING INFORMATION PLEASE REFER TO CHART.
  - PACKAGE PER PK-70873-575.
  - EITHER MARK PART NUMBER AND DATE CODE APPROXIMATELY WHERE SHOWN OR PLACE A LABEL ON THE TUBE.

75827-xx0\*

COLUMN 01 - 10 COL 02 - 25 COL

PN LENGTH DM 'M'

KEYING ORIENTATION OPEN = 0 (NONE)

ASSY PART NO.	K	L	P	TOTAL NO. OF DIFFERENTIAL PAIRS
75827-010*	9	16.65	18.35	20
75827-020*	24	44.40	46.10	50

INITIAL RELEASE EC NO: UCP2006-0268 DRWN: BINGHAM 2005/08/12 CHKD: SREED 2005/08/12 APPR: CBAXLER 2005/08/15	QUALITY SYMBOLS 0.0 0.0	GENERAL TOLERANCES (UNLESS SPECIFIED)		SCALE 5:1	DESIGN UNITS METRIC	THIRD ANGLE PROJECTION	REVISE ON CAD ONLY
		4 PLACES ±--- ±--- 3 PLACES ±--- ±--- 2 PLACES ±--- ±--- 1 PLACE ±--- ±---		DIMENSION STYLE MM ONLY		TITLE	
		ANGULAR ±---°		DRAWN BY NMARTIN	DATE 2005/06/28	GBX 2-PAIR OPEN END BACKPLANE SALES ASSEMBLY	
		DRAFT WHERE APPLICABLE MUST REMAIN WITHIN DIMENSIONS		CHECKED BY JMYCZEK	DATE 2005/06/28	MOLEX INCORPORATED	
				APPROVED BY SREED	DATE 2005/06/28	MATERIAL NO. SEE CHART	DOCUMENT NO. SD-75827-010
				THIS DRAWING CONTAINS INFORMATION THAT IS PROPRIETARY TO MOLEX INCORPORATED AND SHOULD NOT BE USED WITHOUT WRITTEN PERMISSION			
						SHEET NO. 1 OF 1	

19 | 18 | 17 | 16 | 15 | 14 | 13 | 12 | 11 | 10 | 9 | 8 | 7 | 6 | 5 | 4 | 3 | 2 | 1