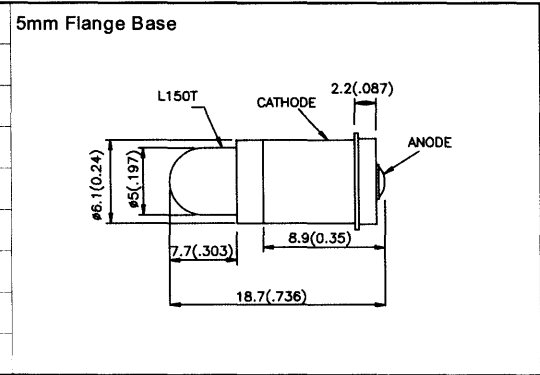
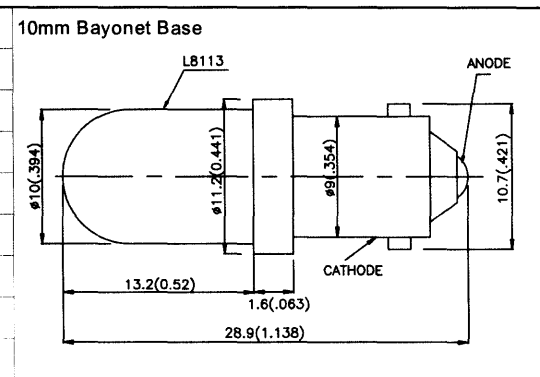


Part No.	Emitting Color + Material	λ D (nm)	Lens Type	Iv (mcd)		Viewing Angle	Dimension
				V=12V, Min.	V=28V, Typ.		

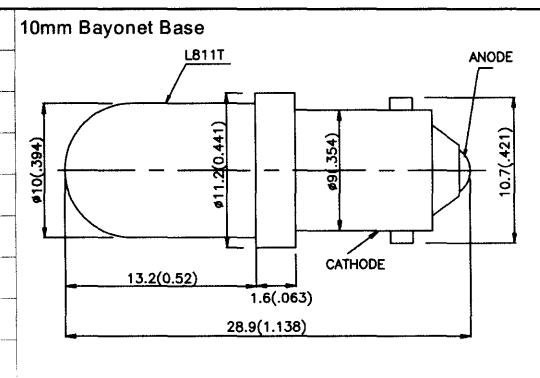
BLF052SURC/E-6V	InGaAlP	630	water clear	600	1200	45°	5mm Flange Base
BLF052SURC/E12V	InGaAlP	630	water clear	600	1000	45°	
BLF052SURC/E28V	InGaAlP	630	water clear	480	1000	45°	
BLF052MGC-6V-P	InGaAlP	568	water clear	150	300	45°	
BLF052MGC-12V-P	InGaAlP	568	water clear	150	300	45°	
BLF052MGC-28V-P	InGaAlP	568	water clear	70	200	45°	
BLF052SYC-6V-P	InGaAlP	588	water clear	200	400	45°	
BLF052SYC-12V-P	InGaAlP	588	water clear	200	400	45°	
BLF052SYC-28V-P	InGaAlP	588	water clear	280	450	45°	



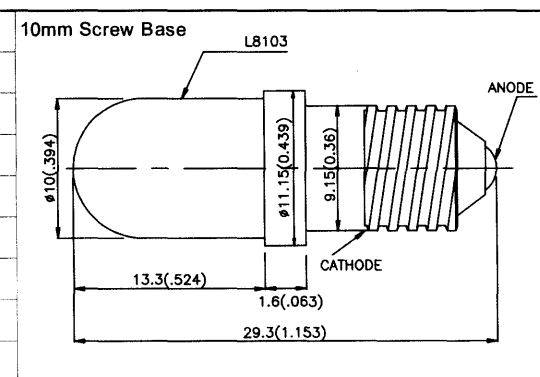
BLB101SURC/E-6V	InGaAlP	630	water clear	1000	2200	20°	10mm Bayonet Base
BLB101SURC/E12V	InGaAlP	630	water clear	800	1800	20°	
BLB101SURC/E28V	InGaAlP	630	water clear	480	930	20°	
BLB101MGC-6V-P	InGaAlP	568	water clear	400	900	20°	
BLB101MGC-12V-P	InGaAlP	568	water clear	350	800	20°	
BLB101MGC-28V-P	InGaAlP	568	water clear	110	300	20°	
BLB101SYC-6V-P	InGaAlP	590	water clear	650	1300	20°	
BLB101SYC-12V-P	InGaAlP	590	water clear	550	1200	20°	
BLB101SYC-28V-P	InGaAlP	590	water clear	180	380	20°	



BLB102SURC/E-6V	InGaAlP	630	water clear	1000	2200	40°	10mm Bayonet Base
BLB102SURC/E12V	InGaAlP	630	water clear	800	1800	40°	
BLB102SURC/E28V	InGaAlP	630	water clear	650	1300	40°	
BLB102MGC-6V-P	InGaAlP	568	water clear	400	900	40°	
BLB102MGC-12V-P	InGaAlP	568	water clear	350	800	40°	
BLB102MGC-28V-P	InGaAlP	568	water clear	180	400	40°	
BLB102SYC-6V-P	InGaAlP	590	water clear	650	1300	40°	
BLB102SYC-12V-P	InGaAlP	590	water clear	550	1200	40°	
BLB102SYC-28V-P	InGaAlP	590	water clear	380	600	40°	



BLS101SURC/E-6V	InGaAlP	630	water clear	1000	2200	20°	10mm Screw Base
BLS101SURC/E12V	InGaAlP	630	water clear	800	1800	20°	
BLS101SURC/E28V	InGaAlP	630	water clear	480	900	20°	
BLS101MGC-6V-P	InGaAlP	568	water clear	400	900	20°	
BLS101MGC-12V-P	InGaAlP	568	water clear	350	800	20°	
BLS101MGC-28V-P	InGaAlP	568	water clear	110	350	20°	
BLS101SYC-6V-P	InGaAlP	590	water clear	650	1300	20°	
BLS101SYC-12V-P	InGaAlP	590	water clear	550	1200	20°	
BLS101SYC-28V-P	InGaAlP	590	water clear	280	350	20°	



NOTES :
 1. All dimensions are in millimeters (inches)
 2. Tolerance is ±0.25mm(0.01") unless otherwise noted.