



Features


- ◇ For IF SAW filter
- ◇ High attenuation
- ◇ Single-ended operation
- ◇ Dual In-line Package
- ◇ RoHS compliant (2002/95/EC), Pb-free

Specifications

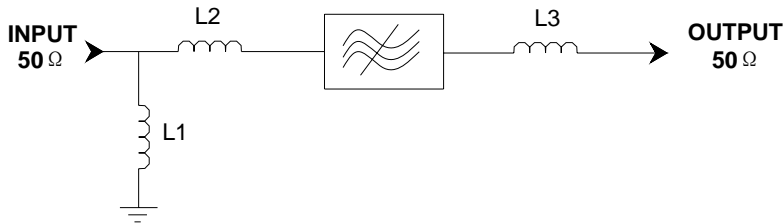
Parameter	Unit	Minimum	Typical	Maximum
Center Frequency	MHz	199	200	201
Insertion Loss	dB	-	24.6	28
1.5 dB Bandwidth	MHz	75	77.72	-
3 dB Bandwidth	MHz	-	78.88	-
45 dB Bandwidth	MHz	-	85.8	100
Passband Variation	dB	-	0.8	1.5
Absolute Delay	usec	-	0.97	-
Ultimate Rejection($f_0 \pm 53\text{MHz}$)	dB	45	55	-
Material Temperature coefficient	KHz/°C	-16.4		
Substrate Material	-	128LN		
Ambient Temperature	°C	25		
DC Voltage	V	0		
Input Power	dBm	-	-	10
ESD Class	-	1A		
Package Size	DIP2212 (22.2x12.8x4.7mm3)			

Notes:

1. All specifications are based on the test circuit shown;
2. In production, all specifications are measured by Agilent Network analyzer and full 2 port calibration at room temperature;
3. Electrical margin has been built into the design to account for the variations due to temperature drift and manufacturing tolerances;
4. This is the optimum impedance in order to achieve the performance show.

	SIPAT Co., Ltd. (CETC No.26 Research Institute) #14 Nanping Huayuan Road, Chongqing, China, 400060	Part Number	LBN20010	
		Rev. Date	2009-10-21	
		Ver.	1.0	Page 1/3

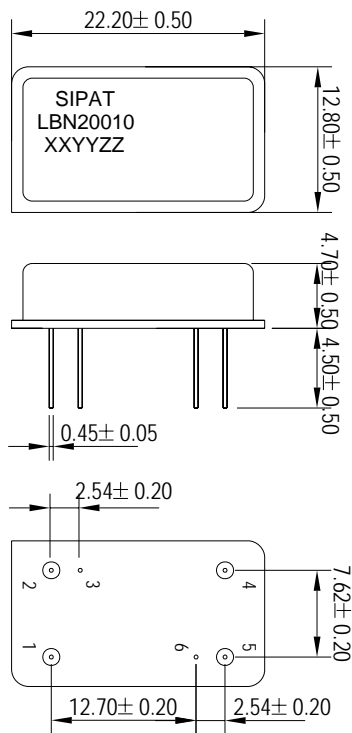
Matching Configuration



L1=39nH L2=22nH
L3=47nH
Source/Load Impedance=50 ohm

Notes - Component values may change depending
on board layout.

Package Dimension



Pad Configuration:

Input 1
Output 5
Ground All Others

Marking Configuration:

- 1) SIPAT: Manufacturer Name
- 2) LBN20010: Part Number
- 3) XXYY: Date(Year/month)
- 4) ZZ: Identified Code

Package: DIP2212

Unit: mm

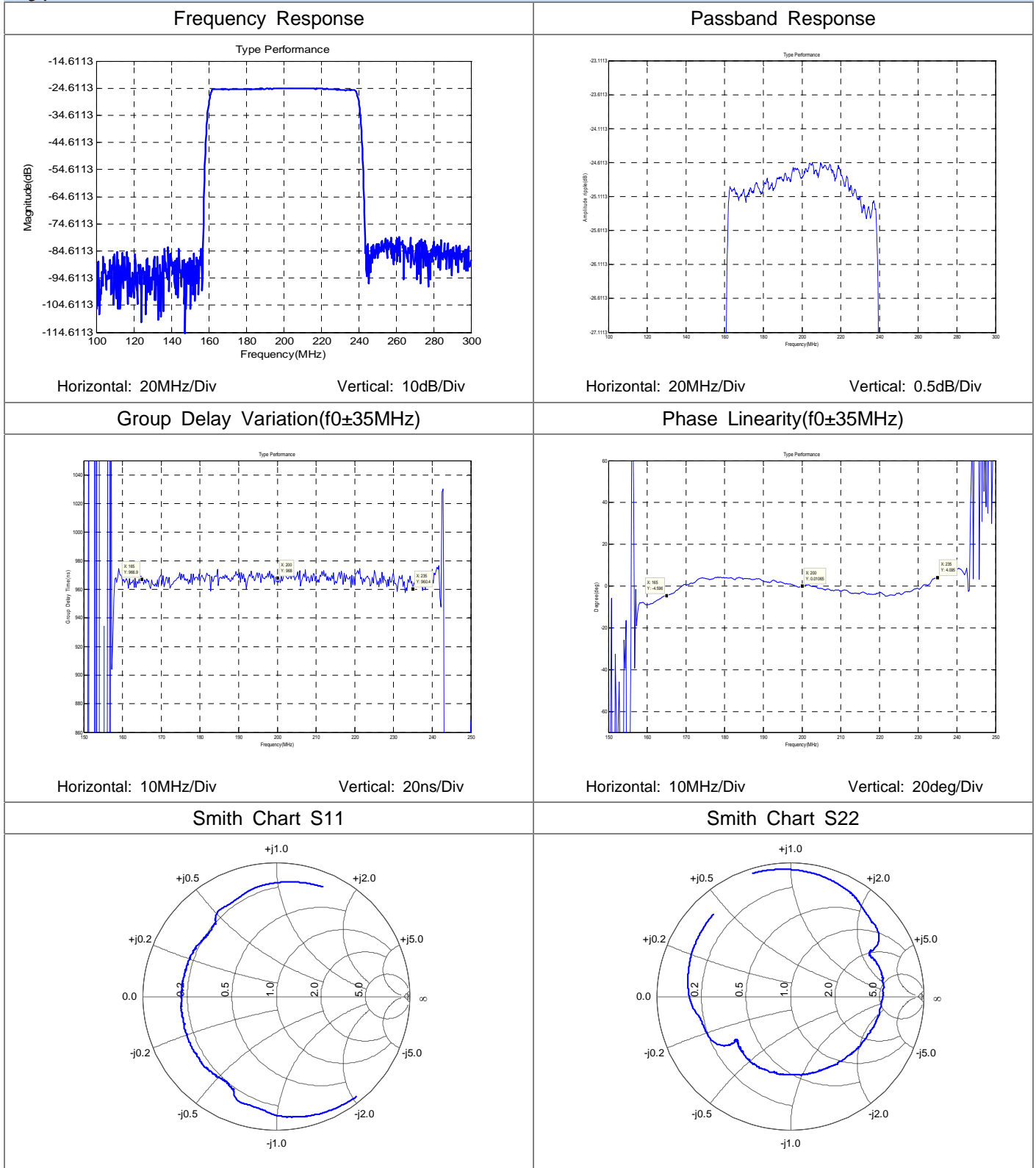


SIPAT Co., Ltd.
(CETC No.26 Research Institute)
#14 Nanping Huayuan Road,
Chongqing, China, 400060

Part Number	LBN20010	
Rev. Date	2009-10-21	
Ver.	1.0	Page 2/3



Typical Performance



SIPAT Co., Ltd.
(CETC No.26 Research Institute)
#14 Nanping Huayuan Road,
Chongqing, China, 400060

Part Number	LBN20010	
Rev. Date	2009-10-21	
Ver.	1.0	Page 3/3