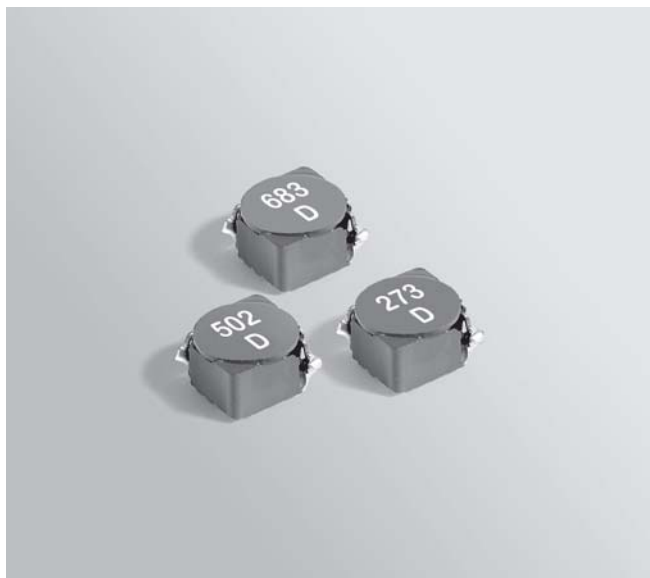


SMT Power Inductors – MSS7341



- 6.6 × 6.6 mm footprint; 4.1 mm high shielded inductors
- Low DCR and excellent current handling

Designer's Kit C385 contains 3 each of all values.

Core material Ferrite

Core and winding loss See www.coilcraft.com/coreloss

Terminations RoHS compliant matte tin over nickel over phos bronze (current production) or gold over nickel over phos bronze (prior production). Other terminations available at additional cost.

Weight: 0.61 – 0.67 g

Ambient temperature –40°C to +85°C with I_{rms} current, +85°C to +125°C with derated current

Storage temperature Component: –40°C to +125°C.

Packaging: –40°C to +80°C

Resistance to soldering heat Max three 40 second reflows at +260°C, parts cooled to room temperature between cycles

Moisture Sensitivity Level (MSL) 1 (unlimited floor life at <30°C / 85% relative humidity)

Failures in Time (FIT) / Mean Time Between Failures (MTBF)

38 per billion hours / 26,315,789 hours, calculated per Telcordia SR-332

Packaging 1200/13" reel; Plastic tape: 16 mm wide, 0.35 mm thick, 12 mm pocket spacing, 4.5 mm pocket depth

PCB washing Only pure water or alcohol recommended

Part number ¹	Inductance ² (μ H)	DCR max (Ohms)	SRF typ ³ (MHz)	Isat (A) ⁴			Irms (A) ⁵	
				10% drop	20% drop	30% drop	20°C rise	40°C rise
MSS7341-332NL_	3.3 ±30%	0.020	58.0	2.74	3.28	3.72	3.95	5.00
MSS7341-502NL_	5.0 ±30%	0.024	46.0	2.30	2.82	3.16	3.40	4.70
MSS7341-622NL_	6.2 ±30%	0.027	42.0	2.18	2.66	2.98	3.05	4.30
MSS7341-742NL_	7.4 ±30%	0.031	40.0	1.92	2.32	2.56	2.80	4.10
MSS7341-872NL_	8.7 ±30%	0.034	35.0	1.78	2.12	2.36	2.80	3.90
MSS7341-103ML_	10 ±20%	0.038	32.0	1.64	1.92	2.10	2.80	3.80
MSS7341-123ML_	12 ±20%	0.053	26.2	1.48	1.76	1.92	2.45	3.30
MSS7341-153ML_	15 ±20%	0.057	24.0	1.36	1.60	1.78	2.05	3.00
MSS7341-183ML_	18 ±20%	0.078	22.5	1.20	1.46	1.62	1.85	2.65
MSS7341-223ML_	22 ±20%	0.082	21.5	1.02	1.26	1.42	1.70	2.35
MSS7341-273ML_	27 ±20%	0.109	19.0	1.00	1.14	1.22	1.50	2.10
MSS7341-333ML_	33 ±20%	0.124	18.0	0.91	1.04	1.16	1.50	1.95
MSS7341-393ML_	39 ±20%	0.138	17.0	0.85	1.01	1.12	1.50	1.90
MSS7341-473ML_	47 ±20%	0.155	14.2	0.74	0.92	1.00	1.50	1.85
MSS7341-563ML_	56 ±20%	0.202	13.4	0.68	0.80	0.87	1.25	1.60
MSS7341-683ML_	68 ±20%	0.276	12.0	0.62	0.73	0.80	1.00	1.35
MSS7341-823ML_	82 ±20%	0.324	11.0	0.57	0.66	0.72	1.00	1.25
MSS7341-104ML_	100 ±20%	0.358	10.5	0.54	0.64	0.71	0.90	1.15
MSS7341-224ML_	220 ±20%	0.780	5.0	0.35	0.41	0.47	0.57	0.78
MSS7341-474ML_	470 ±20%	1.45	3.0	0.24	0.28	0.32	0.43	0.57

1. Please specify **termination** and **packaging** codes:

MSS7341-474ML D

Termination: L = RoHS compliant matte tin over nickel over phos bronze (current production) or gold over nickel over phos bronze (prior production)

Special order:

T = RoHS tin-silver-copper (95.5/4/0.5) over gold over nickel over phos bronze or

S = non-RoHS tin-lead (63/37) over gold over nickel over phos bronze.

Packaging: D = 13" machine-ready reel. EIA-481 embossed plastic tape (1200 parts per full reel).

B = Less than full reel. In tape, but not machine ready.

To have a leader and trailer added (\$25 charge), use code letter D instead.

- Inductance measured at 100 kHz, 0.1 Vrms, 0 Adc using a Coilcraft SMD-A fixture in an Agilent/HP 4263B LCR meter.
- SRF measured using an Agilent/HP 8753D network analyzer and a Coilcraft SMD-D test fixture.
- DC current at which the inductance drops the specified amount from its value without current.
- Current that causes the specified temperature rise from 25°C ambient.
- Electrical specifications at 25°C.

Refer to Doc 362 "Soldering Surface Mount Components" before soldering.

SPICE models ON OUR WEB SITE OR CD

Coilcraft[®]

Specifications subject to change without notice.
Please check our website for latest information.

Document 383-1 Revised 01/03/11

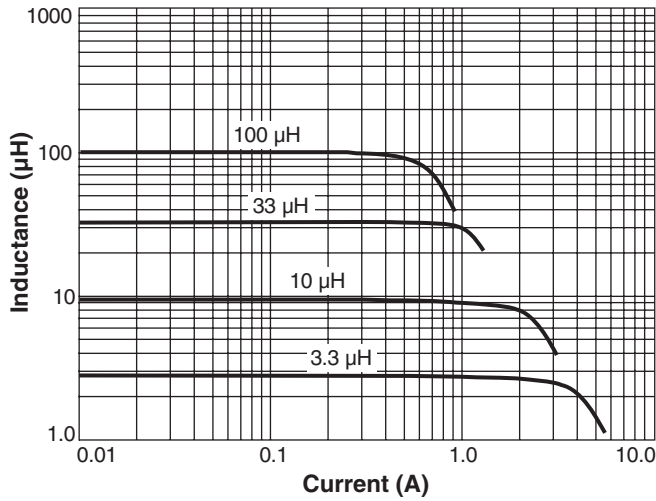
1102 Silver Lake Road Cary, Illinois 60013 Phone 847/639-6400 Fax 847/639-1469

E-mail info@coilcraft.com Web <http://www.coilcraft.com>

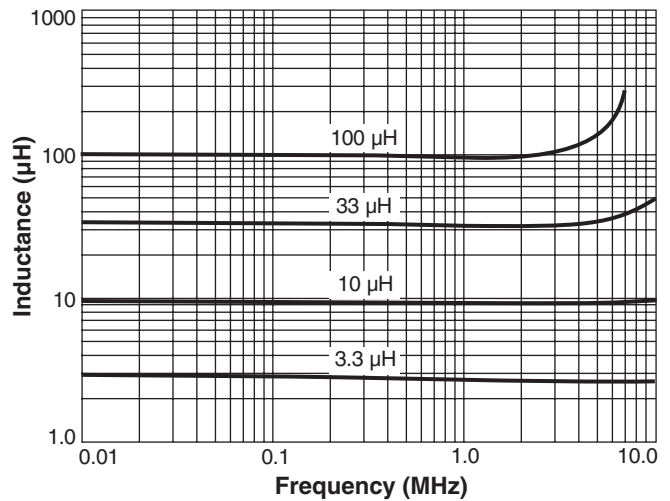


SMT Power Inductors – MSS7341

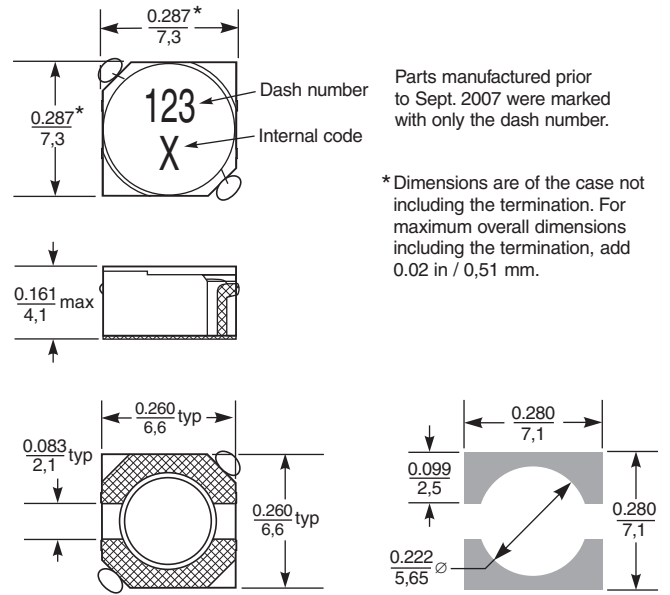
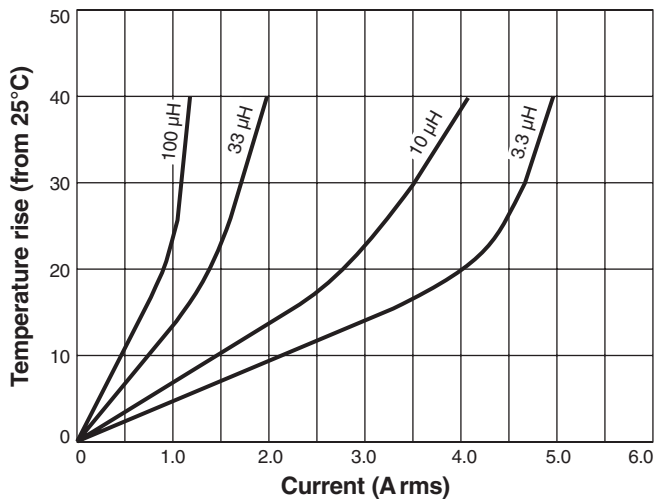
Typical L vs Current



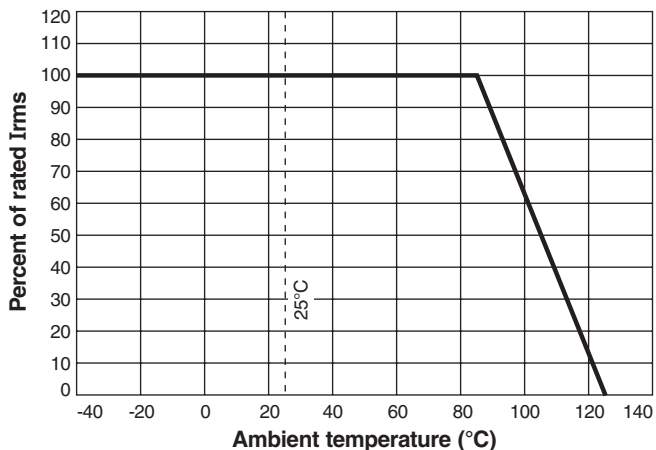
Typical L vs Frequency



Temperature Rise vs Current



Irms Derating



Specifications subject to change without notice. Please check our website for latest information.

Document 383-2 Revised 01/03/11