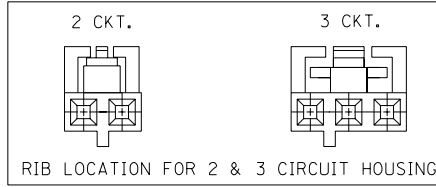


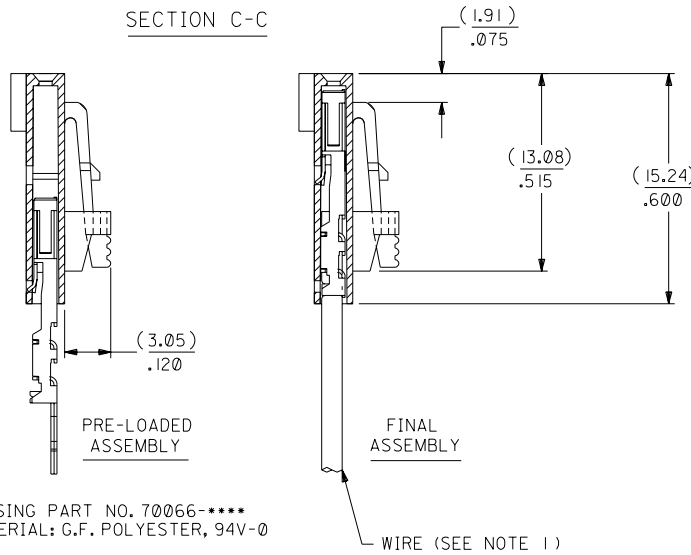
OPTION G

NOTES:

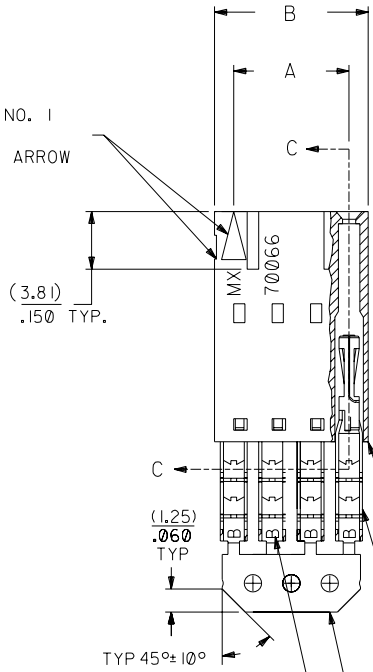
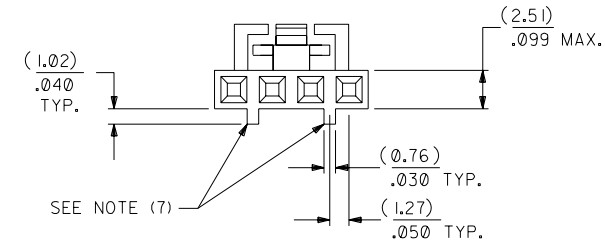
- TO BE USED WITH (26) AWG. STRANDED WIRE WITH (1.35)/.053 DIA. MAX. INSULATION.
- SEE CHART FOR CIRCUIT SIZES.
- STANDARD PACKAGING PER PK-70873-0001. OPTIONAL PACKAGING MAY BE AVAILABLE, REQUEST DWG. PK-70400
- PARTS STACKABLE END TO END ON (2.54)/.100 CENTERS.
- REFER TO PRODUCT SPECIFICATION: PS-70400.
- SEE DWG. SDA-70400-**** (SHT. 5) FOR OPTIONAL HOUSING DETAILS.
- 4 CIRCUIT SHOWN. 4 - 25 CKT'S. HAVE (2) RIBS.
- TO MATE WITH MOLEX PART NO'S.: A-70373-****, A-70375-****, A-70389-****, A-70391-****, 70107-****, 70018-****, A-70543-****, A-70553-****, A-70541-****, A-70551-****, A-70545-****, A-70555-****.
- 2 CIRCUIT ASSEMBLIES SUPPLIED AS GROUPED PAIRS.



SECTION C-C



CIRCUIT NO. 1
SLOT OR ARROW



I.D. SLOT CODE TO WIRE GAUGE CHART	
I.D. SLOT CODE	WIRE GAUGE
B	26 AWG.

PLATING CODE (STRIPE ON CARRIER STRIP)	
PLATING	COLOR
15 GOLD	YELLOW

TERMINAL PART NO. 70028-****
MATERIAL: PHOSPHOR BRONZE
PLATING PER ES-88-***

15 GOLD - .000015 MIN. GOLD IN SELECT AREA WITH .000075 MIN. TIN IN SELECT AREA OVER .000050 MIN. NICKEL OVER-ALL.

*THE PRIMARY SHIPPING CARTON WILL BE LABELED "COMPLIANT TO ROHS DIRECTIVE 2002/95/EC AND ELV ANNEX II OF DIRECTIVE 2000/53/EC". CARTONS WITHOUT THIS LABEL MAY CONTAIN PRODUCT WITH LEAD.

CKT. SIZE	A	B	EDP. NO.	ENG. NO.
2	(2.54) .100	(5.05) .199	14-56-2024	A-70400-0841
3	(5.08) .200	(7.59) .299	14-56-2034	A-70400-0842
4	(7.62) .300	(10.13) .399	14-56-2044	A-70400-0843
5	(10.16) .400	(12.67) .499	14-56-2054	A-70400-0844
6	(12.70) .500	(15.21) .599	14-56-2064	A-70400-0845
7	(15.24) .600	(17.75) .699	14-56-2074	A-70400-0846
8	(17.78) .700	(20.29) .799	14-56-2084	A-70400-0847
9	(20.32) .800	(22.83) .899	14-56-2094	A-70400-0848
10	(22.86) .900	(25.37) .999	14-56-2104	A-70400-0849
11	(25.54) 1.000	(27.91) 1.099	14-56-2114	A-70400-0850
12	(27.94) 1.100	(30.45) 1.199	14-56-2124	A-70400-0851
13	(30.48) 1.200	(32.99) 1.299	14-56-2134	A-70400-0852
14	(33.02) 1.300	(35.53) 1.399	14-56-2144	A-70400-0853
15	(35.56) 1.400	(38.07) 1.499	14-56-2154	A-70400-0854
16	(38.01) 1.500	(40.61) 1.599	14-56-2164	A-70400-0855
17	(40.64) 1.600	(43.15) 1.699	14-56-2174	A-70400-0856
18	(43.18) 1.700	(45.69) 1.799	14-56-2184	A-70400-0857
19	(45.72) 1.800	(48.23) 1.899	14-56-2194	A-70400-0858
20	(48.26) 1.900	(50.77) 1.999	14-56-2204	A-70400-0859
21	(50.80) 2.000	(53.31) 2.099	14-56-2214	A-70400-0860
22	(53.34) 2.100	(55.85) 2.199	14-56-2224	A-70400-0861
23	(55.88) 2.200	(58.39) 2.299	14-56-2234	A-70400-0862
24	(58.42) 2.300	(60.93) 2.399	14-56-2244	A-70400-0863
25	(60.96) 2.400	(63.47) 2.499	14-56-2254	A-70400-0864

LTR.	REVISIONS	LTR.	REVISIONS

ADD CARRIER CHAMF ECN #UDT1998-0280 05/20/98 LMCGRATH	REVISOR G	DATE 05/20/98
LEAD FREE UCP2004-1769 RWHTIE 04/03/17	REVISOR H	DATE 04/03/17
REVISOR G	DATE 05/20/98	
REVISOR F	DATE 07-10-89	

DIMENSIONS SHOWN (METRIC) INCH UNLESS OTHERWISE SPECIFIED TOLERANCES: ANGULAR ± 1/2°		MFG. SH. REV.	
3 PLACE ± .010 INCH METRIC ---		REVISE ONLY ON CAD SYSTEM	
2 PLACE ± .014 ± 0.25		TITLE ASSEMBLY, SL CONNECTOR (SINGLE ROW- (2.54)/.100 GRID)	
1 PLACE --- ± 0.35		MOLEX INCORPORATED SHEET NO. DATE LITSE, ILL. 60532 U.S.A. 10/10/84	
DRAWING INFORMATION		PART NO. DRWG. NO. SEE CHART SDA-70400-0841-0864	
DRWG. BY: WAZ CHK'D BY: WAZ		FILE NAME: 570400GX5	
APP'D BY: SCALE: 4:1		THIS DRAWING CONTAINS INFORMATION THAT IS PROPRIETARY TO MOLEX INC. AND SHOULD NOT BE USED WITHOUT WRITTEN PERMISSION.	
LITSE, ILL. 60532 U.S.A.		DIV. SIZE DA C	