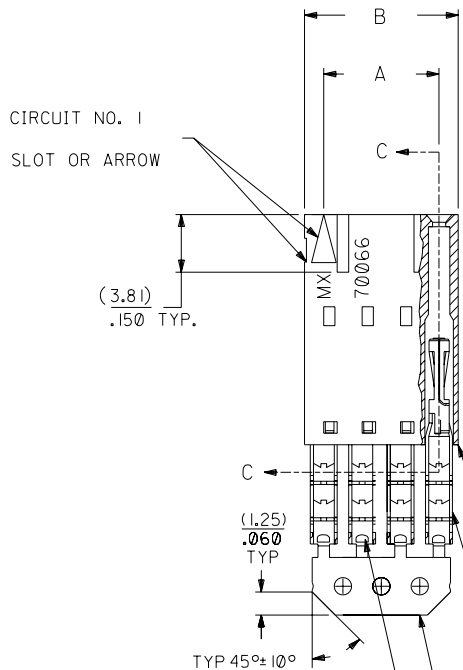
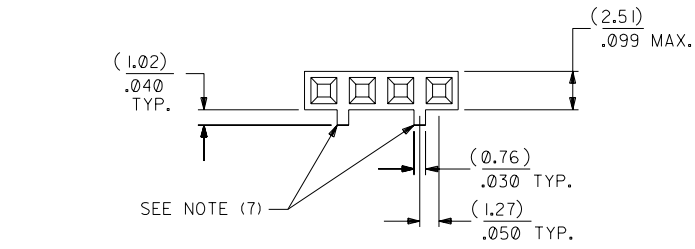


# OPTION C

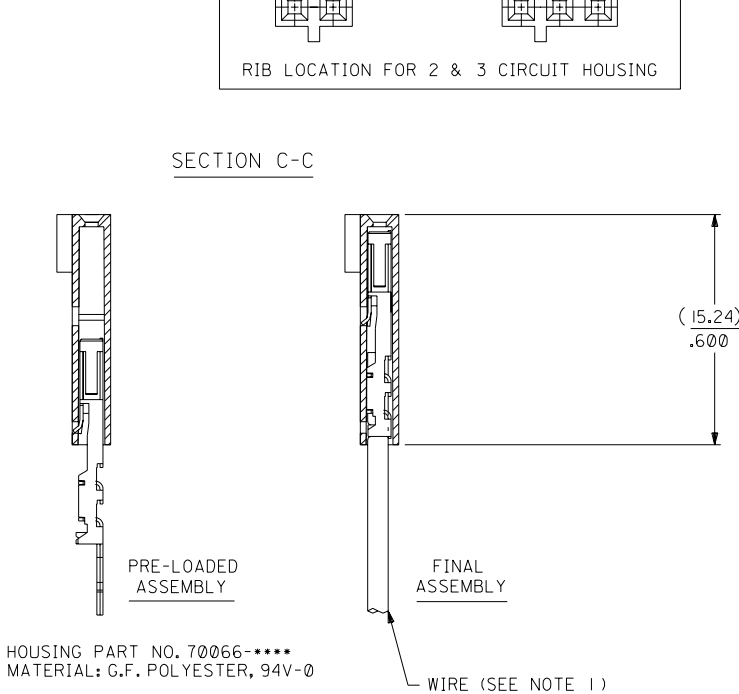
## NOTES:

- TO BE USED WITH (22) AWG. STRANDED WIRE WITH (1.35)/.053 DIA. MAX. INSULATION.
- SEE CHART FOR CIRCUIT SIZES.
- STANDARD PACKAGING PER PK-70400-0001. OPTIONAL PACKAGING MAY BE AVAILABLE, REQUEST DWG. PK-70400
- PARTS STACKABLE END TO END ON (2.54)/.100 CENTERS.
- REFER TO PRODUCT SPECIFICATION: PS-70400.
- SEE DWG. SDA-70400-\*\*\*\* (SHT. 5) FOR OPTIONAL HOUSING DETAILS.
- 4 CIRCUIT SHOWN. 4 - 25 CKT.'S. HAVE (2) RIBS.
- TO MATE WITH MOLEX PART NO.'S.: A-70374-\*\*\*\*, A-70376-\*\*\*\*, A-70390-\*\*\*\*, A-70392-\*\*\*\*, A-70544-\*\*\*\*, A-70554-\*\*\*\*, A-70542-\*\*\*\*, A-70552-\*\*\*\*, A-70546-\*\*\*\*, A-70556-\*\*\*\*.
- 2 CIRCUIT ASSEMBLIES SUPPLIED AS GROUPED PAIRS.



| I.D. SLOT CODE TO WIRE GAUGE CHART |            |
|------------------------------------|------------|
| I.D. SLOT CODE                     | WIRE GAUGE |
| D                                  | 22 AWG.    |

| PLATING CODE (STRIPE ON CARRIER STRIP) |       |
|--|-------|
| PLATING                                | COLOR |
| TIN                                    | NONE  |



HOUSING PART NO. 70066-\*\*\*\*  
MATERIAL: G.F. POLYESTER, 94V-0

TERMINAL PART NO. 70028-\*\*\*\*  
MATERIAL: PHOSPHOR BRONZE  
PLATING PER ES-88-\*\*\*

TIN - .000150 MIN. TIN OVER  
.000050 MIN. NICKEL PLATE.



| CKT. SIZE | A                  | B                  | EDP. NO.   | ENG. NO.     |
|-----------|--------------------|--------------------|------------|--------------|
| 2         | ( 2.54 )<br>.100   | ( 5.05 )<br>.199   | 14-56-7020 | A-70400-3035 |
| 3         | ( 5.08 )<br>.200   | ( 7.59 )<br>.299   | 14-56-7030 | A-70400-3036 |
| 4         | ( 7.62 )<br>.300   | ( 10.13 )<br>.399  | 14-56-7040 | A-70400-3037 |
| 5         | ( 10.16 )<br>.400  | ( 12.67 )<br>.499  | 14-56-7050 | A-70400-3038 |
| 6         | ( 12.70 )<br>.500  | ( 15.21 )<br>.599  | 14-56-7060 | A-70400-3039 |
| 7         | ( 15.24 )<br>.600  | ( 17.75 )<br>.699  | 14-56-7070 | A-70400-3040 |
| 8         | ( 17.78 )<br>.700  | ( 20.29 )<br>.799  | 14-56-7080 | A-70400-3041 |
| 9         | ( 20.32 )<br>.800  | ( 22.83 )<br>.899  | 14-56-7090 | A-70400-3042 |
| 10        | ( 22.86 )<br>.900  | ( 25.37 )<br>.999  | 14-56-7100 | A-70400-3043 |
| 11        | ( 25.54 )<br>1.000 | ( 27.91 )<br>1.099 | 14-56-7110 | A-70400-3044 |
| 12        | ( 27.94 )<br>1.100 | ( 30.45 )<br>1.199 | 14-56-7120 | A-70400-3045 |
| 13        | ( 30.48 )<br>1.200 | ( 32.99 )<br>1.299 | 14-56-7130 | A-70400-3046 |
| 14        | ( 33.02 )<br>1.300 | ( 35.53 )<br>1.399 | 14-56-7140 | A-70400-3047 |
| 15        | ( 35.56 )<br>1.400 | ( 38.07 )<br>1.499 | 14-56-7150 | A-70400-3048 |
| 16        | ( 38.01 )<br>1.500 | ( 40.61 )<br>1.599 | 14-56-7160 | A-70400-3049 |
| 17        | ( 40.64 )<br>1.600 | ( 43.15 )<br>1.699 | 14-56-7170 | A-70400-3050 |
| 18        | ( 43.18 )<br>1.700 | ( 45.69 )<br>1.799 | 14-56-7180 | A-70400-3051 |
| 19        | ( 45.72 )<br>1.800 | ( 48.23 )<br>1.899 | 14-56-7190 | A-70400-3052 |
| 20        | ( 48.26 )<br>1.900 | ( 50.77 )<br>1.999 | 14-56-7200 | A-70400-3053 |
| 21        | ( 50.80 )<br>2.000 | ( 53.31 )<br>2.099 | 14-56-7210 | A-70400-3054 |
| 22        | ( 53.34 )<br>2.100 | ( 55.85 )<br>2.199 | 14-56-7220 | A-70400-3055 |
| 23        | ( 55.88 )<br>2.200 | ( 58.39 )<br>2.299 | 14-56-7230 | A-70400-3056 |
| 24        | ( 58.42 )<br>2.300 | ( 60.93 )<br>2.399 | 14-56-7240 | A-70400-3057 |
| 25        | ( 60.96 )<br>2.400 | ( 63.47 )<br>2.499 | 14-56-7250 | A-70400-3058 |

\*THE PRIMARY SHIPPING CARTON WILL BE LABELED "COMPLIANT TO ROHS DIRECTIVE 2002/95/EC AND ELV ANNEX II OF DIRECTIVE 2000/53/EC". CARTONS WITHOUT THIS LABEL MAY CONTAIN PRODUCT WITH LEAD.

|      |   |      |  |     |  |   |
|------|---|------|--|-----|--|---|
| E    | LEAD FREE<br>UCP2004-1769<br>RWHITE 04/03/22                | C    | REVISED PER<br>ECR NO. U82110<br>10-17-88          | AAB | DIMENSIONS SHOWN (METRIC) INCH<br>UNLESS OTHERWISE SPECIFIED<br>TOLERANCES: ANGULAR ± 1/2°<br>INCH METRIC<br>3 PLACE ± .010 ---<br>2 PLACE ± .014 ± 0.25<br>1 PLACE --- ± 0.35<br>DRAFT WHERE APPLICABLE MUST<br>REMAIN WITHIN DIMENSIONS<br>DRWG. BY: AAB CHK'D BY: WAZ<br>APP'D BY: SCALE: 4:1 | REVISIONS<br>MFG, SH, REV.  |
| DI   | ADD CARRIER CHAMF<br>ECN #UDT1998-0280<br>05/20/98 LMCGRATH | B    | REVISE PER<br>ECR #U80110<br>2/3/88 MJM            | AAB |  | TITLE: ASSEMBLY, SL CONNECTOR<br>(SINGLE ROW- (2.54)/.100 GRID)   |
| D    | 164 PLATING WAS<br>102<br>PER ECR # U30941<br>07/07/93 REED | A    | RELEASE FOR PROD.<br>PER ERO NO. 25421<br>10-26-87 | AAB |  | MOLEX INCORPORATED<br>LISLE, ILL. 60532 U.S.A.<br>SHEET NO. DATE: 10/26/87  |
| LTR. | REVISIONS   | LTR. | REVISIONS  |     |  | PART NO. SDA-70400-3035-3058<br>SEE CHART<br>FILE NAME: 74003035.DWG.<br>THIS DRAWING CONTAINS INFORMATION THAT IS PROPRIETARY TO MOLEX INC. AND SHOULD NOT BE USED WITHOUT WRITTEN PERMISSION. |