

# KR Electronics

## General Description

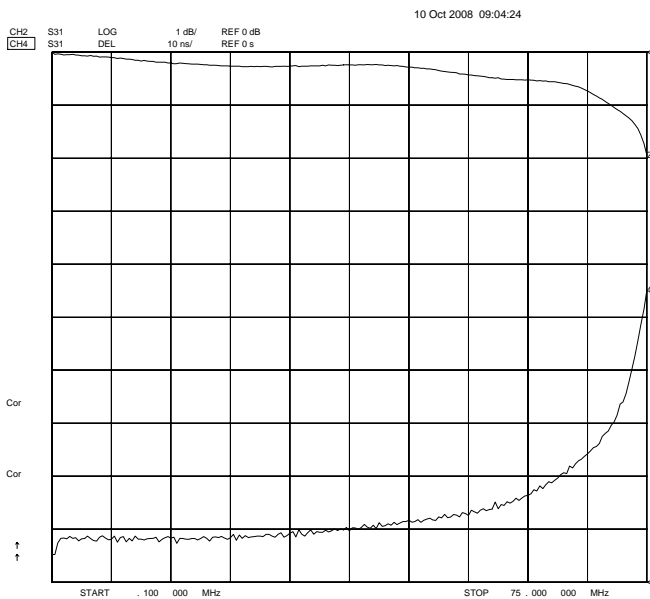
KR 2289-75-S is a 75 MHz surface mount elliptic lowpass filter. The filter has a minimum 4 dB bandwidth of 75 MHz. Other passband frequencies are available. Please consult the factory.

### Features

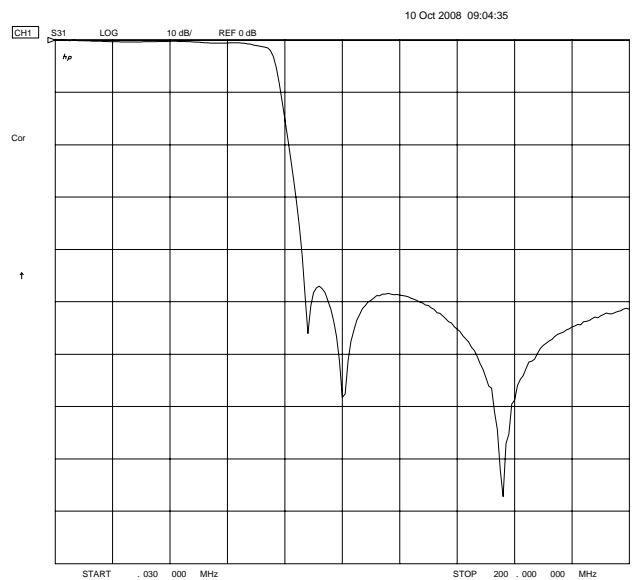
- 75 MHz Passband
- 87 MHz Stopband
- 45 dB Stopband Attenuation
- Surface mount
- 50  $\Omega$  Source and Load

## Typical Performance

### Passband Amplitude & Group Delay (1 dB/div and 10 nsec/div)



### Overall Response (10 dB/div)



KR Electronics, Inc.  
91 Avenel Street  
Avenel, NJ 07001

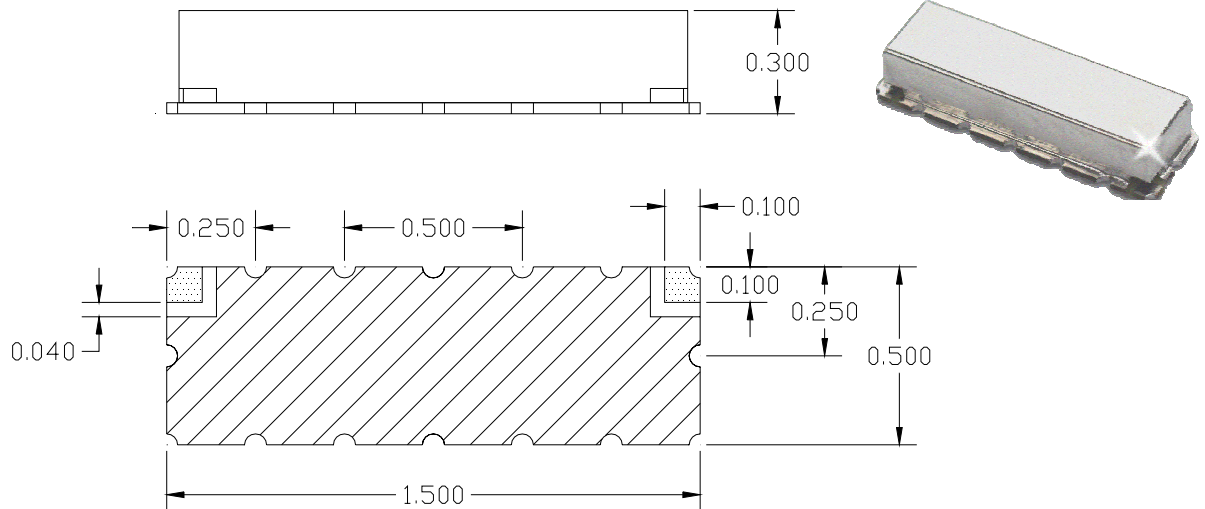
Web [www.krfilters.com](http://www.krfilters.com)  
Email [sales@krfilters.com](mailto:sales@krfilters.com)  
Phone (732) 636-1900  
Fax (732) 636-1982

# KR Electronics 2289-75-S

## Specifications

Parameter	Specification
Filter type	Lowpass
End of Passband	75 MHz
Attenuation at 75 MHz	< 4 dB ( 2 dB typical)
Attenuation at 87 MHz	> 45 dB
Source and Load	50 $\Omega$

## Physical Dimensions



**Notes:**

1. Surface mount package — Metal cover, open frame
2. Dimensions in inches
3. Maximum reflow temperature 209° C for 10 seconds maximum
4. If boards are cleaned after installation, units must be completely dried