

PLEASE CHECK WWW.MOLEX.COM FOR LATEST PART INFORMATION

Part Number: [0352841215](#)
Status: **Active**
Description: 2.28mm (.090") Tab Wire-to-Wire Uniconn Housing, Female, 12 Circuits

Documents:

[3D Model](#) [Product Specification PS-35282-001 \(PDF\)](#)
[Drawing \(PDF\)](#) [RoHS Certificate of Compliance \(PDF\)](#)

General

Product Family Crimp Housings
 Series [35284](#)
 Product Name Uniconn

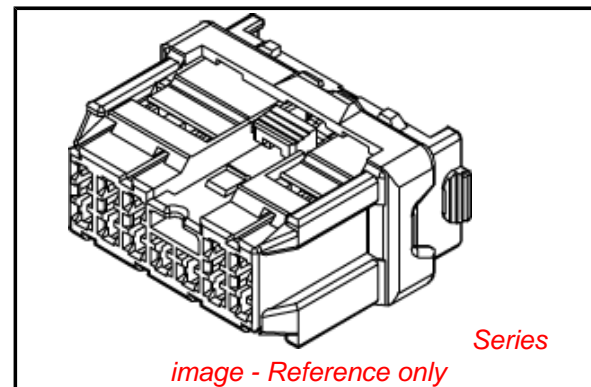
Physical

Circuits (maximum) 12
 Color - Resin Black, Gray
 Gender Female
 Glow-Wire Compliant No
 Material - Resin Polyester
 Number of Rows 2
 Packaging Type Bag
 Panel Mount No
 Pitch - Mating Interface (in) 0.150 In
 Pitch - Mating Interface (mm) 3.80 mm
 Temperature Range - Operating -40°C to +80°C

Material Info

Reference - Drawing Numbers

Product Specification PS-35282-001
 Sales Drawing SD-35284-121*



EU RoHS

**ELV and RoHS
 Compliant**
REACH SVHC
 Not Reviewed
**Halogen-Free
 Status**
Not Reviewed

China RoHS



**Need more information on product
 environmental compliance?**

Email productcompliance@molex.com
 For a multiple part number RoHS Certificate of
 Compliance, [click here](#)

Please visit the [Contact Us](#) section for any
 non-product compliance questions.

Search Parts in this Series

[35284Series](#)

Mates With

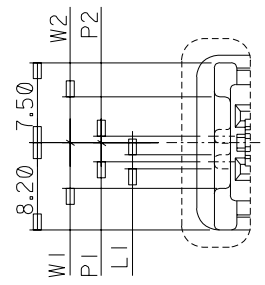
[35282](#)

Use With

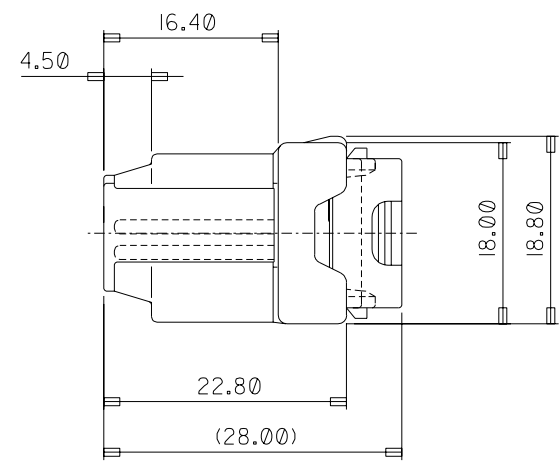
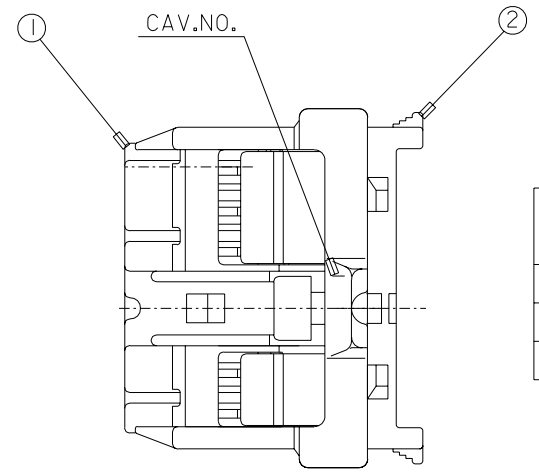
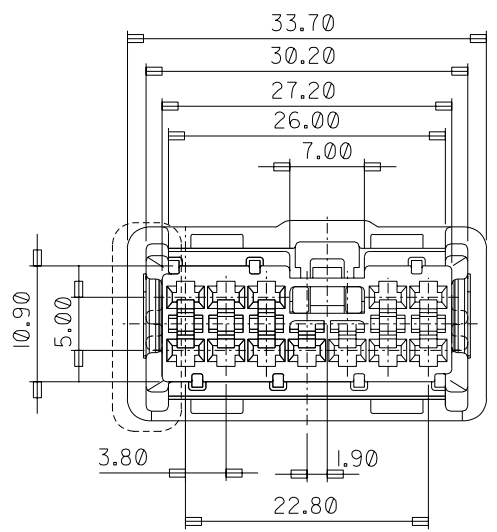
[35420](#) , [35421](#)

DO NOT SCALE DRAWING DIMENSION IN METRIC

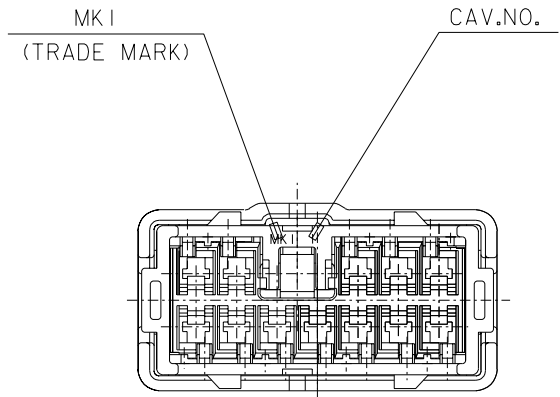
PROJECT NO. SIMILAR ITEM DMG. NO. SD-35284-1210



POLARIZED GUIDE RIBS



ENG.NO.	DIMENSIONS					COLOR
	L1	P1	P2	W1	W2	
35284-1290	// (NO RIB)			4.20	2.70	NATURAL
35284-1295	1.30	1.80	//	4.30	4.30	GRAY
35284-1297	1.30	//	0.60	4.30	4.30	BROWN



	PART NO.	PART NAME	MATERIAL
①	35284-129*	UNICONN FEMALE HOUSING-12P	PBT
②	35285-1281	UNICONN FEMALE TPA-12P	PBT, BLACK

REVISED EC NO. KOR2003-0057 DRWN: S.M.KIM 03/09/20 CHKR: C.YOON 03/09/20 APPR: G.LEE	MAJOR CRITICAL	GENERAL TOLERANCES: (UNLESS SPECIFIED)	SCALE 1:1	DESIGN UNITS <input checked="" type="checkbox"/> mm <input type="checkbox"/> INCH	DIMENSIONS: <input type="checkbox"/> mm <input type="checkbox"/> INCH <input checked="" type="checkbox"/> mm ONLY	SHT	REV	
		4 PLACES ±0.1	3 PLACES ±0.1	2 PLACES ±0.1	1 PLACE ±0.30	ANGULAR: ±1.0°	DRAFT WHERE APPLICABLE MUST REMAIN WITHIN DIMENSIONS	THIS DRAWING CONTAINS INFORMATION THAT IS PROPRIETARY TO MOLEX INCORPORATED AND SHOULD NOT BE USED WITHOUT WRITTEN PERMISSION.
B	DESCRIPTION	W.Y. YANG, 97/11/17 B.K. CHOI, 97/11/17 C.W. LEE, 97/11/17	DRAWN BY & DATE CHECKED BY & DATE APPROVED BY & DATE		TITLE: UNICONN FEMALE ASS'Y-12P			
CAD FILENAME SD2841210.DGN		MATERIAL NO. SEE TABLE		DRAWING NO. SD 35284-1210		SHEET NO. 1/1		