

PLEASE CHECK WWW.MOLEX.COM FOR LATEST PART INFORMATION

Part Number: [0352841615](#)
Status: **Active**
Description: 2.28mm (.090") Tab Wire-to-Wire Uniconn Housing, Female, 16 Circuits

Documents:

[3D Model](#) [Product Specification PS-35282-001 \(PDF\)](#)
[Drawing \(PDF\)](#) [RoHS Certificate of Compliance \(PDF\)](#)

General

Product Family Crimp Housings
 Series [35284](#)
 Product Name Uniconn

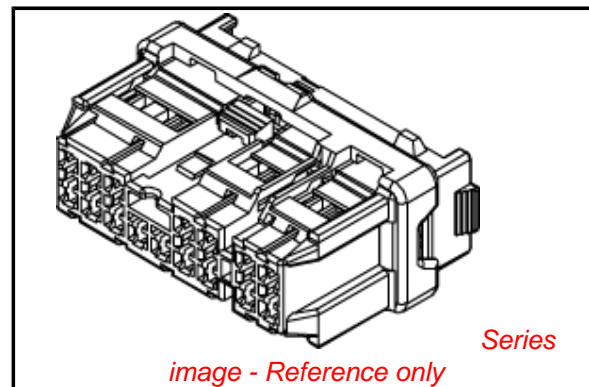
Physical

Circuits (maximum) 16
 Color - Resin Black, Gray
 Gender Female
 Glow-Wire Compliant No
 Material - Resin Polyester
 Number of Rows 2
 Packaging Type Bag
 Panel Mount No
 Pitch - Mating Interface (in) 0.150 In
 Pitch - Mating Interface (mm) 3.80 mm
 Temperature Range - Operating -40°C to +80°C

Material Info

Reference - Drawing Numbers

Product Specification PS-35282-001
 Sales Drawing SD-35284-161*



EU RoHS

**ELV and RoHS
 Compliant**
REACH SVHC
 Not Reviewed
**Halogen-Free
 Status**

China RoHS



**Need more information on product
 environmental compliance?**

Email productcompliance@molex.com
 For a multiple part number RoHS Certificate of
 Compliance, [click here](#)

Please visit the [Contact Us](#) section for any
 non-product compliance questions.

Search Parts in this Series

[35284Series](#)

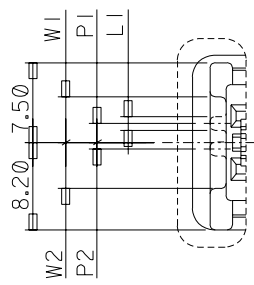
Mates With

[35282](#)

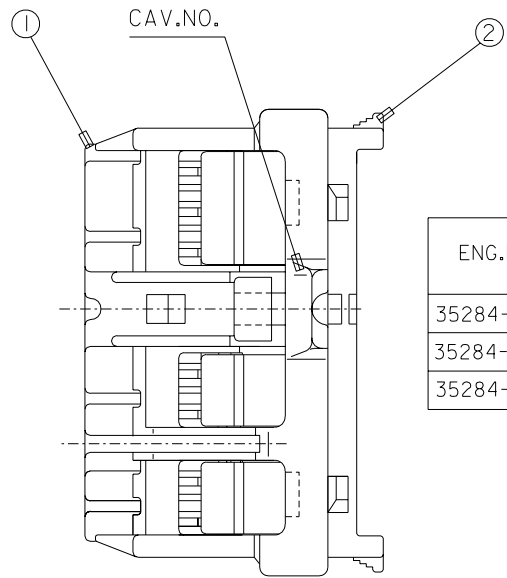
Use With

[35420](#) , [35421](#)

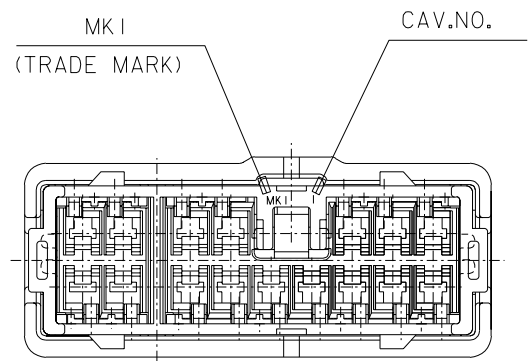
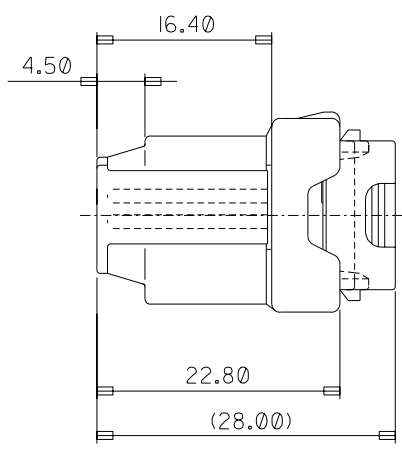
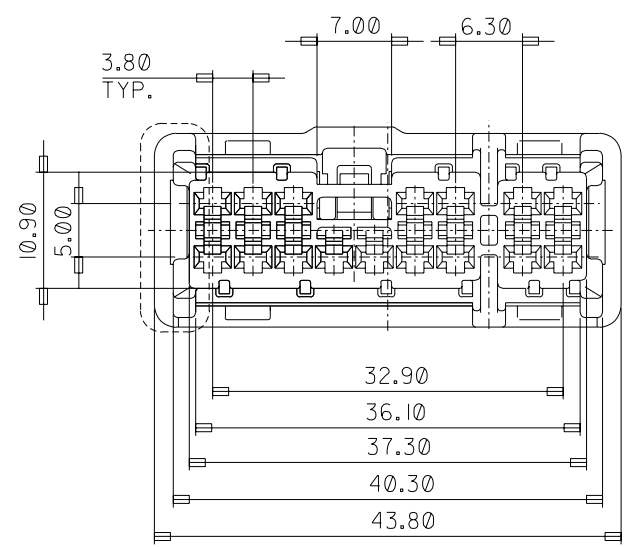
PROJECT NO. SD-35284-1610
 SIMILAR ITEM
 DO NOT SCALE DRAWING DIMENSION IN METRIC



POLARIZED GUIDE RIBS



ENG.NO.	DIMENSIONS					COLOR
	L1	P1	P2	W1	W2	
35284-1690	// (NO RIB)			4.20	2.70	NATURAL
35284-1695	1.30	1.80	//	4.30	4.30	GRAY
35284-1697	1.30	//	0.60	4.30	4.30	BROWN



	PART NO.	PART NAME	MATERIAL
①	35284-169*	UNICONN FEMALE HOUSING-16P	PBT
②	35285-1681	UNICONN FEMALE TPA-16P	PBT, BLACK

REVISED EC NO. KOR2003-0057 DRWN: S.M.KIM 03/09/20 CHK: B.C.YOON 03/09/20 APPR: G.M.LEE	QUALITY SYMBOLS MAJOR CRITICAL	GENERAL TOLERANCES: (UNLESS SPECIFIED): 4 PLACES ±0.10 mm ±.005 INCH 3 PLACES ±0.15 mm ±.006 INCH 2 PLACES ±0.20 mm ±.008 INCH 1 PLACE ±0.30 mm ±.012 INCH	SCALE: 1:1 DESIGN UNITS: mm INCH DRAWN BY & DATE: W.Y. YANG, 97/11/17 CHECKED BY & DATE: B.K. CHOI, 97/11/17 APPROVED BY & DATE: C.W. LEE, 97/11/17	DIMENSIONS: <input type="checkbox"/> mm <input checked="" type="checkbox"/> INCH <input type="checkbox"/> mm ONLY	SHT REVISE ON CAD ONLY
		CAD FILENAME: SD2841610.DGN MATERIAL NO.: SEE TABLE DRAWING NO.: SD 35284-1610 SHEET NO.: 1/1 SIZE: C			