

# THRU-HOLE POWER INDUCTORS



## AIUR-15, AIUR-16 SERIES

### FEATURES:

- Ferrite core with heat shrink tube
- High Reliability

### OPTIONS:

- Bulk Pack is standard

### APPLICATIONS:

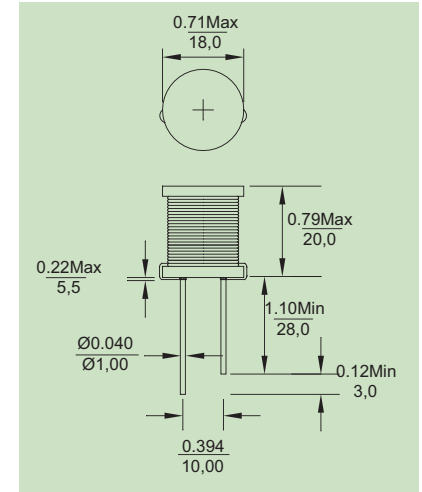
- Electronic Appliance
- Noise Filtering

### STANDARD SPECIFICATIONS:

Part Number AIUR-15	L (μH)	R <sub>DC</sub> (Ω) Max	I <sub>DC</sub> (A) Max
220M	22	0.030	5.7
270M	27	0.033	5.0
330K	33	0.038	4.8
390K	39	0.038	4.5
470K	470	0.044	4.2
560K	56	0.048	4.0
680K	68	0.055	3.8
820K	82	0.066	3.5
101K	100	0.082	3.2
121K	120	0.098	3.0
151K	150	0.110	2.7

Part Number AIUR-15	L (μH)	R <sub>DC</sub> (Ω) Max	I <sub>DC</sub> (A) Max
181K	180	0.130	2.5
221K	220	0.160	2.3
271K	270	0.190	2.0
331K	330	0.260	1.8
391K	390	0.290	1.7
471K	470	0.330	1.5
561K	560	0.410	1.4
681K	680	0.460	1.3
821K	820	0.630	1.1
102K	1000	0.710	1.0

### PHYSICAL CHARACTERISTICS:



### TECHNICAL INFORMATION:

- Test frequency: 1KHz, 0.1VRMS
- Inductance tolerance: M=20%, K=10%
- IDC: Inductance drops 10% typical or,  $\Delta T \leq 40^\circ\text{C}$  with rated IDC
- Letter suffix indicates standard tolerance

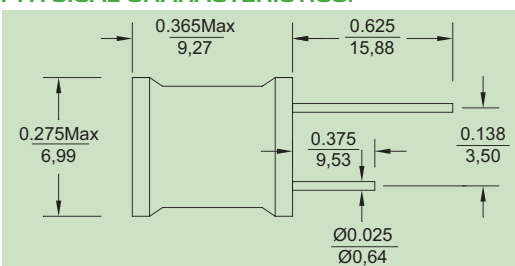
- Operating Temperature:  $-40^\circ\text{C}$  to  $+85^\circ\text{C}$
- Storage Temperature:  $-55^\circ\text{C}$  to  $+125^\circ\text{C}$
- Marking: Inductance and tolerance
- \*\* No Tubing

Part Number AIUR-16	L (μH)	R <sub>DC</sub> (Ω) Max	I <sub>DC</sub> (A) Max
3R9K	3.9	0.020	2.70
4R7K	4.7	0.022	2.50
5R6K	5.6	0.027	2.30
6R8K	6.8	0.029	2.10
8R2K	8.2	0.036	1.90
100K	10	0.041	1.70
120K	12	0.046	1.55
150K	15	0.050	1.40
180K	18	0.062	1.30
220K	22	0.071	1.20
270K	27	0.073	1.10
330K	33	0.090	0.92
390K	39	0.102	0.84
470K	47	0.120	0.76
560K	56	0.162	0.70
680K	68	0.186	0.66

Part Number AIUR-16	L (mH)	R <sub>DC</sub> (Ω) Max	I <sub>DC</sub> (A) Max
820K	82	0.240	0.580
101K	100	0.270	0.530
121K	120	0.310	0.460
151K	150	0.372	0.440
181K	180	0.456	0.390
221K	220	0.535	0.350
271K	270	0.625	0.320
331K	330	0.816	0.300
391K	390	1.0	0.280
471K	470	1.2	0.240
561K	560	1.3	0.225
681K	680	1.8	0.210
821K	820	2.1	0.190
102K	1000	3.0	0.165
122K	1200	3.3	0.155
152K	1500	3.5	0.135

Part Number AIUR-16	L (μH)	R <sub>DC</sub> (Ω) Max	I <sub>DC</sub> (A) Max
182K	1.8	5.7	0.125
222K	2.2	6.2	0.115
272K	2.7	7.6	0.105
332K	3.3	8.5	0.096
392K	3.9	10.3	0.084
472K	4.7	11.3	0.076
562K	5.6	13	0.070
682K	6.8	17	0.064
822K	8.2	20	0.057
103K	10	27	0.053
123K	12	31	0.047
153K	15	45	0.043
183K	18	51	0.038
223K	22	60	0.035
273K	27	66	0.033
333K	33	100	0.029

### PHYSICAL CHARACTERISTICS:



### TECHNICAL INFORMATION:

- Test frequency: 10KHz 0.1VRMS
- Tolerance: K=10% (Standard)
- Letter suffix indicates standard tolerance
- Temperature:  $-40^\circ\text{C}$  to  $+125^\circ\text{C}$  with no load  $-40^\circ\text{C}$  to  $+85^\circ\text{C}$  with full rated current
- Marking: Value and tolerance
- IDC: 5% typical Lp drops from initial value
- UL Shrink Tube

**Note:** Where wires exits over flange to lead termination add 0.050" total to max diameter. Check SCD for detail E&M specification