

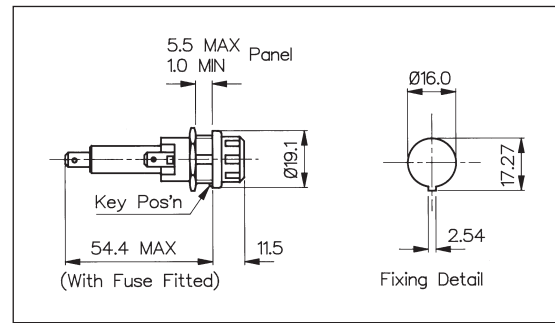
## Panel Mounting Touchproof, PC2

### PANEL MOUNT



**FX0415, FX0416**

- Protection Category PC2
- Fuse Sizes:
  - 6.3 x 32mm (FX0415)
  - 6.3 x 25mm (FX0416)
- Screw Cap/Hand Release
- 13A, 250V (16A, 250V UL)

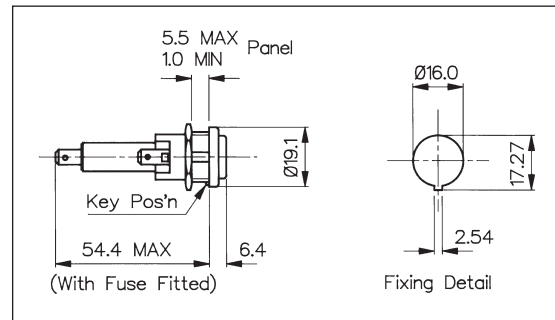


### PANEL MOUNT



**FX0415/S, FX0416/S**

- Protection Category PC2
- Fuse Sizes:
  - 6.3 x 32mm (FX0415/S)
  - 6.3 x 25mm (FX0416/S)
- Screw Cap/Screwdriver Release
- 13A, 250V (16A, 250V UL)



### Specification

#### FX0415, FX0416

#### FX0415/S, FX0416/S

<b>Fuse Size:</b>	FX0415 - 6.3 x 32mm FX0416 - 6.3 x 25mm	FX0415/S - 6.3 x 32mm FX0416/S - 6.3 x 25mm
<b>Fuse Carrier:</b>	Screw cap/Hand release	Screw cap/Screwdriver release
<b>Terminations:</b>	4.8 series tabs	4.8 series tabs
<b>Max. Rating:</b>	13A, 250V (16A, 250V UL)	13A, 250V (16A, 250V UL)
<b>Max. Power Dissipation:</b>	4W (@ 23°C)	4W (@ 23°C)
<b>Insulation Resistance:</b>	>10 <sup>5</sup> MΩ @ 500V d.c.	>10 <sup>5</sup> MΩ @ 500V d.c.
<b>A.C. Breakdown:</b>	4kV @ 50Hz	4kV @ 50Hz
<b>Contact Resistance:</b>	<5mΩ	<5mΩ
<b>Operating Temp:</b>	-20°C to +85°C (ambient air temp + fuse temp rise)	-20°C to +85°C (ambient air temp + fuse temp rise)
<b>Mouldings:</b>		
Body:	Glass Filled Nylon UL94V-0 rated	Glass Filled Nylon UL94V-0 rated
Cap:	Nylon UL94V-0 rated	Nylon UL94V-0 rated
Sleeve:	Polyester UL94V-0 rated	Polyester UL94V-0 rated
<b>Contacts:</b>	Brass, Silver Plated	Brass, Silver Plated
<b>Approvals:</b>		
<b>Accessories:</b>	P.No. 12932 (See page 163)	P.No. 12932 (See page 163)
<b>RoHS</b>	Compliant	Compliant