

**PLEASE CHECK WWW.MOLEX.COM FOR LATEST PART INFORMATION**

**Part Number:** [0352841610](#)  
**Status:** **Active**  
**Description:** 2.28mm (.090") Tab Wire-to-Wire Uniconn Housing, Female, 16 Circuits

**Documents:**

[3D Model](#) [Product Specification PS-35282-001 \(PDF\)](#)  
[Drawing \(PDF\)](#) [RoHS Certificate of Compliance \(PDF\)](#)

**General**

Product Family Crimp Housings  
 Series [35284](#)  
 Product Name Uniconn

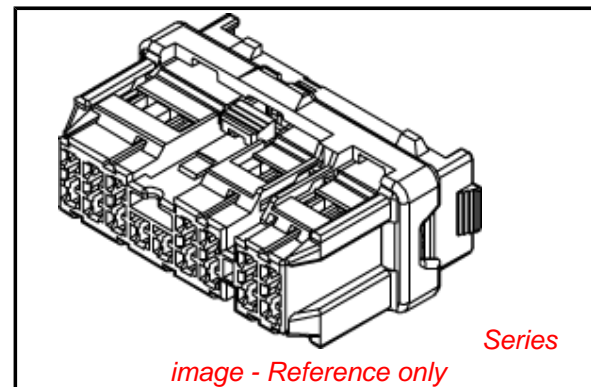
**Physical**

Circuits (maximum) 16  
 Color - Resin Black, Natural  
 Gender Female  
 Glow-Wire Compliant No  
 Material - Resin Polyester  
 Number of Rows 2  
 Packaging Type Bag  
 Panel Mount No  
 Pitch - Mating Interface (in) 0.150 In  
 Pitch - Mating Interface (mm) 3.80 mm  
 Temperature Range - Operating -40°C to +80°C

**Material Info**

**Reference - Drawing Numbers**

Product Specification PS-35282-001  
 Sales Drawing SD-35284-161\*



**EU RoHS**

**ELV and RoHS  
 Compliant**  
**REACH SVHC**  
 Not Reviewed  
**Halogen-Free  
 Status**

**China RoHS**



**Need more information on product  
 environmental compliance?**

Email [productcompliance@molex.com](mailto:productcompliance@molex.com)  
 For a multiple part number RoHS Certificate of  
 Compliance, [click here](#)

Please visit the [Contact Us](#) section for any  
 non-product compliance questions.

**Search Parts in this Series**

[35284Series](#)

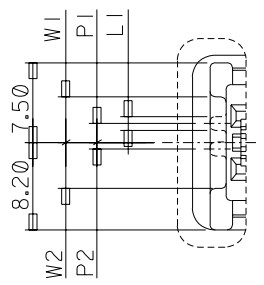
**Mates With**

[35282](#)

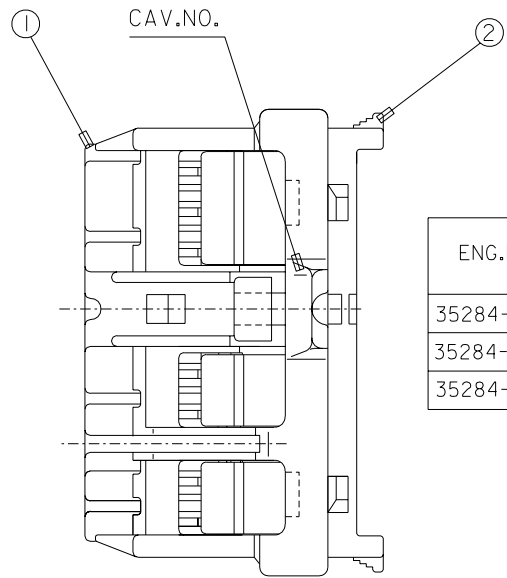
**Use With**

[35420](#) , [35421](#)

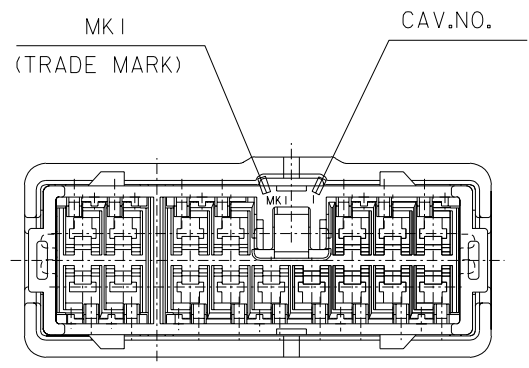
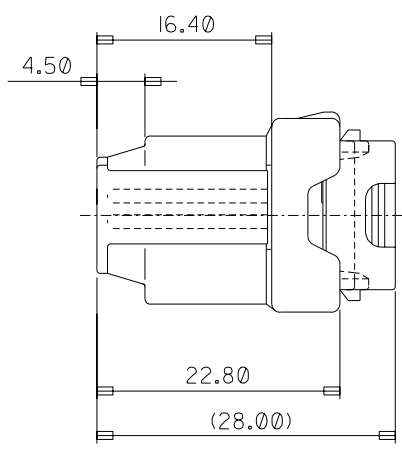
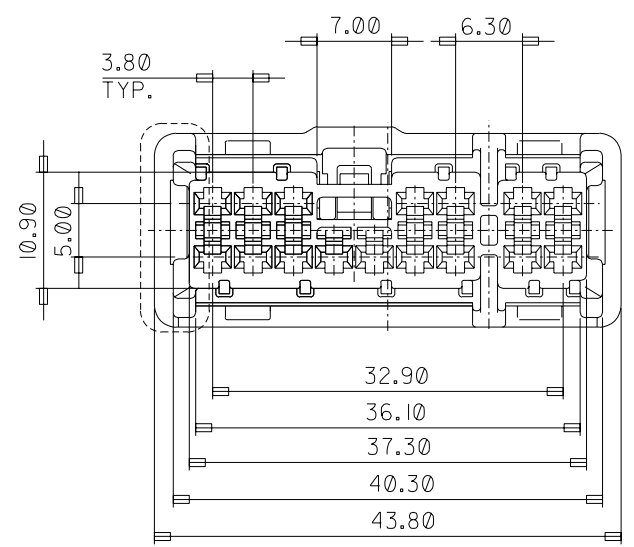
PROJECT NO. SD-35284-1610  
 SIMILAR ITEM  
 DO NOT SCALE DRAWING DIMENSION IN METRIC



POLARIZED GUIDE RIBS



ENG.NO.	DIMENSIONS					COLOR
	L1	P1	P2	W1	W2	
35284-1690	// (NO RIB)			4.20	2.70	NATURAL
35284-1695	1.30	1.80	//	4.30	4.30	GRAY
35284-1697	1.30	//	0.60	4.30	4.30	BROWN



	PART NO.	PART NAME	MATERIAL
①	35284-169*	UNICONN FEMALE HOUSING-16P	PBT
②	35285-1681	UNICONN FEMALE TPA-16P	PBT, BLACK

REVISED EC NO. KOR2003-0057 DRWN: S.M.KIM 03/09/20 CHK: B.C.YOON 03/09/20 APPR: G.M.LEE	QUALITY SYMBOLS MAJOR CRITICAL	GENERAL TOLERANCES: (UNLESS SPECIFIED)	SCALE 1:1	DESIGN UNITS <input checked="" type="checkbox"/> mm <input type="checkbox"/> INCH	DIMENSIONS: <input type="checkbox"/> mm <input checked="" type="checkbox"/> INCH <input type="checkbox"/> mm ONLY	SHT	REV
		4 PLACES ±0.1 3 PLACES ±0.1 2 PLACES ±0.1 1 PLACE ±0.30	DRAWN BY & DATE W.Y. YANG, 97/11/17	TITLE: UNICONN FEMALE ASS'Y-16P			
REV B	DESCRIPTION	ANGULAR: ±1.0°	CAD FILENAME SD2841610.DGN	MATERIAL NO. SEE TABLE	DRAWING NO. SD 35284-1610	SHEET NO. 1/1	SIZE C
		DRAFT WHERE APPLICABLE MUST REMAIN WITHIN DIMENSIONS	THIS DRAWING CONTAINS INFORMATION THAT IS PROPRIETARY TO MOLEX INCORPORATED AND SHOULD NOT BE USED WITHOUT WRITTEN PERMISSION.				