

SGR20N40L / SGU20N40L

General Description

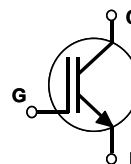
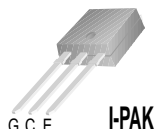
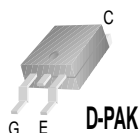
Insulated Gate Bipolar Transistors (IGBTs) with a trench gate structure provide superior conduction and switching performance in comparison with transistors having a planar gate structure. They also have wide noise immunity. These devices are very suitable for strobe applications

Features

- High input impedance
- High peak current capability (150A)
- Easy gate drive
- Surface Mount : SGR20N40L
- Straight Lead : SGU20N40L

Application

Strobe flash.



Absolute Maximum Ratings T_C = 25°C unless otherwise noted

| Symbol | Description | SGR / SGU20N40L | Units |
|---------------------|---|-----------------|-------|
| V _{CES} | Collector - Emitter Voltage | 400 | V |
| V _{GES} | Gate - Emitter Voltage | ± 6 | V |
| I _{CM (1)} | Pulsed Collector Current | 150 | A |
| P _C | Maximum Power Dissipation @ T _C = 25°C | 45 | W |
| T _J | Operating Junction Temperature | -40 to +150 | °C |
| T _{stg} | Storage Temperature Range | -40 to +150 | °C |
| T _L | Maximum Lead Temp. for soldering purposes, 1/8" from case for 5 seconds | 300 | °C |

Notes :

(1) Repetitive rating : Pulse width limited by max. junction temperature

Thermal Characteristics

| Symbol | Parameter | Typ. | Max. | Units |
|--------------------------|---|------|------|-------|
| R _{θJC} | Thermal Resistance, Junction-to-Case | -- | 3.0 | °C/W |
| R _{θJA (D-PAK)} | Thermal Resistance, Junction-to-Ambient (PCB Mount) (2) | -- | 50 | °C/W |
| R _{θJA (I-PAK)} | Thermal Resistance, Junction-to-Ambient | -- | 110 | °C/W |

Notes :

(2) Mounted on 1" square PCB (FR4 or G-10 Material)

Electrical Characteristics of the IGBT $T_C = 25^\circ\text{C}$ unless otherwise noted

| Symbol | Parameter | Test Conditions | Min. | Typ. | Max. | Units |
|----------------------------------|-------------------------------------|---|------|------|-----------|---------|
| Off Characteristics | | | | | | |
| BV_{CES} | Collector-Emitter Breakdown Voltage | $V_{GE} = 0V, I_C = 1mA$ | 450 | -- | -- | V |
| I_{CES} | Collector Cut-Off Current | $V_{CE} = V_{CES}, V_{GE} = 0V$ | -- | -- | 10 | μA |
| I_{GES} | G-E Leakage Current | $V_{GE} = V_{GES}, V_{CE} = 0V$ | -- | -- | ± 0.1 | μA |
| On Characteristics | | | | | | |
| $V_{GE(th)}$ | G-E Threshold Voltage | $I_C = 1mA, V_{CE} = V_{GE}$ | 0.5 | 1.0 | 1.4 | V |
| $V_{CE(sat)}$ | C-E Saturation Current | $I_C = 150A, V_{GE} = 4.5V$ | 2.0 | 4.5 | 8.0 | V |
| Dynamic Characteristics | | | | | | |
| C_{ies} | Input Capacitance | $V_{GE} = 0V, V_{CE} = 30V,$ $f = 1MHz$ | -- | 3800 | -- | pF |
| C_{oes} | Output Capacitance | | -- | 50 | -- | pF |
| C_{res} | Reverse Transfer Capacitance | | -- | 35 | -- | pF |
| Switching Characteristics | | | | | | |
| $t_{d(on)}$ | Turn-On Delay Time | $V_{CC} = 300V, I_C = 150A,$ $V_{GE} = 4.5V, R_G = 15\Omega^*$ Resistive Load | -- | 0.2 | -- | μs |
| t_r | Rise Time | | -- | 1.7 | -- | μs |
| $t_{d(off)}$ | Turn-Off Delay Time | | -- | 0.3 | 0.5 | μs |
| t_f | Fall Time | | -- | 1.5 | 2.0 | μs |

* Notes : Recommendation of R_G Value : $R_G \geq 15\Omega$

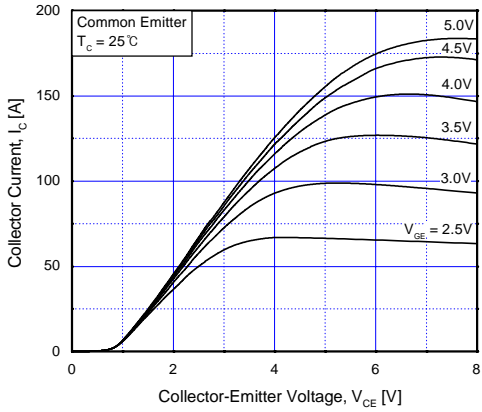


Fig 1. Typical Output Characteristics

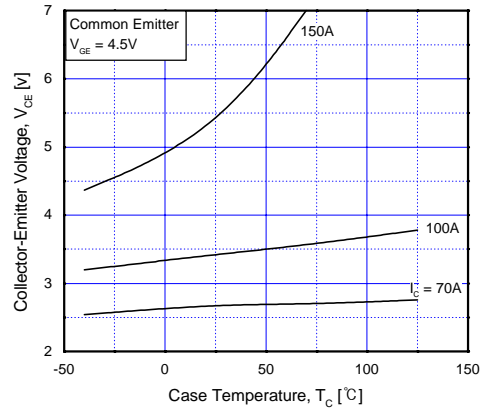


Fig 2. Saturation Voltage vs. Case Temperature at Variant Current Level

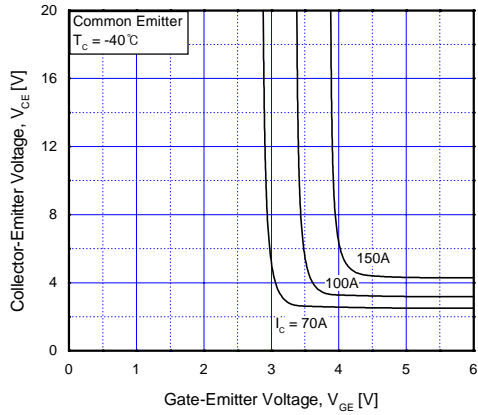


Fig 3. Saturation Voltage vs. V_{GE}

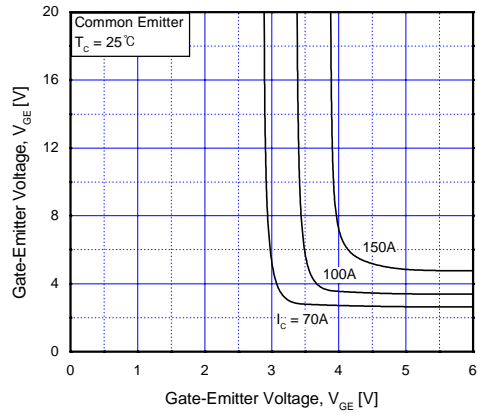


Fig 4. Saturation Voltage vs. V_{GE}

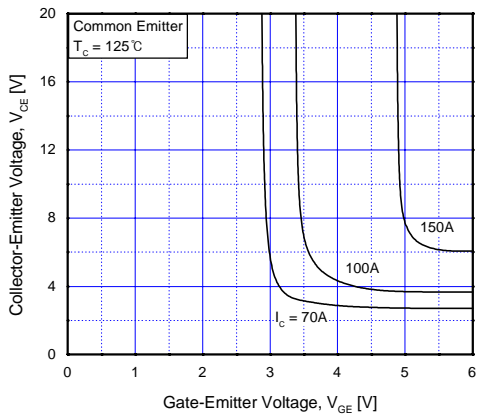


Fig 5. Saturation Voltage vs. V_{GE}

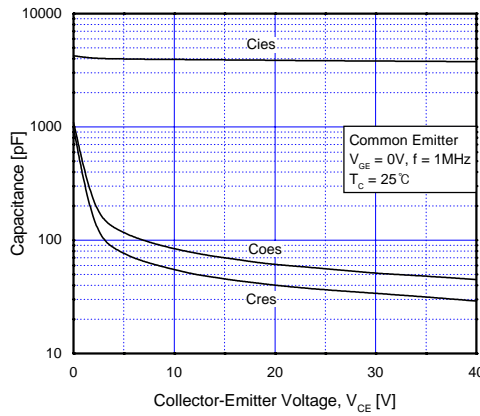


Fig 6. Capacitance Characteristics

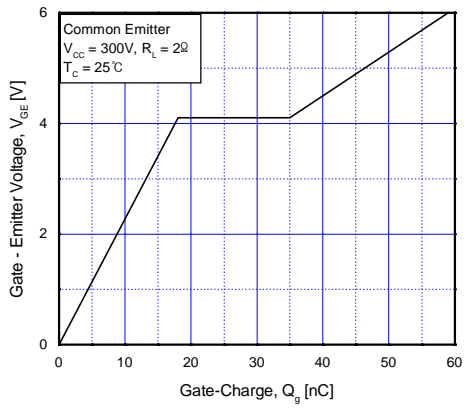


Fig 7. Turn-On Characteristics vs. Gate Resistance

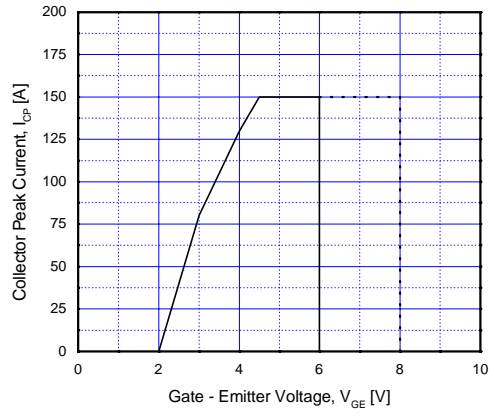


Fig 8. Collector Current Limit vs. Gate - Emitter Voltage Limit

TRADEMARKS

The following are registered and unregistered trademarks Fairchild Semiconductor owns or is authorized to use and is not intended to be an exhaustive list of all such trademarks.

| | | | |
|-----------------------------------|----------------------------------|----------------------------------|------------------------------|
| ACE _x TM | FAST [®] | OPTOPLANAR TM | STAR*POWER TM |
| Bottomless TM | FAST _r TM | PACMAN TM | Stealth TM |
| CoolFET TM | FRFET TM | POP TM | SuperSOT TM -3 |
| CROSSVOLT TM | GlobalOptoisolator TM | Power247 TM | SuperSOT TM -6 |
| DenseTrench TM | GTO TM | PowerTrench [®] | SuperSOT TM -8 |
| DO _M E TM | HiSeC TM | QFET TM | SyncFET TM |
| EcoSPARK TM | ISOPLANAR TM | QS TM | TruTranslation TM |
| E ² CMOS TM | LittleFET TM | QT Optoelectronics TM | TinyLogic TM |
| EnSigna TM | MicroFET TM | Quiet Series TM | UHC TM |
| FACT TM | MICROWIRE TM | SLIENT SWITCHER [®] | UltraFET [®] |
| FACT Quiet Series TM | OPTOLOGIC TM | SMART START TM | VCX TM |

STAR*POWER is used under license

DISCLAIMER

FAIRCHILD SEMICONDUCTOR RESERVES THE RIGHT TO MAKE CHANGES WITHOUT FURTHER NOTICE TO ANY PRODUCTS HEREIN TO IMPROVE RELIABILITY, FUNCTION OR DESIGN. FAIRCHILD DOES NOT ASSUME ANY LIABILITY ARISING OUT OF THE APPLICATION OR USE OF ANY PRODUCT OR CIRCUIT DESCRIBED HEREIN; NEITHER DOES IT CONVEY ANY LICENSE UNDER ITS PATENT RIGHTS, NOR THE RIGHTS OF OTHERS.

LIFE SUPPORT POLICY

FAIRCHILD'S PRODUCTS ARE NOT AUTHORIZED FOR USE AS CRITICAL COMPONENTS IN LIFE SUPPORT DEVICES OR SYSTEMS WITHOUT THE EXPRESS WRITTEN APPROVAL OF FAIRCHILD SEMICONDUCTOR INTERNATIONAL.

As used herein:

1. Life support devices or systems are devices or systems which, (a) are intended for surgical implant into the body, or (b) support or sustain life, or (c) whose failure to perform when properly used in accordance with instructions for use provided in the labeling, can be reasonably expected to result in significant injury to the user.
2. A critical component is any component of a life support device or system whose failure to perform can be reasonably expected to cause the failure of the life support device or system, or to affect its safety or effectiveness.

PRODUCT STATUS DEFINITIONS

Definition of Terms

| Datasheet Identification | Product Status | Definition |
|--------------------------|------------------------|---|
| Advance Information | Formative or In Design | This datasheet contains the design specifications for product development. Specifications may change in any manner without notice. |
| Preliminary | First Production | This datasheet contains preliminary data, and supplementary data will be published at a later date. Fairchild Semiconductor reserves the right to make changes at any time without notice in order to improve design. |
| No Identification Needed | Full Production | This datasheet contains final specifications. Fairchild Semiconductor reserves the right to make changes at any time without notice in order to improve design. |
| Obsolete | Not In Production | This datasheet contains specifications on a product that has been discontinued by Fairchild semiconductor. The datasheet is printed for reference information only. |

Fairchild Semiconductor

SEARCH | Parametric | Cross Reference

space

Product Folders and

Applies

find products

Home >> Find products >>

- [Products groups](#)
- [Analog and Mixed](#)
- [Signal](#)
- [Discrete](#)
- [Interface](#)
- [Logic](#)
- [Microcontrollers](#)
- [Non-Volatile](#)
- [Memory](#)
- [Optoelectronics](#)
- [Markets and applications](#)
- [New products](#)
- [Product selection and parametric search](#)
- [Cross-reference search](#)

SGR20N40L
Discrete, IGBT

Contents

[General description](#) | [Features](#) | [Applications](#) | [Product status/pricing/packaging](#) | [Models](#) | [Application notes](#)

General description

Insulated Gate Bipolar Transistors (IGBTs) with a trench gate structure provide superior conduction and switching performance in comparison with transistors having a planar gate structure. They also have wide noise immunity. These devices are very suitable for strobe applications.

Datasheet

[Download this datasheet](#)

PDF

[e-mail this datasheet](#)

[E-]

This page [Print version](#)

Related Links

[Request samples](#)

[How to order products](#)

[Product Change Notices \(PCNs\)](#)

[Support](#)

[Distributor and field sales representatives](#)

[Quality and reliability](#)

[Design tools](#)

technical information

buy products

technical support

my Fairchild

company

[back to top](#)

Features

- High Input Impedance
- High Peak Current Capability (150A)
- Easy Gate Drive
- Surface Mount: SGR20N40L
- Straight Lead: SGU20N40L

[back to top](#)

Applications

- Strobe Flash

[back to top](#)

[Product status/pricing/packaging](#)

| Product | Product status | Pricing* | Package type | Leads | Packing method |
|-------------|-----------------|----------|--------------|-------|----------------|
| SGR20N40LTF | Full Production | \$1.53 | TO-252(DPAK) | 2 | TAPE REEL |
| SGR20N40LTM | Full Production | \$1.53 | TO-252(DPAK) | 2 | TAPE REEL |

* 1,000 piece Budgetary Pricing

[back to top](#)

Models

| Package & leads | Condition | Software version | Revision date |
|-----------------|----------------------------|------------------|---------------|
| PSPICE | | | |
| TO-252(DPAK)-2 | Electrical | 9.2 | May 23, 2001 |

[back to top](#)

Application notes

[AN-9006: AN-9006 IGBT Application Note for Camera Strobe](#) (146 K)

Jul 19, 2002

[back to top](#)

[Home](#) | [Find products](#) | [Technical information](#) | [Buy products](#) |
[Support](#) | [Company](#) | [Contact us](#) | [Site index](#) | [Privacy policy](#)

© Copyright 2002 Fairchild Semiconductor

Fairchild Semiconductor

SEARCH | Parametric | Cross Reference

space

Product Folders and

Applies

find products

Home >> Find products >>

Products groups

Analog and Mixed

Signal

Discrete

Interface

Logic

Microcontrollers

Non-Volatile

Memory

Optoelectronics

Markets and

applications

New products

Product selection and

parametric search

Cross-reference

search

SGU20N40L
Discrete, IGBT

Contents

[General description](#) | [Features](#) | [Applications](#) | [Product status/pricing/packaging](#) | [Models](#) | [Application notes](#)

General description

Insulated Gate Bipolar Transistors (IGBTs) with a trench gate structure provide superior conduction and switching performance in comparison with transistors having a planar gate structure. They also have wide noise immunity. These devices are very suitable for strobe applications.

Datasheet

[Download this datasheet](#)

PDF

[e-mail this datasheet](#)

[E-]

This page [Print version](#)

Related Links

[Request samples](#)

[How to order products](#)

[Product Change Notices \(PCNs\)](#)

[Support](#)

[Distributor and field sales representatives](#)

[Quality and reliability](#)

[Design tools](#)

technical information

buy products

technical support

my Fairchild

company

[back to top](#)

Features

- High Input Impedance
- High Peak Current Capability (150A)
- Easy Gate Drive
- Surface Mount: SGR20N40L
- Straight Lead: SGU20N40L

[back to top](#)

Applications

- Strobe Flash

[back to top](#)

[Product status/pricing/packaging](#)

| Product | Product status | Pricing* | Package type | Leads | Packing method |
|-------------|-----------------|----------|--------------|-------|----------------|
| SGU20N40LTU | Full Production | \$1.53 | TO-251(IPAK) | 3 | RAIL |

* 1,000 piece Budgetary Pricing

[back to top](#)

Models

| Package & leads | Condition | Software version | Revision date |
|-----------------|----------------------------|------------------|---------------|
| PSPICE | | | |
| TO-251(IPAK)-3 | Electrical | 9.2 | May 23, 2001 |

[back to top](#)

Application notes

[AN-9006: AN-9006 IGBT Application Note for Camera Strobe](#) (146 K)

Jul 19, 2002

[back to top](#)

[Home](#) | [Find products](#) | [Technical information](#) | [Buy products](#) |
[Support](#) | [Company](#) | [Contact us](#) | [Site index](#) | [Privacy policy](#)

© Copyright 2002 Fairchild Semiconductor