

NOTES:

1.0 PINS
CONN

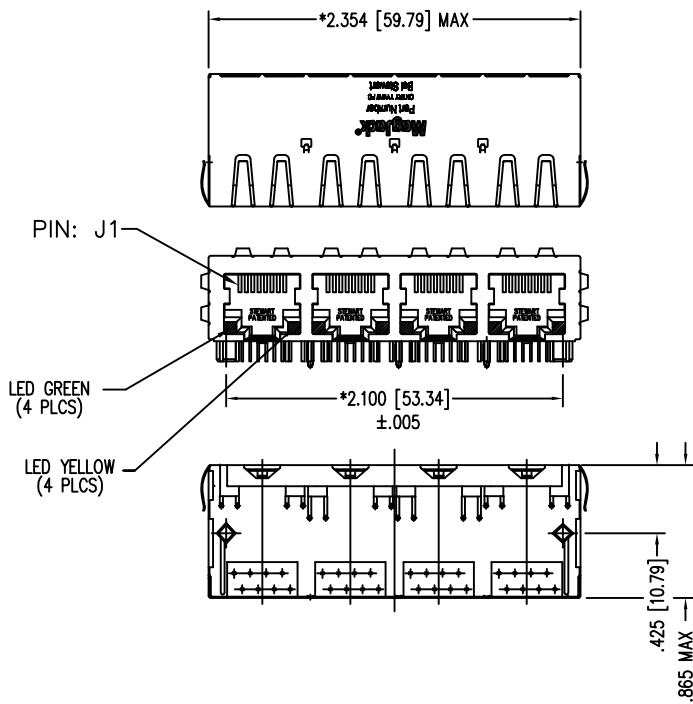
ELECTRICAL SPECIFICATIONS:

- | | | |
|-------------------------------|--|--|
| 1.0 TURNS RATIO: | $(P6-P5-P4) : (J6-J3)$
$(P3-P2-P1) : (J2-J1)$ | : 1CT : $1 \pm 3\%$
: 1.41CT : $1 \pm 3\%$ |
| 2.0 INDUCTANCE: | $(P6-P4)$
$(P3-P1)$ | : 350uH MIN. @ 0.1V, 100KHz, 8mA DC Bias
: 696uH MIN. @ 0.1V, 100KHz, 8mA DC Bias |
| 3.0 LEAKAGE INDUCTANCE: | P6-P4 (WITH J6 AND J3 SHORT)
P3-P1 (WITH J2 AND J1 SHORT) | : 0.3 MAX. @ 1MHz
: 0.6 MAX. @ 1MHz |
| 4.0 INTERWINDING CAPACITANCE: | $(P6, P5, P4)$ TO $(J6, J3)$
$(P3, P2, P1)$ TO $(J2, J1)$ | : 30pf MAX @ 1MHz
: 30pf MAX @ 1MHz |
| 5.0 DC RESISTANCE: | $(J6-J3)=(J2-J1)$ | : 1.2 ohms Max. |

Bel Stewart C
11118 Susquehanna
Glen Rock, Pa 1732
717.234.7512

RECEIVE

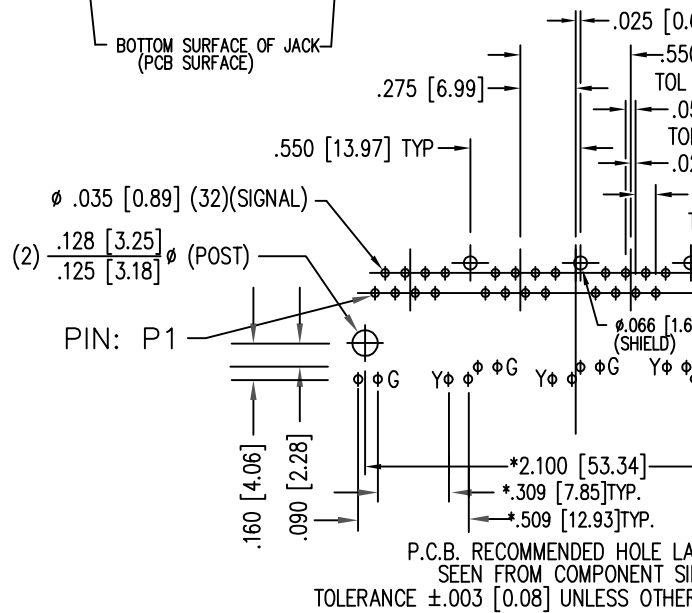
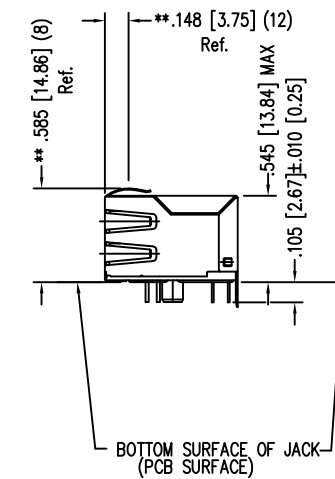
- 6.0 RETURN LOSS: 1MHz TO 30MHz : 18dB MIN.
30MHz TO 60MHz : 12dB MIN.
- 7.0 DIELECTRIC WITHSTAND: (J1, J2) TO (P1, P3) : 1500 VAC
(J3, J6) TO (P4,P6) : 1500 VAC
- 8.0 INSERTION LOSS: 100KHz TO 100MHz : 1.1 dB TYP
100KHz TO 10MHz
- 9.0 RISE TIME: RS=100 OHMS AND RL = 100 OHMS : 3.0 nS MAX
OUTPUT VOLTAGE = 1 V peak : 3.0 nS MAX
PULSE WIDTH= 112nS
- 10.0 CROSS TALK: 1MHz TO 100 MHz : 30 dB TYP
- 11.0 COMMON TO COMMON MODE ATTENUATION: 30MHz TO 100MHz : 35dB TYP



LED SPECIFICATION

POWER DISSIPATION: 105mW
 FORWARD VOLTAGE *:
 YELLOW : 2.1V (TYP) ; 2.5V (MAX)
 GREEN : 2.25V (TYP) ; 2.6V (MAX)
 INTENSITY @ 10ma : 2-8 MCD
 WAVELENGTH :
 YELLOW : 590 nm
 GREEN : 565 nm
 * WITHA FORWARD CURRENT OF 20mA

CT720091/CT720074/24-0276

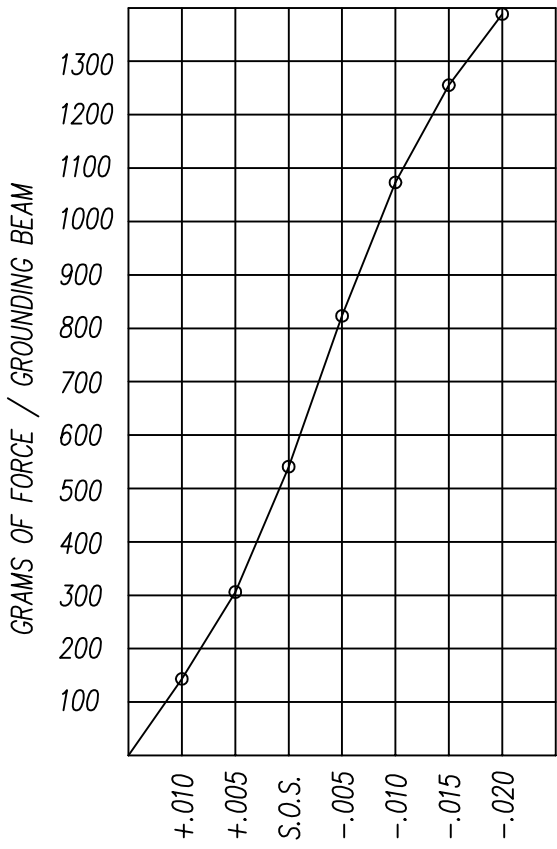


NOTES:

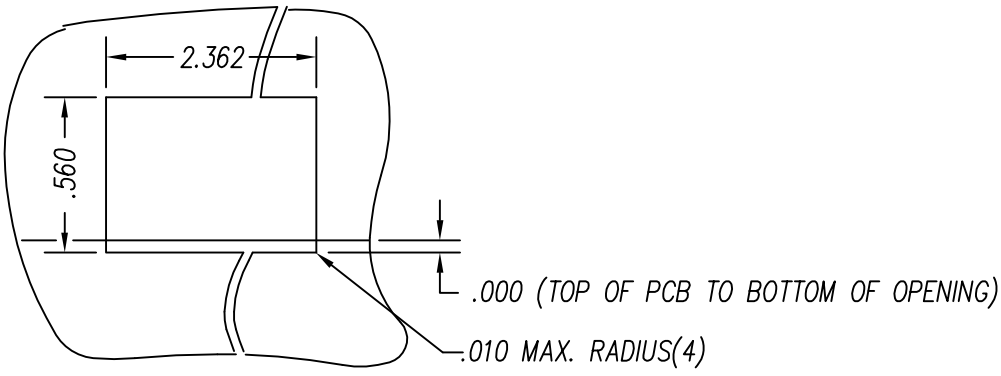
- TOLERANCES COMPLY WITH
- DIMENSIONS SHOWN WITH ABOUT CENTER LINE
- "**" ON DIMENSION INDICATES
- DIMENSIONS SHOWN ARE
- PIN NOT ELECTRICALLY CONNECTED
- SEE ELECTRICAL DRAWING FOR
- STANDARD 50 MICRO-INCH
- HIGH TEMPERATURE REFERENCE
- ALL POLYMERS FLAMMABLE

THIS DRAWING AND THE SUBJECT MATTER SHOWN THEREON ARE CONFIDENTIAL AND PROPERTY OF BEL STEWART CONNECTOR AND SHALL NOT BE REPRODUCED, COPIED, OR USED IN ANY MANNER WITHOUT PRIOR WRITTEN CONTENT OF BEL STEWART CONNECTOR. THE SUBJECT MATTER MAY BE PATENTED OR A PATENT MAY BE PENDING.

Bel Stewart Corporation
 11118 Susquehanna
 Glen Rock, Pa 17322
 717.234.7512

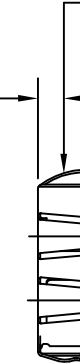


PANEL GROUNDING BEAM DEFLECTION
S.O.S. = SUGGESTED OPENING SIZE



SUGGESTED PANEL OPENING

CT720035X1/24-0276



.275 MAX

THE SUGGESTED
TO GIVE THE US
REASONABLE JA
YET MAINTAIN R
CAPABILITY. TH
ADJUSTED IN EI
CARRY SOME CO
OF LOWER MATI
ASSEMBLY TOLE
ON THE GRAPH
TAKEN AT THE
ABOVE. THE S
INCLUDES APPR
ON THE SIDES A
BOTTOM.

Bel Stewart C
11118 Susquehanna
Glen Rock, Pa 1732
717.234.7512

THIS DRAWING AND THE SUBJECT MATTER SHOWN THEREON ARE CONFIDENTIAL AND PROPERTY OF BEL STEWART CONNECTOR AND SHALL NOT BE REPRODUCED, COPIED, OR USED IN ANY MANNER WITHOUT PRIOR WRITTEN CONTENT OF BEL STEWART CONNECTOR. THE SUBJECT MATTER MAY BE PATENTED OR A PATENT MAY BE PENDING.