

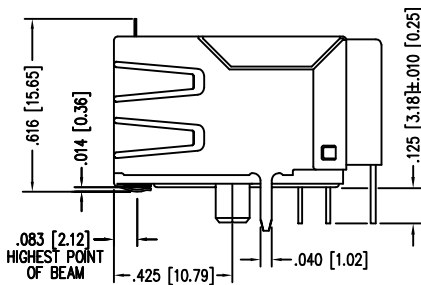
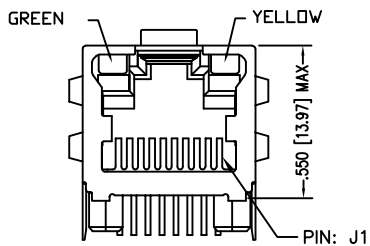
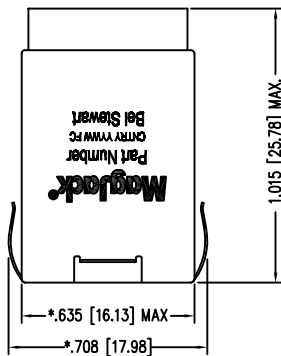
ELECTRICAL SPECIFICATIONS:

- |     |                           |                                 |  |                      |
|-----|---------------------------|---------------------------------|--|----------------------|
| 1.0 | Turns Ratio:              | (P7-P6-P8) : (J3-J6)            | : 1CT : 1CT ± 3%                         | NOTE<br>1.0 P<br>CON |
|     |                           | (P1-P3-P2) : (J1-J2)            | : 1CT : 1CT ± 3%                         |                      |
| 2.0 | Inductance:               | (P7-P8)                         | : 350uH MIN. @ 0.1V, 100KHz, 8mA DC Bias |                      |
|     |                           | (P1-P2)                         | : 350uH MIN. @ 0.1V, 100KHz, 8mA DC Bias |                      |
| 3.0 | Leakage Inductance:       | P8-P6-P7 (WITH J6 AND J3 SHORT) | : 0.3uH MAX. @ 1MHz                      |                      |
|     |                           | P2-P3-P1 (WITH J2 AND J1 SHORT) | : 0.3uH MAX. @ 1MHz                      |                      |
| 4.0 | Interwinding Capacitance: | (P8,P6,P7) TO (J6,J3)           | : 30pf MAX @ 1MHz                        |                      |
|     |                           | (P2,P3,P1) TO (J2,J1)           | : 30pf MAX @ 1MHz                        |                      |
| 5.0 | DC Resistance:            | (J6-J3)=(J2-J1)                 | : 1.2 ohms Max.                          |                      |

Bel Stewart C  
11118 Susquehanna  
Glen Rock, Pa 1732  
717.234.7512

RECEIVE

- 6.0 RETURN LOSS: (P7-P8)=100 OHMS AND (P1-P2)=100 OHM REF.  
1MHz TO 30MHz : 18dB MIN.  
30MHz TO 80MHz : 12dB MIN.  
NOTE: 100 OHMS CONNECTED TO (J2-J1) OR (J6-J3).
- 7.0 DIELECTRIC WITHSTAND: (J1, J2) TO (P1, P2) : 1500 VAC  
(J3, J6) TO (P7,P8) : 1500 VAC
- 8.0 INSERTION LOSS: RS=RL=100 ohms : 1.1 dB TYP  
100KHz TO 100MHz
- 9.0 RISE TIME: RS=100 OHMS AND RL = 100 OHMS : 3.0 nS MAX  
OUTPUT VOLTAGE = 1 V peak : 3.0 nS MAX  
PULSE WIDTH= 112nS
- 10.0 CROSS TALK: 1-100 MHz : 30 dB TYP
- 11.0 COMMON TO COMMON MODE ATTENUATION: 1MHz TO 100MHz : 35dB TYP



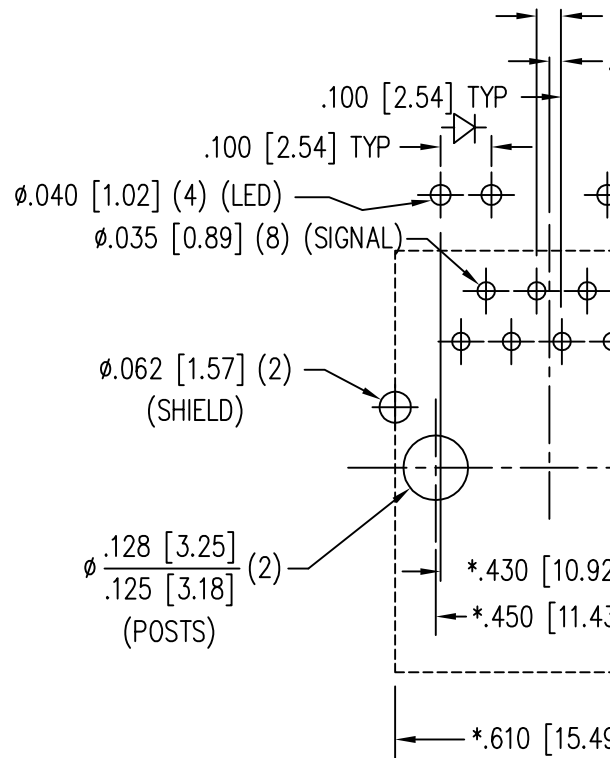
STANDARD LED	WAVELENGTH	* Forward V (MAX)	(TYP)
YELLOW	590 nm	2.5 V	2.1 V
GREEN	565 nm	2.5 V	2.2 V

\* WITH A FORWARD CURRENT OF 20 mA

NOTES:

- TOLERANCES COMPLY WITH F.C.C. DIMENSION REQUIREMENTS
- DIMENSIONS SHOWN WITH "\*" TO BE CENTRAL ABOUT CENTER LINE
- DIMENSIONS SHOWN ARE SUBJECT TO CHANGE WITHOUT NOTICE.
- PIN NOT ELECTRICALLY CONNECTED MAYBE OMITTED. SEE ELECTRICAL DRAWING FOR OMITTED PINS.
- STANDARD 50 MICRO-INCH SELECTIVE GOLD PLATING
- HIGH TEMPERATURE REFLOW COMPATABLE - 230°C/90 SEC MAX.
- ALL POLYMERS FLAMMABILITY - UL94V0

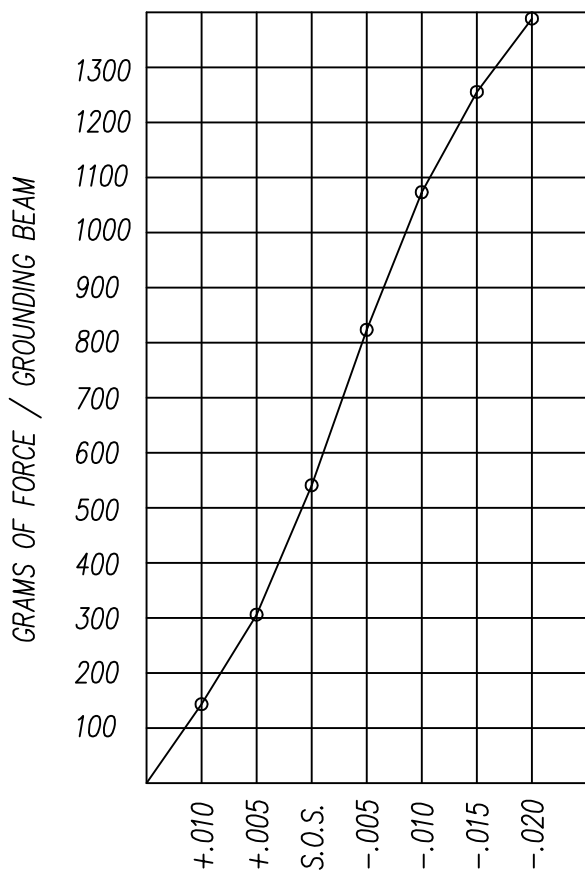
CT750006



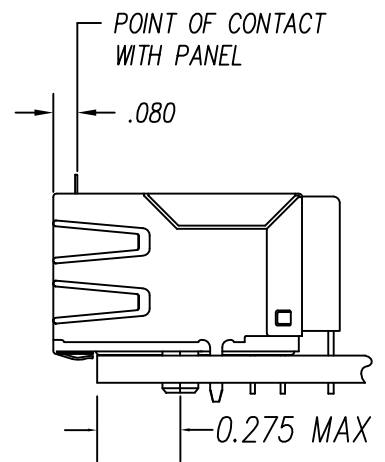
P.C.B. RECOMMENDED  
SEEN FROM COMPO  
TOLERANCE ±.003 [0.08] UNLES

THIS DRAWING AND THE SUBJECT MATTER SHOWN THEREON ARE CONFIDENTIAL AND PROPERTY OF BEL STEWART CONNECTOR AND SHALL NOT BE REPRODUCED, COPIED, OR USED IN ANY MANNER WITHOUT PRIOR WRITTEN CONTENT OF BEL STEWART CONNECTOR. THE SUBJECT MATTER MAY BE PATENTED OR A PATENT MAY BE PENDING.

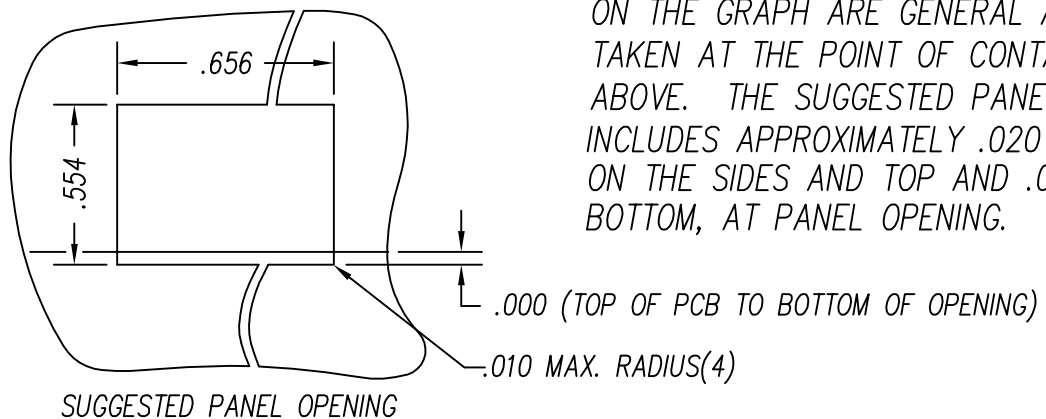
Bel Stewart C  
11118 Susquehanna  
Glen Rock, Pa 1732  
717.234.7512



PANEL GROUNDING BEAM DEFLECTION  
S.O.S. = SUGGESTED OPENING SIZE



THE SUGGESTED PANEL OPENING IS INTENDED TO GIVE THE USER THE ABILITY TO HAVE REASONABLE JACK / PANEL CLEARANCES YET MAINTAIN RELIABLE GROUNDING CAPABILITY. THESE VARIABLES CAN BE ADJUSTED IN EITHER DIRECTION BUT MAY CARRY SOME CONSEQUENCES IN THE FORM OF LOWER MATING FORCES OR TIGHTER ASSEMBLY TOLERANCES. FORCE VALUES ON THE GRAPH ARE GENERAL AVERAGES TAKEN AT THE POINT OF CONTACT SHOWN ABOVE. THE SUGGESTED PANEL OPENING INCLUDES APPROXIMATELY .020 CLEARANCE ON THE SIDES AND TOP AND .013 ON THE BOTTOM, AT PANEL OPENING.



SUGGESTED PANEL OPENING

CT720034X1/24-001302

THIS DRAWING AND THE SUBJECT MATTER SHOWN THEREON ARE CONFIDENTIAL AND PROPERTY OF BEL STEWART CONNECTOR AND SHALL NOT BE REPRODUCED, COPIED, OR USED IN ANY MANNER WITHOUT PRIOR WRITTEN CONTENT OF BEL STEWART CONNECTOR. THE SUBJECT MATTER MAY BE PATENTED OR A PATENT MAY BE PENDING.

Bel Stewart C  
11118 Susquehanna  
Glen Rock, Pa 1732  
717.234.7512

SHEET  
4 OF 4