

ELECTRICAL SPECIFICATIONS:

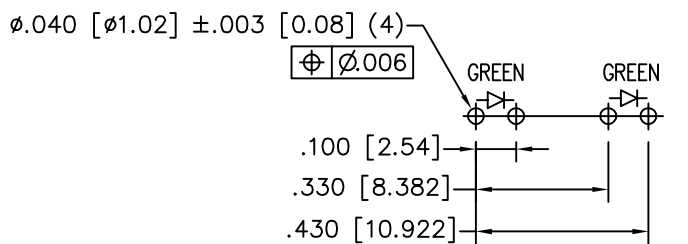
- | | | | |
|-----|---------------------------|---------------------------------|--|
| 1.0 | Turns Ratio: | (P7-P6-P8) : (J3-J6) | : 1CT : 1CT ± 3% |
| | | (P1-P3-P2) : (J1-J2) | : 1CT : 1CT ± 3% |
| 2.0 | Inductance: | (P7-P8) | : 350uH MIN. @ 0.1V, 100KHz, 8mA DC Bias |
| | | (P1-P2) | : 350uH MIN. @ 0.1V, 100KHz, 8mA DC Bias |
| 3.0 | Leakage Inductance: | P8-P6-P7 (WITH J6 AND J3 SHORT) | : 0.3uH MAX. @ 1MHz |
| | | P2-P3-P1 (WITH J2 AND J1 SHORT) | : 0.3uH MAX. @ 1MHz |
| 4.0 | Interwinding Capacitance: | (P8,P6,P7) TO (J6,J3) | : 30pf MAX @ 1MHz |
| | | (P2,P3,P1) TO (J2,J1) | : 30pf MAX @ 1MHz |
| 5.0 | DC Resistance: | (J6-J3)=(J2-J1) | : 1.2 ohms Max. |

NOTE
1.0 P
CON

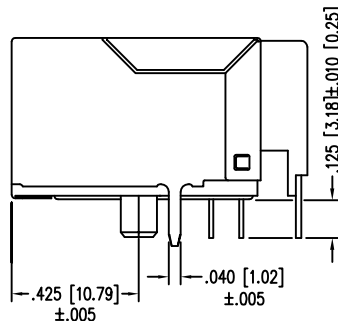
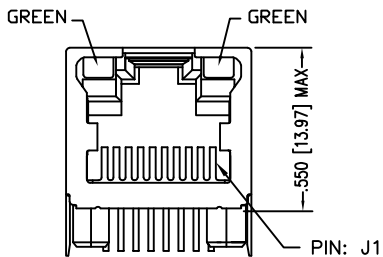
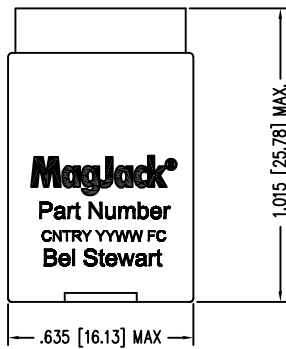
Bel Stewart C
11118 Susquehanna
Glen Rock, Pa 1732
717.234.7512

RECEIVE

- 6.0 RETURN LOSS: (P7-P8)=100 OHMS AND (P1-P2)=100 OHM REF.
1MHz TO 30MHz : 18dB MIN.
30MHz TO 80MHz : 12dB MIN.
NOTE: 100 OHMS CONNECTED TO (J2-J1) OR (J6-J3).
- 7.0 DIELECTRIC WITHSTAND: (J1, J2) TO (P1, P2) : 1500 VAC
(J3, J6) TO (P7,P8) : 1500 VAC
- 8.0 INSERTION LOSS: RS=RL=100 ohms : 1.1 dB TYP
100KHz TO 100MHz
- 9.0 RISE TIME: RS=100 OHMS AND RL = 100 OHMS : 3.0 nS MAX
OUTPUT VOLTAGE = 1 V peak : 3.0 nS MAX
PULSE WIDTH= 112nS
- 10.0 CROSS TALK: 1-100 MHz : 30 dB TYP
- 11.0 COMMON TO COMMON MODE ATTENUATION: 1MHz TO 100MHz : 35dB TYP

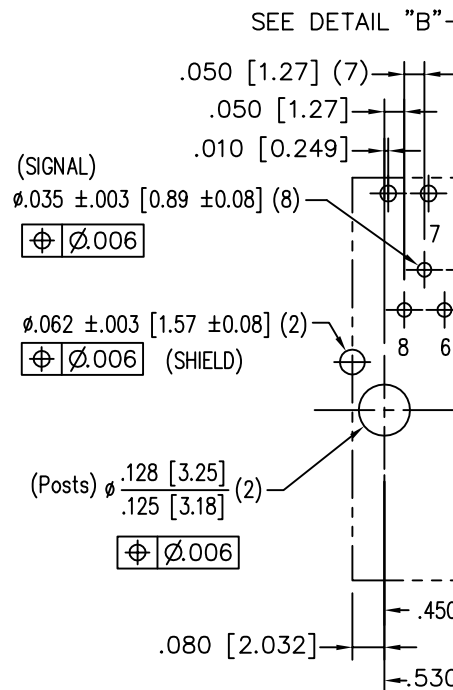


DETAIL "B"
TYPICAL LED HOLE LAYOUT



LED SPECIFICATION			
STANDARD LED	WAVELENGTH	* Forward V (MAX)	(TYP)
GREEN	565 nm	2.5 V	2.1 V

*WITH A FORWARD CURRENT OF 20 mA



P.C.B. RECOMMENDED
SEEN FROM

ALL CENTERLINE

NOTES:

1. CONNECTOR MOUNTING HOUSING: THE CONTACT/SHIELD CONTACT PLATING
2. PIN NOT ELECTRICAL - SEE ELECTRICAL SPECIFICATION
3. TOLERANCES COORDINATE
4. WAVE SOLDER CONTACT

Bel Stewart C
 11118 Susquehanna
 Glen Rock, Pa 17322
 717.234.7512