

ELECTRICAL SPECIFICATIONS:

- 1.0 INDUCTANCE:
- : 350uH MIN. @ 0.1V, 100KHz, 8mA DC Bias
 - : 350uH MIN. @ 0.1V, 100KHz, 8mA DC Bias
 - : 350uH MIN. @ 0.1V, 100KHz, 8mA DC Bias
 - : 350uH MIN. @ 0.1V, 100KHz, 8mA DC Bias

- 2.0 TURNS RATIO:
- : 1CT : 1CT ± 2%
 - : 1CT : 1CT ± 2%
 - : 1CT : 1CT ± 2%
 - : 1CT : 1CT ± 2%

Bel Stewart Connector
 11118 Susquehanna Trail, South
 Glen Rock, Pa 17327-9199
 717.234.7512
<http://www.stewartconnector.com>



SHEET 1 OF 4
 DRAWING NO. SI-51009-F
 REV. 05

THIS DRAWING AND THE SUBJECT MATTER SHOWN THEREON ARE CONFIDENTIAL AND PROPERTY OF BEL STEWART CONNECTOR AND SHALL NOT BE REPRODUCED, COPIED, OR USED IN ANY MANNER WITHOUT PRIOR WRITTEN CONTENT OF BEL STEWART CONNECTOR. THE SUBJECT MATTER SHOWN HEREON MAY BE PATENTED OR A PATENT MAY BE PENDING FOR BEL STEWART CONNECTOR.

3.0 RETURN LOSS: 100 OHM REF.

500kHz TO 40MHz

40MHz TO 100MHz

: -18dB MIN.

: -12+20LOG(f/80MHz) MIN.

4.0 INSERTION LOSS: RS=RL=100 OHMS

100kHz TO 100MHz

: 1.2dB MAX.

5.0 CROSS TALK: Ch1-Ch2, Ch1-Ch3, Ch1-Ch4, Ch2-Ch3, Ch2-Ch4, Ch3-Ch4

1MHz TO 30MHz

30MHz TO 80MHz

80MHz TO 100MHz

: -35dB MIN.

: -24dB MIN.

: -25dB MIN.

6.0 CM TO CM REJECTION:

100kHz TO 100MHz

: -30dB MIN.

7.0 CM TO DM REJECTION:

100kHz TO 100MHz

: -35dB MIN.

8.0 VOLTAGE WITHSTAND:

(J1, J2) TO (P2, P3)

(J3, J6) TO (P4, P5)

(J4, J5) TO (P7, P8)

(J7, J8) TO (P9, P10)

: 1500 Vrms

: 1500 Vrms

: 1500 Vrms

: 1500 Vrms

Bel Stewart Connector

11118 Susquehanna Trail, South

Glen Rock, Pa 17327-9199

717.234.7512

MagJack®

<http://www.stewartconnector.com>

THIS DRAWING AND THE SUBJECT MATTER SHOWN THEREON ARE CONFIDENTIAL AND PROPERTY OF BEL STEWART CONNECTOR AND SHALL NOT BE REPRODUCED, COPIED, OR USED IN ANY MANNER WITHOUT PRIOR WRITTEN CONTENT OF BEL STEWART CONNECTOR. THE SUBJECT MATTER SHOWN HEREON MAY BE PATENTED OR A PATENT MAY BE PENDING FOR BEL STEWART CONNECTOR.

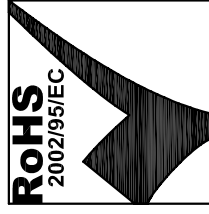
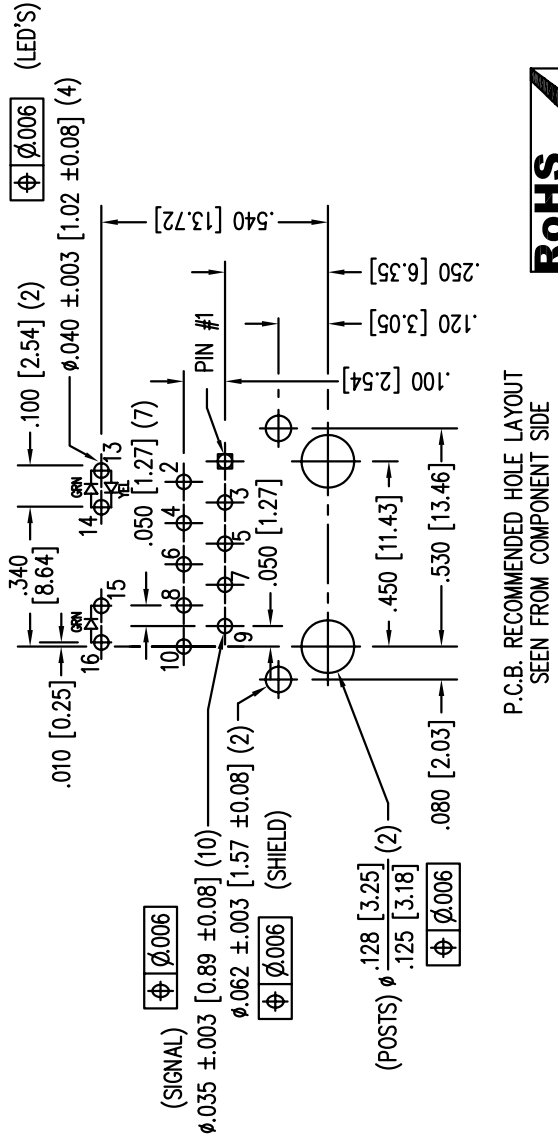
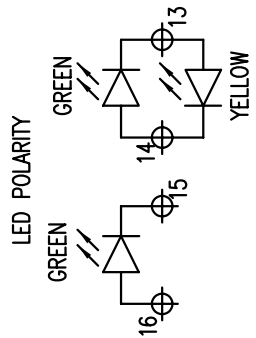
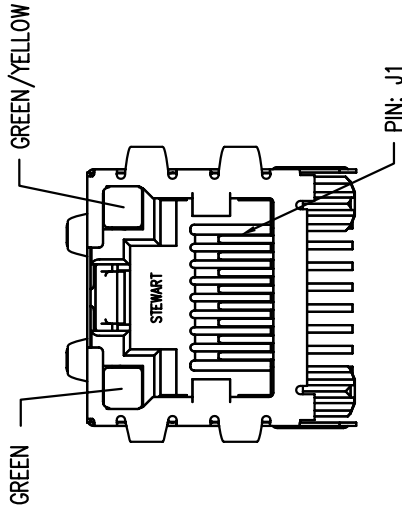
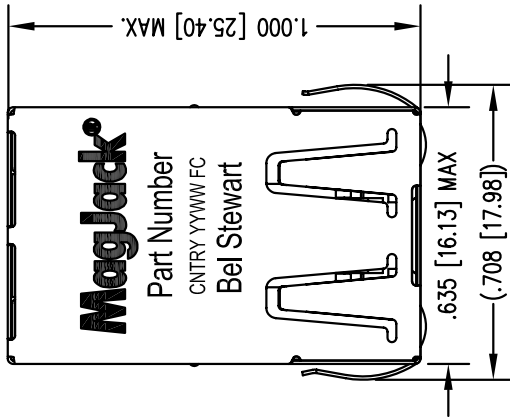
SHEET 2 OF 4

DRAWING NO.

SI-51009-F

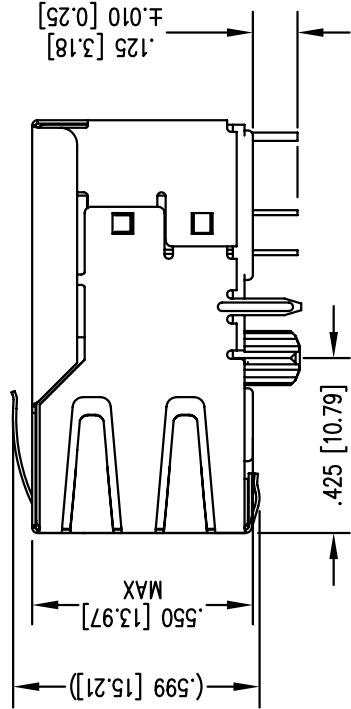
REV.

05



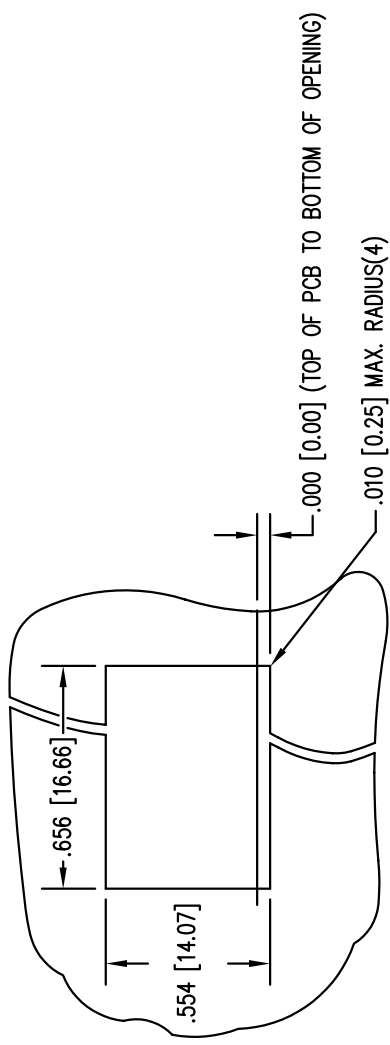
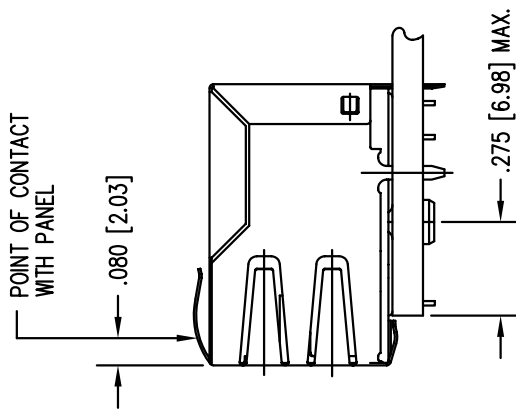
NOTES:

- CONNECTOR MATERIALS:
 HOUSING: THERMOPLASTIC UL94 V-0
 CONTACT/SHIELD: COPPER ALLOY
 SHIELD PLATING: NICKEL OR TIN
 CONTACT PLATING: SELECTIVE GOLD,
 50 MICRO-INCHES MIN. IN CONTACT AREA.
- PIN NOT ELECTRICALLY CONNECTED MAYBE OMITTED.
 SEE ELECTRICAL DRAWING FOR OMITTED PINS.
- TOLERANCES COMPLY WITH F.C.C. DIMENSION REQUIREMENTS.
- ALL TOLERANCES NOT OTHERWISE SPECIFIED TO BE ± 0.005 [0.13]
- REFLOW AND WAVE SOLDER COMPATIBLE -260°C FOR 10 SECONDS MAX.



LED SPECIFICATION		
LED COLOR	WAVELENGTH	FORWARD V (MAX) * (TYP)
GREEN	565 nm	2.5 V 2.2 V
YELLOW	590 nm	2.5 V 2.1 V

*WITH A FORWARD CURRENT OF 20 mA (TYP)



SUGGESTED PANEL OPENING

1. THE SUGGESTED PANEL OPENING IS INTENDED TO GIVE THE USER THE ABILITY TO HAVE REASONABLE JACK / PANEL CLEARANCES YET MAINTAIN RELIABLE GROUNDING CAPABILITY.
2. ALL TOLERANCES NOT OTHERWISE SPECIFIED TO BE $\pm .005$ [0.13]

Bel Stewart Connector
 11118 Susquehanna Trail, South
 Glen Rock, Pa 17327-9199
 717.234.7512

MagJack®
<http://www.stewartconnector.com>

THIS DRAWING AND THE SUBJECT MATTER SHOWN THEREON ARE CONFIDENTIAL AND PROPERTY OF BEL STEWART CONNECTOR AND SHALL NOT BE REPRODUCED, COPIED, OR USED IN ANY MANNER WITHOUT PRIOR WRITTEN CONTENT BEL STEWART CONNECTOR. THE SUBJECT MATTER SHOWN THEREON MAY BE PATENTED OR A PATENT MAY BE PENDING FOR BEL STEWART CONNECTOR.

SHEET	DRAWING NO.	REV.
4 OF 4	SI-51009-F	05