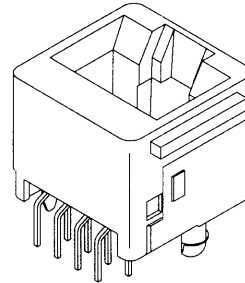


42878

Vertical, Low Profile For .062" and .125" PCB



FEATURES AND SPECIFICATIONS

Features and Benefits

- Meets UL 1086 Section 8 Electrical Probe and UL 1863 Section 20 Childs Finger Test
- No exposed leads to meet British Telecom 4000V test
- Contact tips guided within FCC-specified target zone—Positive alignment prevents shorting
- 100% tested for hi-pot and continuity
- .500" height is industry lowest

Reference Information

Product Specification: PS-42410
 Packaging: Tray
 UL File No.: E107635
 CSA File No.: LR19980
 Mates With: WE Co. and FCC 68 plugs
 Designed In: Inches

Electrical

Voltage: 125V
 Current: 1.5A
 Contact Resistance: 10mΩ max.
 Dielectric Withstanding Voltage: 1000V AC rms
 Insulation Resistance: 500 MΩ min.

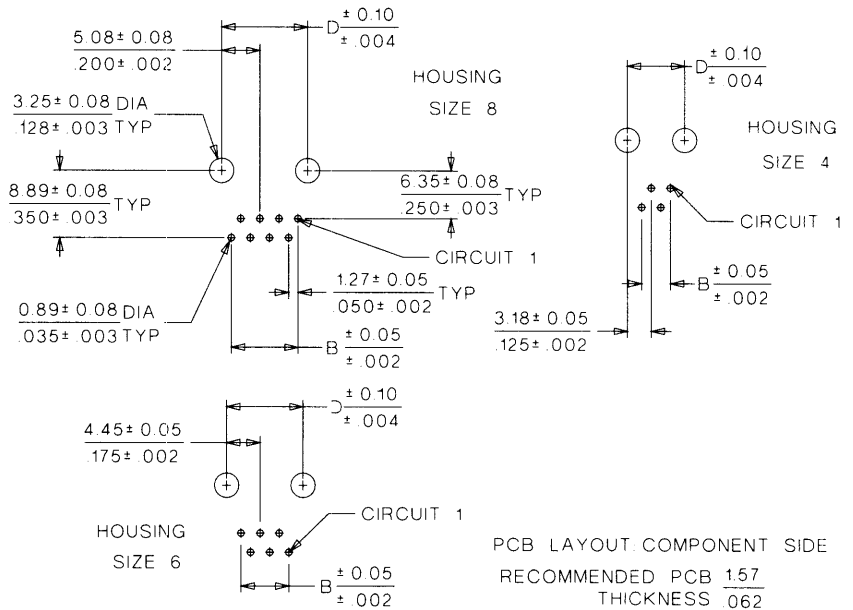
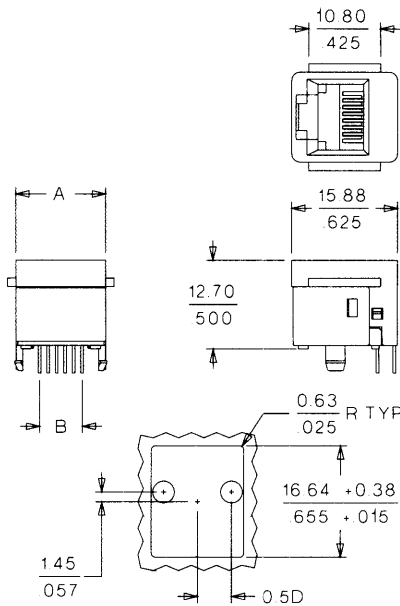
Mechanical

Durability: 500 cycles min.

Physical

Housing: Black glass-filled polyester, UL 94V-0
 Contact: Phosphor Bronze
 Plating: 1.27μm (50μ") min. Gold in contact area and 1.27μm (50μ") Tin/Lead on solder tails both over Nickel overall
 Operating Temperature: -40 to +80°C

CATALOG DRAWING (FOR REFERENCE ONLY)



ORDERING INFORMATION AND DIMENSIONS

Circuits	Loaded Contacts	Order No.				Dimension		
		.062" PCB		.125" PCB		A	B	D
		Flush Mount	Flangeless	Flush Mount	Flangeless			
4	2	42878-4360	42878-4362	42878-4408	42878-4410	11.43 (.450)	1.27 (.050)	7.62 (.300)
4	4	42878-4216	42878-4218	42878-4264	42878-4266	11.43 (.450)	3.81 (.150)	7.62 (.300)
6	2	42878-6504	42878-6506	42878-6552	42878-6554	13.20 (.520)	1.27 (.050)	10.16 (.400)
6	4	42878-6360	42878-6362	42878-6408	42878-6410	13.20 (.520)	3.81 (.150)	10.16 (.400)
6	6	42878-6216	42878-6218	42878-6264	42878-6266	13.20 (.520)	6.35 (.250)	10.16 (.400)
8	2	42878-9272	42878-9274	42878-9368	42878-9370	15.20 (.600)	1.27 (.050)	11.43 (.450)
8	4	42878-8984	42878-8986	42878-9080	42878-9082	15.20 (.600)	3.81 (.150)	11.43 (.450)
8	6	42878-8696	42878-8698	42878-8792	42878-8794	15.20 (.600)	6.35 (.250)	11.43 (.450)
8	8	42878-8408	42878-8410	42878-8504	42878-8506	15.20 (.600)	8.89 (.350)	11.43 (.450)

Note: Contact Molex for keying order numbers RJ-45 only