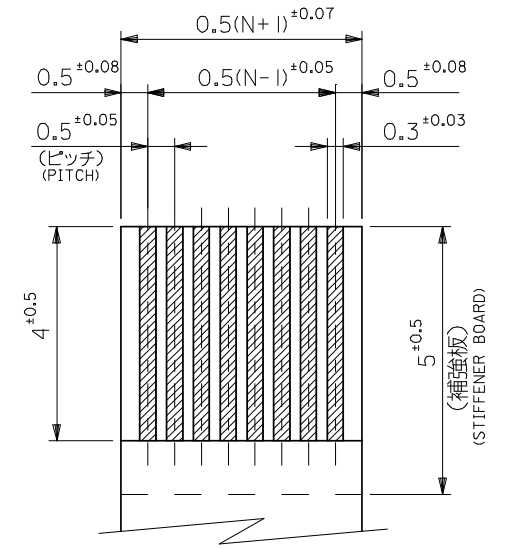
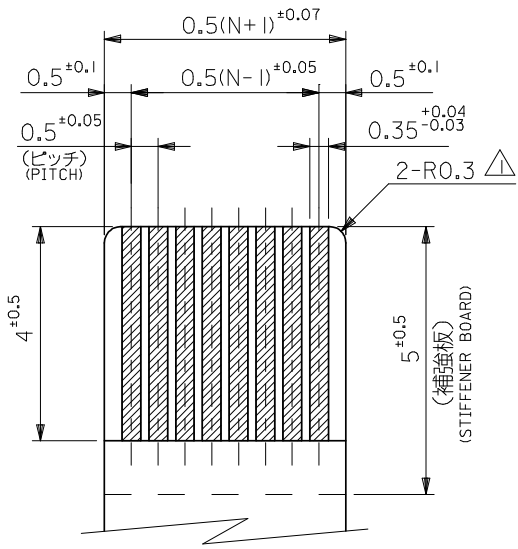
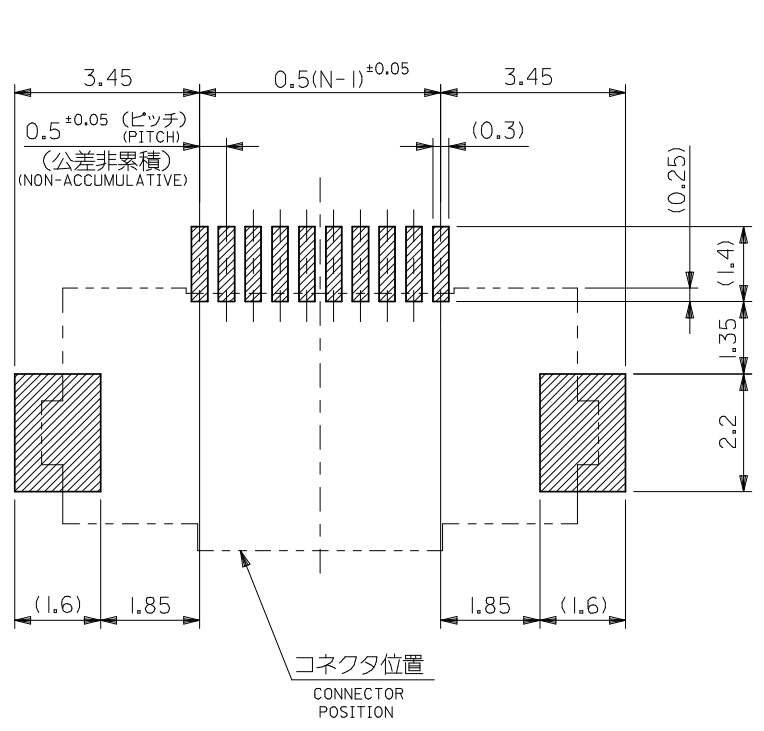


注記 NOTES

1. 使用材料 MATERIAL  
 ハウジング : 46ナイロン, UL94V-0  
 HOUSING : 46NYLON  
 アクチュエータ : PPS, UL94V-0  
 ACTUATOR  
 ターミナル : リン青銅 (t=0.2), ニッケル下地錫ピスマスメッキ  
 TERMINAL : PHOS-BRO, TIN-BISMUTH OVER NICKEL PLATED  
 金具 : リン青銅 (t=0.2), ニッケル下地錫メッキ  
 FITTING NAIL : PHOS-BRO, TIN OVER NICKEL PLATED
- △ パターンはくり止め用金具  
 FITTING NAIL FOR PREVENTION OF PEELING OF P.C.B. PATTERN.
- △ ソルダータール半田付け面のスレ量, 及び金具半田付け面のスレ量は, 基準面 Y に対し上方向 0.05MAX. 下方向 0.2MAX. とする。  
 MISALIGNMENT OF SOLDER TAILS AND FITTING NAILS FROM UPPER DIRECTION: 0.05 MAX., LOWER DIRECTION: 0.2 MAX.
- △ 偶数極に適用。  
 APPLY FOR EVEN CIRCUIT.
5. 本製品は52892-\*\*-17の鉛フリー品である。  
 THIS PRODUCT IS LEAD FREE OF 52892-\*\*-17

19.6	15.5	14.57	14.5	52892-3095	52892-3019	30
18.6	14.5	13.57	13.5	-2895	-2819	28
17.6	13.5	12.57	12.5	-2695	-2619	26
16.6	12.5	11.57	11.5	-2495	-2419	24
15.6	11.5	10.57	10.5	-2295	-2219	22
14.6	10.5	9.57	9.5	-2095	-2019	20
14.1	10.0	9.07	9.0	-1995	-1919	19
13.6	9.5	8.57	8.5	-1895	-1819	18
13.1	9.0	8.07	8.0	-1795	-1719	17
12.6	8.5	7.57	7.5	-1695	-1619	16
12.1	8.0	7.07	7.0	-1595	-1519	15
11.6	7.5	6.57	6.5	-1495	-1419	14
11.1	7.0	6.07	6.0	-1395	-1319	13
10.6	6.5	5.57	5.5	-1295	-1219	12
10.1	6.0	5.07	5.0	-1195	-1119	11
9.6	5.5	4.57	4.5	-1095	-1019	10
8.6	4.5	3.57	3.5	52892-0895	52892-0819	8
D	C	B	(A)	EMBOSSED TAPE ORDER No. オーダー番号	MATERIAL NO.	極数 CIRCUIT

REVISED EC NO: J2008-4308 DRWN: NABEI 2008/06/27 CHKD: THARUYAMA 2008/06/30 APPR: NUKITA 2008/06/30 DESCRIPTION REV	GENERAL TOLERANCES (UNLESS SPECIFIED)		DIMENSION STYLE	SCALE	DESIGN UNITS	THIRD ANGLE PROJECTION
			MM ONLY	---	METRIC	
	10 UNDER	±0.2	DRAWN BY	DATE	TITLE	
	10 OVER 30 UNDER	±0.25	M. NABEI	2004/01/09	0.5 FPC CONN ASSY ZIF SMT RA(BTM CONT) E/O -LEAD FREE-	
	30 OVER	±0.3	CHECKED BY	DATE	MOLEX INCORPORATED	
ANGULAR	±3	M. SASAO	2004/01/09	MATERIAL NO. DOCUMENT NO.		
DRAFT WHERE APPLICABLE MUST REMAIN WITHIN DIMENSIONS		SEE TABLE		SD-52892-040		SHEET NO. 1 OF 3
		SIZE A3		THIS DRAWING CONTAINS INFORMATION THAT IS PROPRIETARY TO MOLEX INCORPORATED AND SHOULD NOT BE USED WITHOUT WRITTEN PERMISSION		



適合FPC推奨寸法  
APPLICABLE FPC  
RECOMMENDED DIMENSION  
(仕上がり厚さ: 0.3 ± 0.03)  
(THICKNESS: 0.3 ± 0.03)

適合FFC推奨寸法  
APPLICABLE FFC  
RECOMMENDED DIMENSION  
(仕上がり厚さ: 0.3 ± 0.03)  
(THICKNESS: 0.3 ± 0.03)

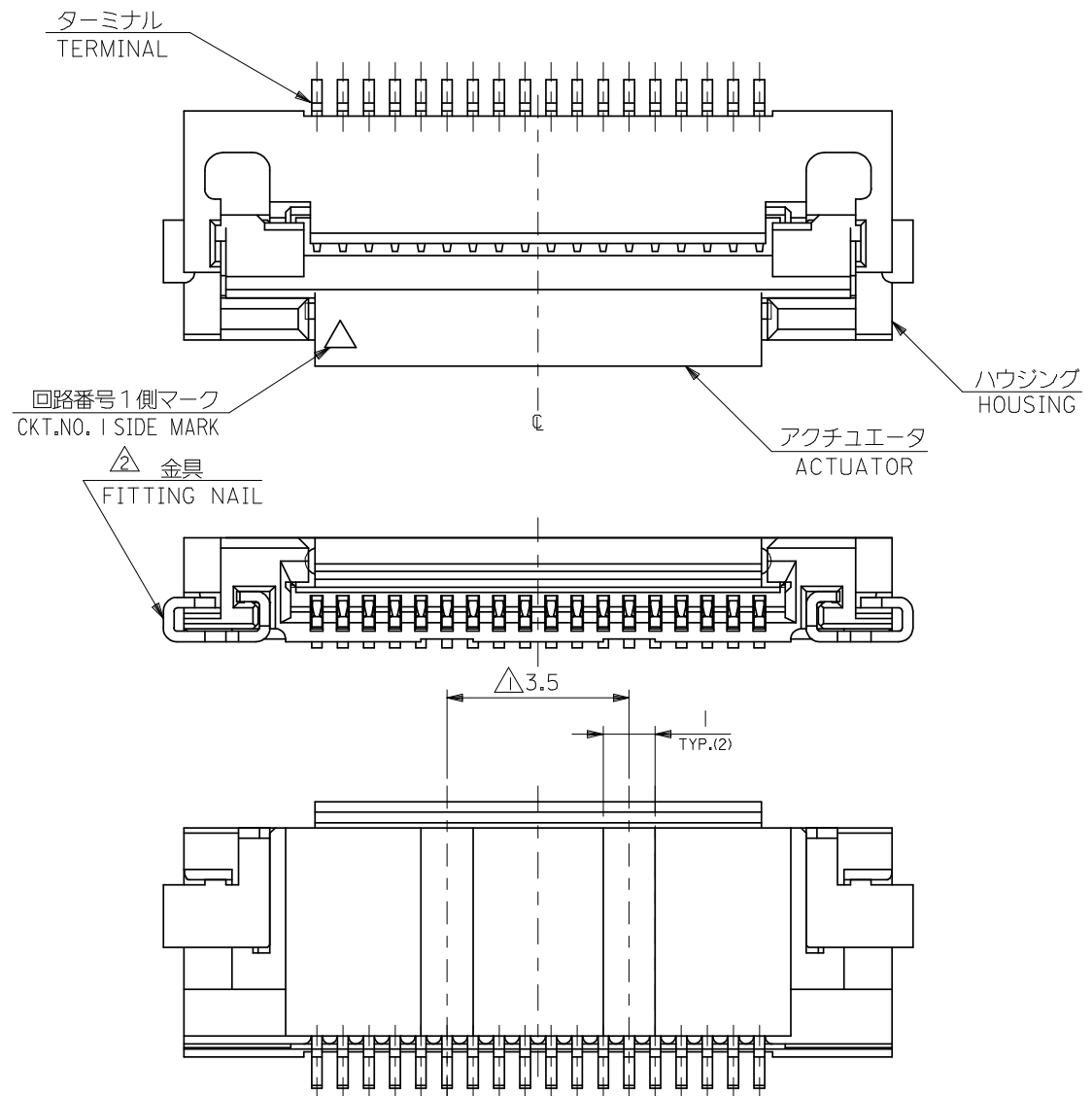
2. FPCについて:  
打抜き方向は導体側から補強板側を推奨致します。  
補強フィルム材質はポリイミドを推奨致します。  
接着剤は熱硬化接着剤を推奨致します。

ABOUT FPC:  
RECOMMENDED PUNCHER DIRECTION : FROM CONDUCTOR SIDE TO STIFFENER BOARD SIDE.  
RECOMMENDED MATERIAL:  
STIFFENER FILM : POLYIMIDE  
BONDING AGENT : THERMOSETTING BONDING AGENT

注記 NOTES

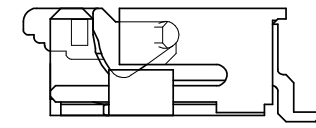
△ R0.3は、FPCの導体部にかからないこと。  
R0.3 MUST NOT BE OVERLAPPED TO PATTERN OF FPC.

REVISED EC NO: J2008-4308 DRAWN: NABEI 2008/06/27 CHKD: THARUYAMA 2008/06/30 APPR: NUKITA 2008/06/30	DESCRIPTION	GENERAL TOLERANCES (UNLESS SPECIFIED)		DIMENSION STYLE MM ONLY		SCALE ---	52892-**19	MODEL NO.
		10 UNDER	± 0.2	DRAWN BY M. NABEI	DATE 2004/01/09	TITLE	DESIGN UNITS METRIC	THIRD ANGLE PROJECTION
		10 OVER 30 UNDER	± 0.25	CHECKED BY M. SASAO	DATE 2004/01/09	0.5 FPC CONN ASSY ZIF SMT RA(BTM CONT) E/O -LEAD FREE-	MOLEX INCORPORATED	SHEET NO. 2 OF 3
		30 OVER	± 0.3	APPROVED BY M. SASAO	DATE 2004/01/09			
		ANGULAR	± 3 °	MATERIAL NO. SEE SHEET 1		DOCUMENT NO. SD-52892-040		
DRAFT WHERE APPLICABLE MUST REMAIN WITHIN DIMENSIONS		THIS DRAWING CONTAINS INFORMATION THAT IS PROPRIETARY TO MOLEX INCORPORATED AND SHOULD NOT BE USED WITHOUT WRITTEN PERMISSION						



**金型変更に伴う形状変更品形状図**  
 APPLY CHANGED FORM AT CHANGED DIE

注記 NOTES  
 △ 18極以上は2ヶ所、10~16極はハウジングセンター上に1ヶ所とする。  
 18 CKTS & MORE THAN 18 CKTS PLACED 2 POINT.  
 10~16 CKTS PLACED 1 POINT ON HOUSING CENTER.

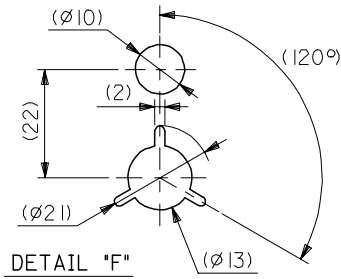
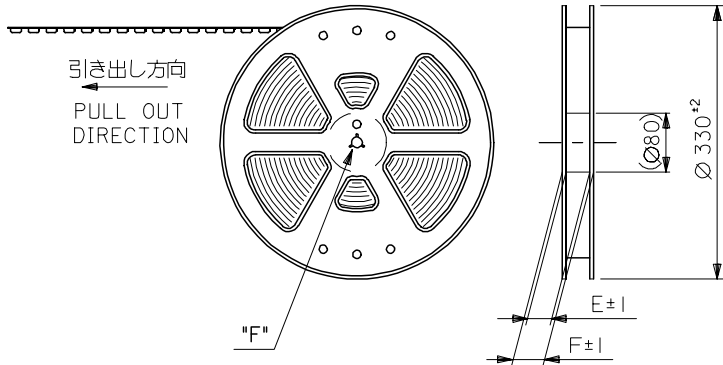


REVISED	DESCRIPTION
EC NO: J2008-4308	2008/06/27
DRWN: NABEI	2008/06/30
CHKD: THARUYAMA	2008/06/30
APPR: NUKITA	2008/06/30
B	REV

GENERAL TOLERANCES (UNLESS SPECIFIED)	
10 UNDER	±0.2
10 OVER 30 UNDER	±0.25
30 OVER	±0.3
ANGULAR	±3 °
DRAFT WHERE APPLICABLE MUST REMAIN WITHIN DIMENSIONS	

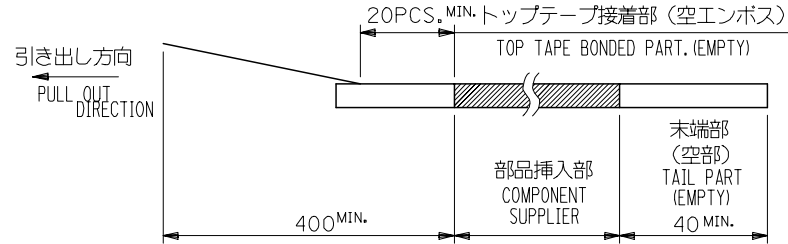
DIMENSION STYLE	
MM ONLY	
DRAWN BY	DATE
M. NABEI	2004/01/09
CHECKED BY	DATE
M. SASAO	2004/01/09
APPROVED BY	DATE
M. SASAO	2004/01/09
MATERIAL NO.	
SEE SHEET 1	
SIZE	
A3	

52892-**19	MODEL NO.
DESIGN UNITS	THIRD ANGLE PROJECTION
METRIC	
TITLE	
0.5 FPC CONN ASSY ZIF SMT RA(BTM CONT) E/O -LEAD FREE-	
MOLEX INCORPORATED	
DOCUMENT NO.	SHEET NO.
SD-52892-040	3 OF 3
THIS DRAWING CONTAINS INFORMATION THAT IS PROPRIETARY TO MOLEX INCORPORATED AND SHOULD NOT BE USED WITHOUT WRITTEN PERMISSION	

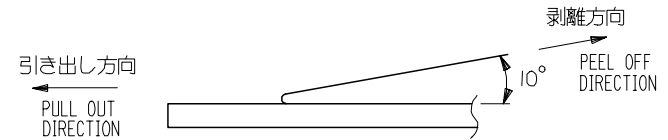


注記 NOTES

- 製品詳細寸法については図面 SD-52892-040 を参照下さい。  
RE DETAILED DIMENSION, SEE SD-52892-040
- 梱包数量：1000個/リール  
NUMBER OF CONNECTORS：1000PCS/REEL
- リードテープ長さ LEAD TAPE LENGTH



- トップテープの剥離強度： 0.1N ~ 1.3N(10 ~ 130gf)  
(剥離方向は下図参照)  
尚、本規格値は出荷時に適用。(但し、輸送時に剥離が発生しないこと。)  
PEELING OFF FORCE OF TOP TAPE：0.1N ~ 1.3N(10 ~ 130gf)  
(PEELING DIRECTION AS SHOWN IN FOLLOWING FIG.)  
THIS REQUIREMENT SHOULD BE APPLIED AT SHIPMENT.  
PEEL OFF SHOULD NOT BE ALLOWED, DURING TRANSPORTATION.

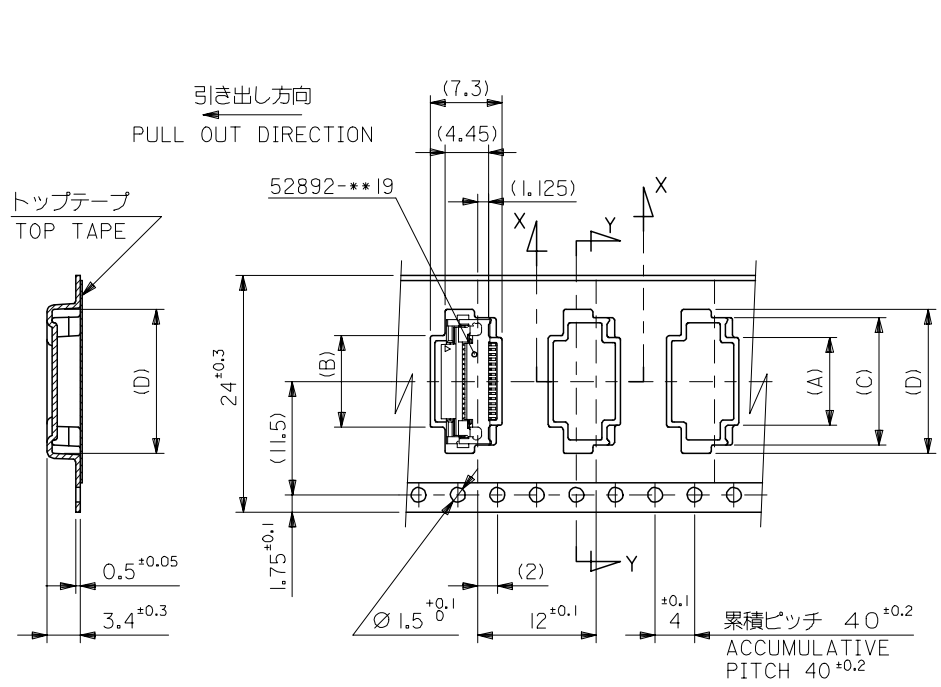


- 材料(MATERIAL)  
キャリアテープ(CARRIER TAPE)：ポリプロピレン(POLYPROPYLENE)  
トップテープ(TOPTAPE)：PET, PE, PEF  
リール(REEL)：ポリスチレン(PS) <リサイクル材を含む>  
POLYSTYRENE(PS) <RECYCLE MATERIAL CONTAINED>
- 本製品は52892-\*\*\*90の鉛フリー品である。  
THIS PRODUCT IS LEAD FREE OF 52892-\*\*\*90

REVISED EC NO: J2005-1026 DRWN: SASAMOR 2004/10/06 CHKD: TOJO 2004/10/07 APPR: NUKITA 2004/10/12	GENERAL TOLERANCES (UNLESS SPECIFIED)		DIMENSION STYLE MM ONLY		SCALE ---	DESIGN UNITS METRIC	THIRD ANGLE PROJECTION	
	10 UNDER	±0.2	DRAWN BY M. NABEI	DATE 2004/01/09	TITLE EMBOSSD TAPE PACKAGE FOR 0.5 FPC CONN. -LEAD FREE-			
	10 OVER 30 UNDER	±0.25	CHECKED BY M. SASAO	DATE 2004/01/09	MOLEX INCORPORATED			
	30 OVER	±0.3	APPROVED BY M. SASAO	DATE 2004/01/09	DOCUMENT NO. SD-52892-041 SHEET NO. 1 OF 2			
A	DRAFT WHERE APPLICABLE MUST REMAIN WITHIN DIMENSIONS		MATERIAL NO. 52892-***95		THIS DRAWING CONTAINS INFORMATION THAT IS PROPRIETARY TO MOLEX INCORPORATED AND SHOULD NOT BE USED WITHOUT WRITTEN PERMISSION			

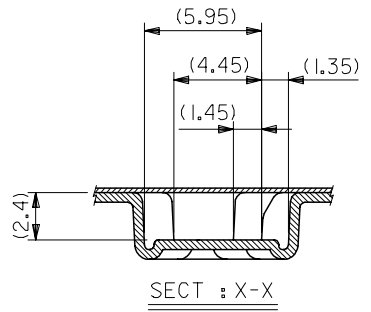
10 9 8 7 6 5 4 3 2 1

F  
E  
D  
C  
B  
A

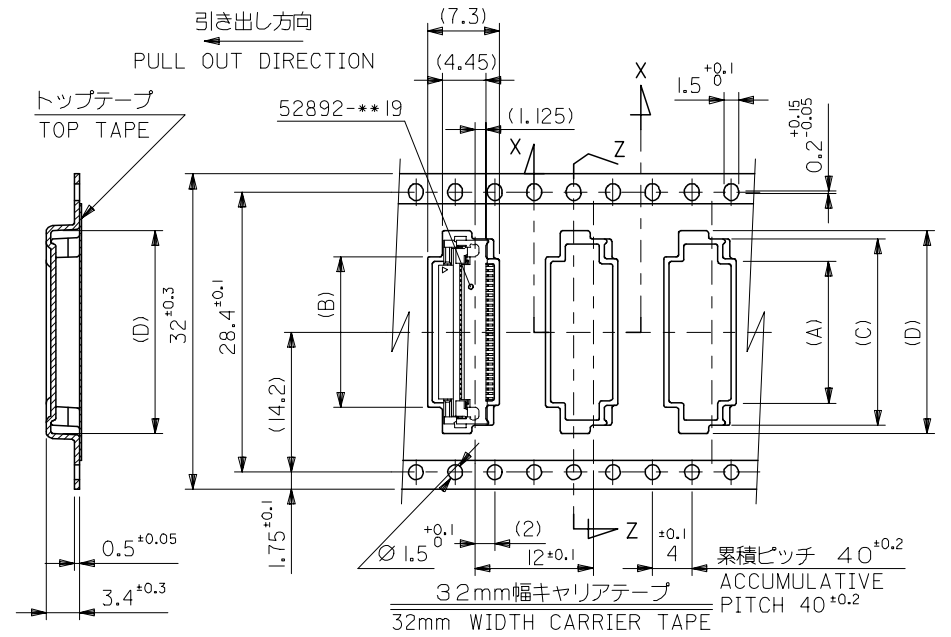


SECT : Y-Y

24mm幅キャリアテープ  
24mm WIDTH CARRIER TAPE



SECT : X-X



SECT : Z-Z

32mm幅キャリアテープ  
32mm WIDTH CARRIER TAPE

32	37.4	33.4	21.6	19.9	16.1	15.9	52892-3095	30		
			20.6	18.9	15.1	14.9	-2895	28		
			19.6	17.9	14.1	13.9	-2695	26		
			18.6	16.9	13.1	12.9	-2495	24		
			17.6	15.9	12.1	11.9	-2295	22		
			16.6	14.9	11.1	10.9	-2095	20		
			16.1	14.4	10.6	10.4	-1995	19		
			15.6	13.9	10.1	9.9	-1895	18		
			15.1	13.4	9.6	9.4	-1795	17		
			14.6	12.9	9.1	8.9	-1695	16		
24	29.4	25.4	14.1	12.4	8.6	8.4	-1595	15		
			13.6	11.9	8.1	7.9	-1495	14		
			13.1	11.4	7.6	7.4	-1395	13		
			12.6	10.9	7.1	6.9	-1295	12		
			12.1	10.4	6.6	6.4	-1195	11		
			11.6	9.9	6.1	5.9	-1095	10		
			10.6	8.9	5.1	4.9	52892-0895	8		
			キャリアテープ幅 CARRIER TAPE WIDTH							極数 CIRCUIT
			F	E	(D)	(C)	(B)	(A)	MATERIAL NO.	

REVISED EC NO: J2005-1026 DRWN: SASAMOR 2004/10/06 CHKDK: TOJO 2004/10/07 APPR: NUKITA 2004/10/12	GENERAL TOLERANCES (UNLESS SPECIFIED)		DIMENSION STYLE MM ONLY		SCALE ---	DESIGN UNITS METRIC	THIRD ANGLE PROJECTION	
	10 UNDER	±0.2	DRAWN BY M. NABEI		DATE 2004/01/09	TITLE EMBOSSD TAPE PACKAGE FOR 0.5 FPC CONN. -LEAD FREE-		
	10 OVER 30 UNDER	±0.25	CHECKED BY M. SASAO		DATE 2004/01/09	MOLEX INCORPORATED		
	30 OVER	±0.3	APPROVED BY M. SASAO		DATE 2004/01/09	DOCUMENT NO. SD-52892-041		
	ANGULAR	±3	MATERIAL NO. 52892-**-95		SIZE A3	SHEET NO. 2 OF 2		
DRAFT WHERE APPLICABLE MUST REMAIN WITHIN DIMENSIONS								