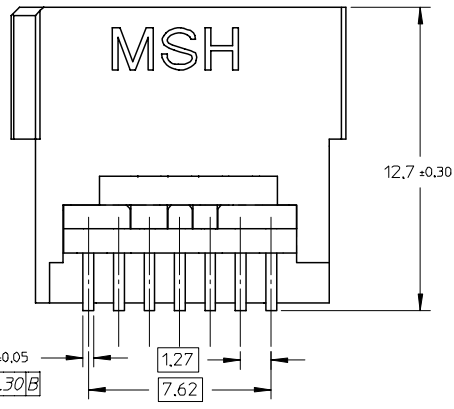
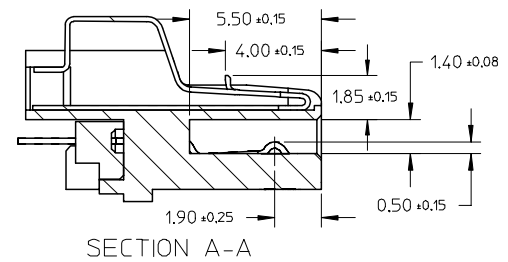
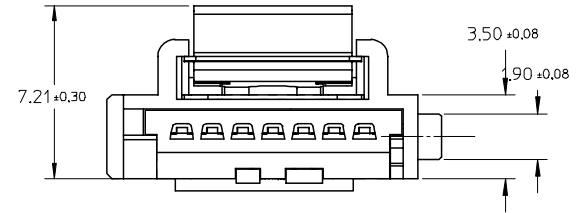
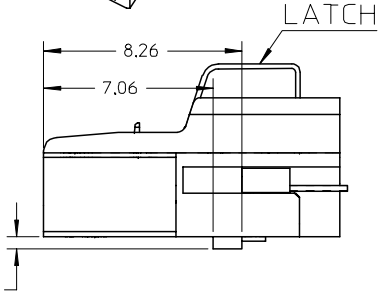
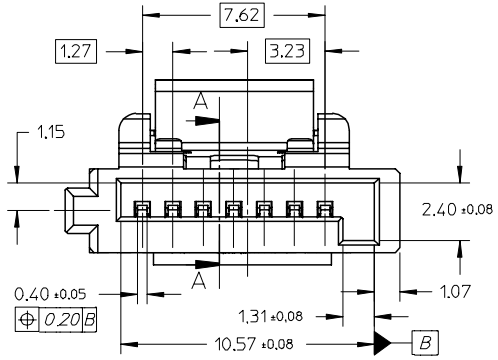


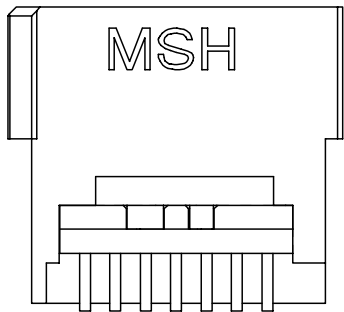
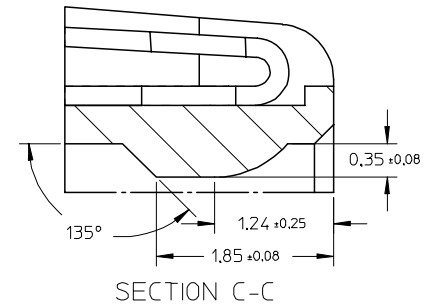
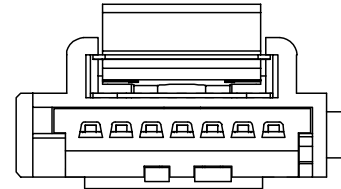
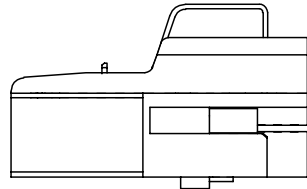
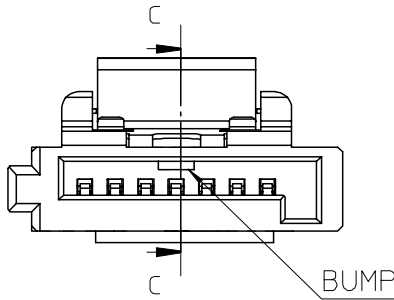
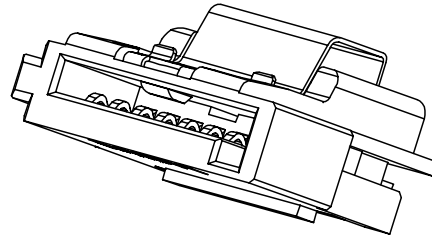
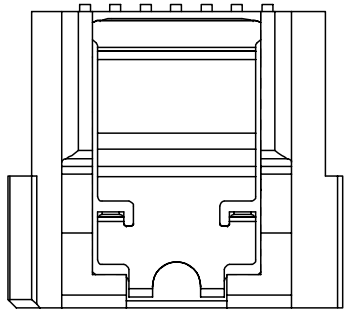
NOTES:

- 1.MATERIAL :
 - HOUSING: THERMAL PLASTIC, GLASS FILLED, UL94V-0, COLOR: BLACK.
 - COVER: THERMAL PLASTIC, COLOR : BLACK.
 - TERMINAL: COPPER ALLOY.
 - METAL LATCH: STAINLESS STEEL
- 2.TERMINAL PLATING :
 - CONTACT AREA: GOLD PLATED,
 - SOLDER TAIL:TIN, THICKNESS=1.27 MICRNS MINIMUM
 - UNDER PLATE:NICKEL, THICKNESS=1.27 MICRONS MINIMUM
- 3.PACKAGING : TRAY
- 4.PRODUCT SPECIFICATION REFER TO PS-67490-00*
- 5 MATING PART 67800, 47080 SERIES



P/N	PLATING TYPE	REMARK
67489-9001	GOLD FLASH	METAL LATCH
67489-9002	GOLDP LATED 0.76 MICRONS	NONE BUMP
67489-9005	GOLD PLATED 0.38 MICRONS	TYPE ONLY

EC NO: SH2004-0185 DRWN:GRMA 2004/12/28 CHKD:GRATE 2004/12/30 APPR:YTYAP 2004/12/30	QUALITY SYMBOLS ▽ = 0 ▽ = 0	GENERAL TOLERANCES (UNLESS SPECIFIED) mm INCH 4 PLACES ± --- ± --- 3 PLACES ± --- ± --- 2 PLACES ± 0.2 ± --- 1 PLACE ± 0.25 ± --- ANGULAR ± 1 °	SCALE 5:1 DESIGN UNITS METRIC DIMENSION STYLE MM ONLY	THIRD ANGLE PROJECTION REVISE ON CAD ONLY	TITLE SERIAL ATA RECEPTACLE CABLE END CONNECTOR STRAIGHT TYPE
REV B	DESCRIPTION	APPROVED BY SAM DATE 2004/03/25	CHECKED BY YAJUN DATE 2004/03/25	MATERIAL NO. SEE TABLE DOCUMENT NO. SD-67489-002	SHEET NO. 1 OF 2



P/N	PLATING TYPE	REMARK
67489-7001	GOLD FLASH	BOTH METAL LATCH
67489-7002	GOLD PLATED 0.76 MICRONS	AND BUMP TYPE
67489-7005	GOLD PLATED 0.38 MICRONS	

EC NO: SH2004-0185	DRWN: GRMA 2004/12/28	CHKD: GRATE 2004/12/30	APPR: YTYAP 2004/12/30
REV	DESCRIPTION		

QUALITY SYMBOLS	▽ = 0	GENERAL TOLERANCES (UNLESS SPECIFIED)	
	▽C = 0		
		mm	INCH
		4 PLACES	± --- ± ---
		3 PLACES	± --- ± ---
		2 PLACES	± 0.2 ± ---
		1 PLACE	± 0.25 ± ---
		ANGULAR ± 1 °	
		DRAFT WHERE APPLICABLE	
		MUST REMAIN WITHIN DIMENSIONS	

SCALE	DESIGN UNITS
5:1	METRIC
DIMENSION STYLE	
MM ONLY	
DRAWN BY	DATE
GRATE MA	2004/03/25
CHECKED BY	DATE
YAJUN	2004/03/25
APPROVED BY	DATE
SAM	2004/03/25

THIRD ANGLE PROJECTION	REVISE ON CAD ONLY
TITLE	
SERIAL ATA RECEPTACLE CABLE END CONNECTOR STRAIGHT TYPE	
MOLEX INCORPORATED	
MATERIAL NO.	DOCUMENT NO.
SEE TABLE	SD-67489-002
SHEET NO.	2 OF 2
THIS DRAWING CONTAINS INFORMATION THAT IS PROPRIETARY TO MOLEX INCORPORATED AND SHOULD NOT BE USED WITHOUT WRITTEN PERMISSION	