

DO NOT SCALE DRAWING
DIMENSION IN METRIC

DWG. NO.
SD-68503-004

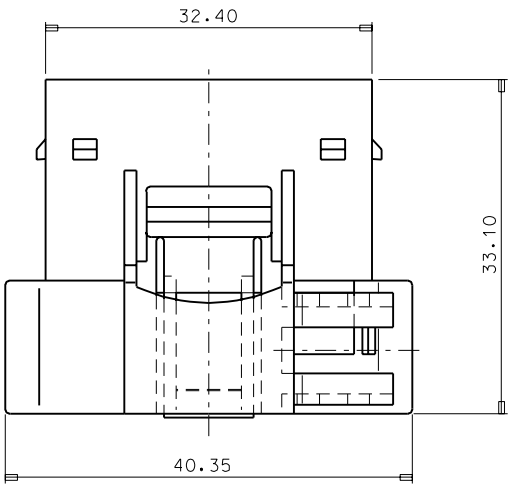
SIMILAR ITEM

PROJECT NO.

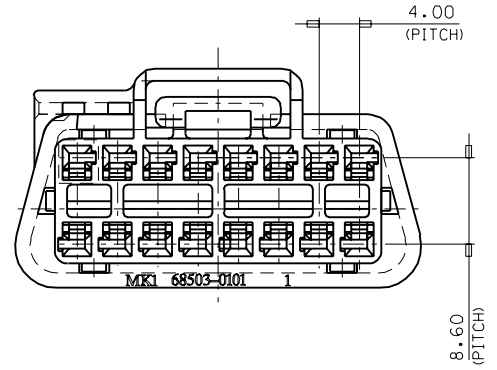
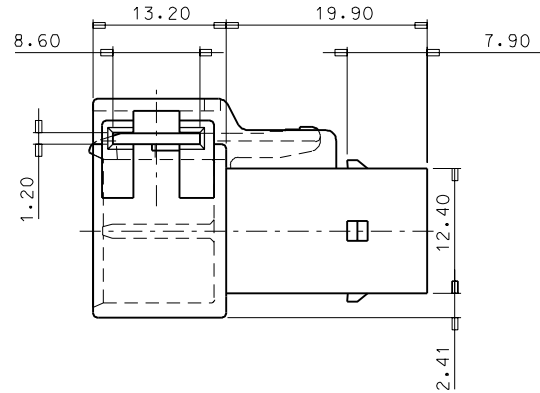
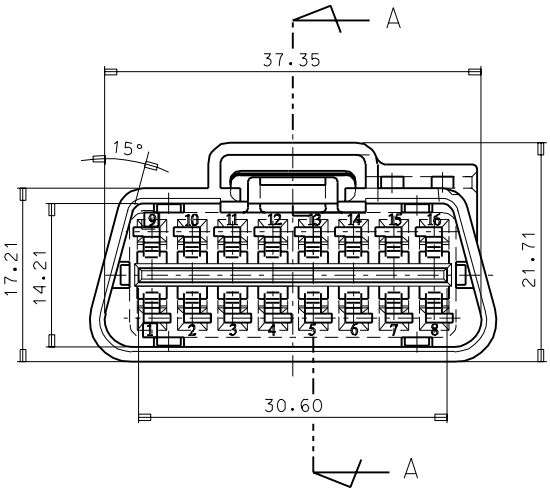
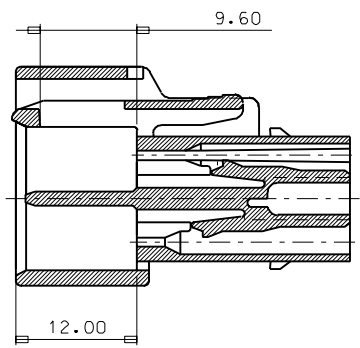
C

B

F
E
D
C
B
A



SECTION A-A



NOTES

1. MATERIAL : POLYESTER ,BLACK
2. APPLICATION : OBD F/HSG I6P (ENG. NO.:5115-I601)

685030 I602		68503-1602				DIMENSIONS:		SHT	REV		
NO.	MATERIAL NO.	ENG. NO.				<input type="checkbox"/> mm <input type="checkbox"/> INCH <input checked="" type="checkbox"/> mm ONLY					
RELEASE TO MANUFACTURING EC NO.: KOR2002-0057 DRWN: H.C.RHO 2001/12/29 CHK: H.C.RHO 2001/12/29 APPR: W.LEE 2001/12/29	QUALITY SYMBOLS MAJOR = CRITICAL =	GENERAL TOLERANCES: (UNLESS SPECIFIED)		SCALE 2:1	DESIGN UNITS <input checked="" type="checkbox"/> mm <input type="checkbox"/> INCH	THIRD ANGLE PROJECTION		REVISE ON CAD ONLY			
				mm	INCH	DRAWN BY & DATE H.C.RHO 011229		TITLE: OBD MALE HOUSING I6P			
		4 PLACES		±0.	±.	CHECKED BY & DATE H.C.RHO 011229					
		3 PLACES		±0.	±.	APPROVED BY & DATE C.W.LEE 011229		MOLEX INCORPORATED KOREA			
		2 PLACES		±0.3	±.	CAD FILENAME					
1 PLACE		±0.	±.	ANGULAR: ± 1°		MATERIAL NO.	DRAWING NO.	SHEET NO.			
A		REV		DRAFT WHERE APPLICABLE MUST REMAIN WITHIN DIMENSIONS		SOBDMH	SEE TABLE	SD-68503-004	I OF I		
THIS DRAWING CONTAINS INFORMATION THAT IS PROPRIETARY TO MOLEX INCORPORATED AND SHOULD NOT BE USED WITHOUT WRITTEN PERMISSION.								SIZE	B		