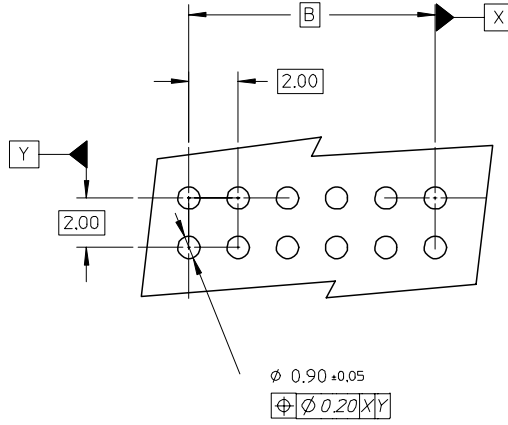
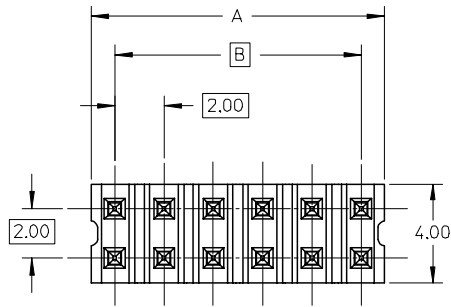


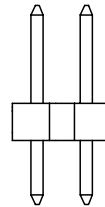
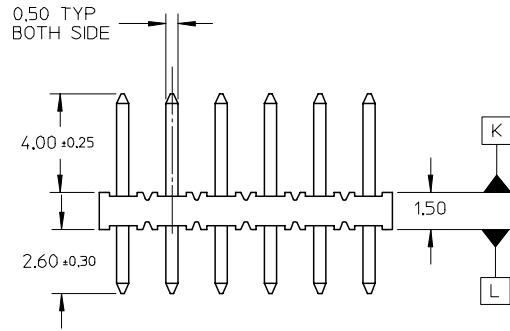
10 9 8 7 6 5 4 3 2 1



**LEGEND**  
 87758- \* \* \* \*  
 CKT SIZE (SEE SHT 2 TABLE) PLATING (SEE NOTE 2)

**NOTES:**

- MATERIAL:  
 HOUSING: 30% G.F. NYLON 46, 94V-0, COLOR: BLACK  
 PIN: 0.50mm SQ. PHOSPHOR BRONZE 510
- PLATING:  
 \*\*16 - 0.38um MIN GOLD IN CONTACT AREA.  
 TIN IN SOLDER AREA, BOTH OVER NICKEL OVERALL.  
 \*\*17 - 0.76um MIN GOLD IN CONTACT AREA.  
 TIN IN SOLDER AREA, BOTH OVER NICKEL OVERALL.  
 \*\*18 - 2.54um MIN TIN OVER NICKEL OVERALL.
- 12 CKT USED FOR ILLUSTRATION ONLY
- PACKED IN POCKET TRAY
- PIN PUSHOUT FORCE: 1KG MIN IN EITHER DIRECTION
- CKT 4 AND 6 IS CUT FROM CKT 8 AND 12 RESPECTIVELY.  
 CKT 2 ARE CUT FROM ANY LARGER CKT SIZE.ROUGH EDGES ARE EXPECTED ALONG THE CUTTING EDGES.
- PRODUCT SPEC PS-87761-100 APPLIES.
- RECOMMENDED PCB THICKNESS IS 1.60±0.10



$\phi 0.71 \pm 0.07$   
 $\phi \phi 0.30 \text{ (M) K}$



VIEW P

$\phi 0.71 \pm 0.07$   
 $\phi \phi 0.30 \text{ (M) L}$



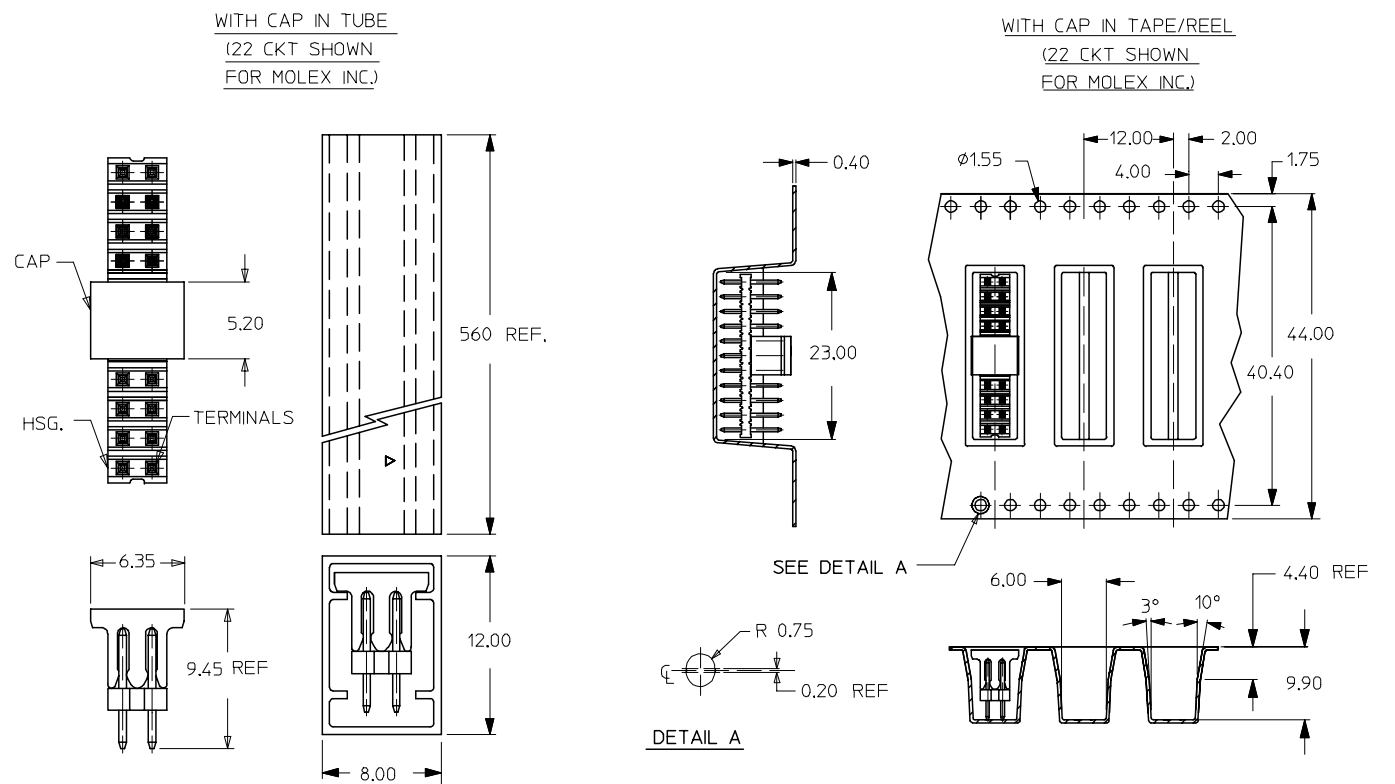
VIEW Q

|   |                                |  |                      |  |                      |                              |                              |
|---|--------------------------------|--|----------------------|--|----------------------|------------------------------|------------------------------|
| EC NO: S2005-0715<br>2005/05/16<br>DRAWN:KCHO<br>CHKD:PTLIM<br>APPR:SCLOW<br>2005/05/18<br>2005/05/19 | QUALITY SYMBOLS<br>▽=0<br>▽C=0 | GENERAL TOLERANCES (UNLESS SPECIFIED)                      |                      | DIMENSION STYLE<br>MM ONLY   | SCALE<br>NTS         | DESIGN UNITS<br>METRIC       | THIRD ANGLE PROJECTION       |
|   |                                | 4 PLACES ± --- ± ---                                       | 3 PLACES ± --- ± --- | 2 PLACES ± 0.20 ± ---  | 1 PLACE ± --- ± ---  | ANGULAR ± 3 °                | DRAWN BY<br>KSEE             |
| A2  | REV                            | DRAFT WHERE APPLICABLE<br>MUST REMAIN<br>WITHIN DIMENSIONS |                      | SEE TABLE  | APPROVED BY<br>SKTOH | DATE<br>2004/01/05           | MOLEX INCORPORATED           |
|   |                                | SIZE<br>A3   |                      | THIS DRAWING CONTAINS INFORMATION THAT IS PROPRIETARY TO MOLEX<br>INCORPORATED AND SHOULD NOT BE USED WITHOUT WRITTEN PERMISSION |                      | MATERIAL NO.<br>SD-87758-107 | DOCUMENT NO.<br>SD-87758-107 |

9 8 7 6 5 4 3 2 1

|   | 10          | 9        | 8     | 7     | 6 | 5 | 4 | 3 | 2 | 1 |  |
|---|-------------|----------|-------|-------|---|---|---|---|---|---|--|
| F | PART NUMBER | CKT SIZE | A     | B     |   |   |   |   |   |   |  |
|   | 87758-02**  | 2        | NA    | NA    |   |   |   |   |   |   |  |
|   | 87758-04**  | 4        | NA    | 2.00  |   |   |   |   |   |   |  |
|   | 87758-06**  | 6        | NA    | 4.00  |   |   |   |   |   |   |  |
|   | 87758-08**  | 8        | 7.90  | 6.00  |   |   |   |   |   |   |  |
|   | 87758-10**  | 10       | 9.90  | 8.00  |   |   |   |   |   |   |  |
| E | 87758-12**  | 12       | 11.90 | 10.00 |   |   |   |   |   |   |  |
|   | 87758-14**  | 14       | 13.90 | 12.00 |   |   |   |   |   |   |  |
|   | 87758-16**  | 16       | 15.90 | 14.00 |   |   |   |   |   |   |  |
|   | 87758-18**  | 18       | 17.90 | 16.00 |   |   |   |   |   |   |  |
|   | 87758-20**  | 20       | 19.90 | 18.00 |   |   |   |   |   |   |  |
|   | 87758-22**  | 22       | 21.90 | 20.00 |   |   |   |   |   |   |  |
| D | 87758-24**  | 24       | 23.90 | 22.00 |   |   |   |   |   |   |  |
|   | 87758-26**  | 26       | 25.90 | 24.00 |   |   |   |   |   |   |  |
|   | 87758-28**  | 28       | 27.90 | 26.00 |   |   |   |   |   |   |  |
|   | 87758-30**  | 30       | 29.90 | 28.00 |   |   |   |   |   |   |  |
|   | 87758-32**  | 32       | 31.90 | 30.00 |   |   |   |   |   |   |  |
|   | 87758-34**  | 34       | 33.90 | 32.00 |   |   |   |   |   |   |  |
| C | 87758-36**  | 36       | 35.90 | 34.00 |   |   |   |   |   |   |  |
|   | 87758-38**  | 38       | 37.90 | 36.00 |   |   |   |   |   |   |  |
|   | 87758-40**  | 40       | 39.90 | 38.00 |   |   |   |   |   |   |  |
|   | 87758-42**  | 42       | 41.90 | 40.00 |   |   |   |   |   |   |  |
|   | 87758-44**  | 44       | 43.90 | 42.00 |   |   |   |   |   |   |  |
|   | 87758-46**  | 46       | 45.90 | 44.00 |   |   |   |   |   |   |  |
|   | 87758-48**  | 48       | 47.90 | 46.00 |   |   |   |   |   |   |  |
| B | 87758-50**  | 50       | 49.90 | 48.00 |   |   |   |   |   |   |  |

| CKT SIZE | PART NO. WITH CAP IN TUBE | PART NO. WITH CAP IN TAPE/REEL | PLATING TYPE |
|----------|---------------------------|--------------------------------|--------------|
| 8        | 87758-0814                | 87758-0815                     | **16         |
| 22       | 87758-5126                | 87758-5111                     | MOLEX INC.   |



| EC NO: S2005-0715<br>2005/05/16<br>DRAWN:KCHO<br>2005/05/18<br>CHKD:PTLIM<br>2005/05/19<br>APPR:SCLOW | DESCRIPTION<br>REV                         | QUALITY SYMBOLS<br>▽=0<br>▽=0  | GENERAL TOLERANCES (UNLESS SPECIFIED) | DIMENSION STYLE<br>MM ONLY | SCALE<br>NTS | DESIGN UNITS<br>METRIC | THIRD ANGLE PROJECTION |       |          |       |       |          |        |       |         |       |       |  |  |                    |
|---|--|--|---------------------------------------|----------------------------|--------------|------------------------|------------------------|-------|----------|-------|-------|----------|--------|-------|---------|-------|-------|--|--|--------------------|
|   |  | <table border="1"> <thead> <tr> <th></th> <th>mm</th> <th>INCH</th> </tr> </thead> <tbody> <tr> <td>4 PLACES</td> <td>± ---</td> <td>± ---</td> </tr> <tr> <td>3 PLACES</td> <td>± ---</td> <td>± ---</td> </tr> <tr> <td>2 PLACES</td> <td>± 0.20</td> <td>± ---</td> </tr> <tr> <td>1 PLACE</td> <td>± ---</td> <td>± ---</td> </tr> </tbody> </table> |                                       | mm                         | INCH         | 4 PLACES               | ± ---                  | ± --- | 3 PLACES | ± --- | ± --- | 2 PLACES | ± 0.20 | ± --- | 1 PLACE | ± --- | ± --- | DRAWN BY<br>KSEE<br>DATE<br>2003/10/30 | TITLE<br>SALES DRAWING<br>2MM DUAL ROW SINGLE<br>WAFER, VERTICAL T/H HDR | MOLEX INCORPORATED |
|   |  |  | mm                                    | INCH                       |              |                        |                        |       |          |       |       |          |        |       |         |       |       |  |  |                    |
|   |  | 4 PLACES   | ± ---                                 | ± ---                      |              |                        |                        |       |          |       |       |          |        |       |         |       |       |  |  |                    |
| 3 PLACES  | ± ---                                      | ± ---  |                                       |                            |              |                        |                        |       |          |       |       |          |        |       |         |       |       |  |  |                    |
| 2 PLACES  | ± 0.20                                     | ± ---  |                                       |                            |              |                        |                        |       |          |       |       |          |        |       |         |       |       |  |  |                    |
| 1 PLACE   | ± ---                                      | ± ---  |                                       |                            |              |                        |                        |       |          |       |       |          |        |       |         |       |       |  |  |                    |
| DRAFT WHERE APPLICABLE<br>MUST REMAIN<br>WITHIN DIMENSIONS  | APPROVED BY<br>SKTOH<br>DATE<br>2004/01/05 | MATERIAL NO.<br>SEE TABLE  | DOCUMENT NO.<br>SD-87758-107          | SHEET NO.<br>2 OF 2        |              |                        |                        |       |          |       |       |          |        |       |         |       |       |  |  |                    |
| A2  | SIZE<br>A3                                 | THIS DRAWING CONTAINS INFORMATION THAT IS PROPRIETARY TO MOLEX INCORPORATED AND SHOULD NOT BE USED WITHOUT WRITTEN PERMISSION  |                                       |                            |              |                        |                        |       |          |       |       |          |        |       |         |       |       |  |  |                    |