

PLEASE CHECK WWW.MOLEX.COM FOR LATEST PART INFORMATION

Part Number: [0905721109](#)
Status: **Active**
Description: 2.54mm (.100") Pitch QF-50™ Header, Right Angle, Dual Row, Shrouded, DIN Keying, with Latch/Eject Levers, 10 Circuits, Tin

Documents:

[Drawing \(PDF\)](#) [RoHS Certificate of Compliance \(PDF\)](#)

Agency Certification

CSA LR19980
 UL E29179

General

Product Family Ribbon Cable / Wire Trap Connectors
 Series [90572](#)
 Comments Eject Levers
 Component Type PCB Header
 Glow-Wire Compliant No
 Product Name QF-50™

Physical

Circuits (Loaded) 10
 Circuits (maximum) 10
 Color - Resin Black
 Durability (mating cycles max) 50
 Entry Angle 90° Angle
 Flammability 94V-0
 Lock to Mating Part None
 Material - Metal Brass
 Material - Plating Mating Tin
 Material - Plating Termination Tin
 Material - Resin Polyester
 Number of Rows 2
 PCB Locator No
 PCB Retention None
 PCB Thickness Recommended (in) 0.062 In
 PCB Thickness Recommended (mm) 1.60 mm
 Packaging Type Tray
 Pitch - Mating Interface (in) 0.100 In
 Pitch - Mating Interface (mm) 2.54 mm
 Pitch - Term. Interface (in) 0.100 In
 Pitch - Term. Interface (mm) 2.54 mm
 Plating min: Termination (µin) 120
 Plating min: Termination (µm) 3
 Polarized to Mating Part Yes
 Polarized to PCB No
 Shrouded Yes
 Stackable Yes
 Surface Mount Compatible (SMC) No
 Temperature Range - Operating -25°C to +85°C
 Termination Interface: Style Through Hole
 Wire Insulation Diameter N/A
 Wire Size AWG N/A
 Wire/Cable Type Ribbon Cable

Electrical

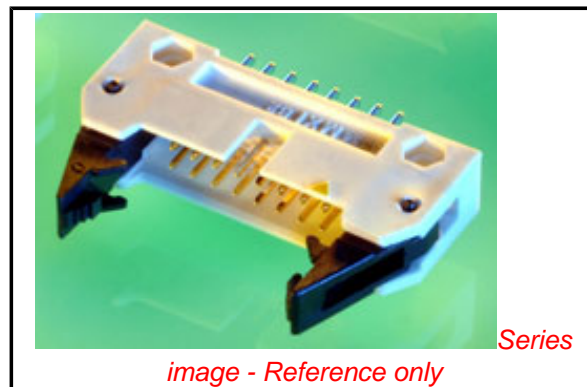


image - Reference only

EU RoHS

China RoHS

Compliance Status

Not Reviewed

REACH SVHC

Not Reviewed

Halogen-Free

Status

Not Reviewed

Need more information on product environmental compliance?

Email productcompliance@molex.com
 For a multiple part number RoHS Certificate of Compliance, [click here](#)

Please visit the [Contact Us](#) section for any non-product compliance questions.

Search Parts in this Series

[90572Series](#)

Mates With

[90635 QF-50™ Female Housing](#)

Current - Maximum per Contact
Voltage - Maximum

1A
250V

Material Info

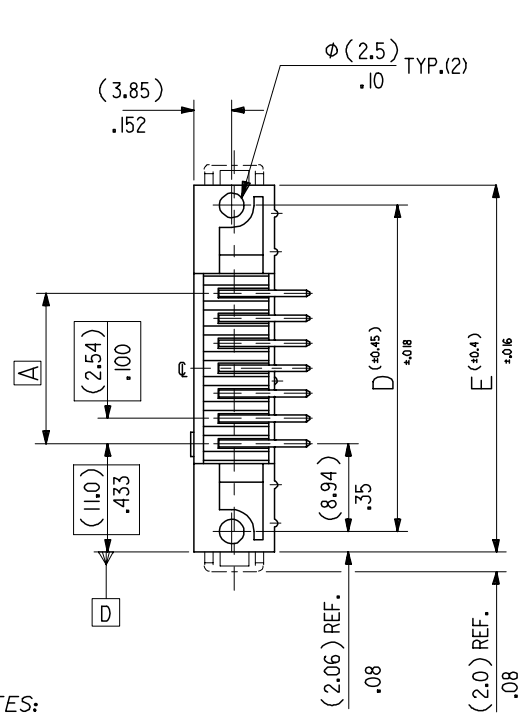
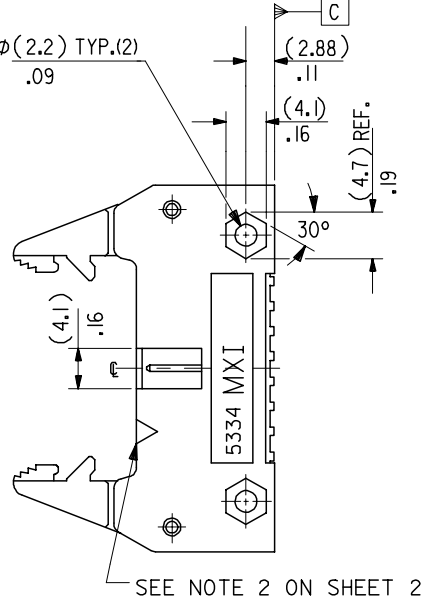
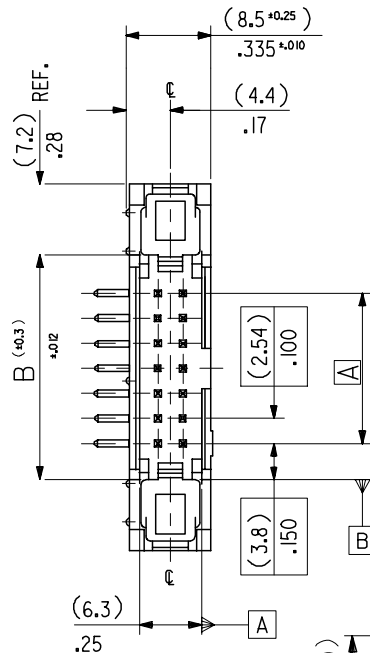
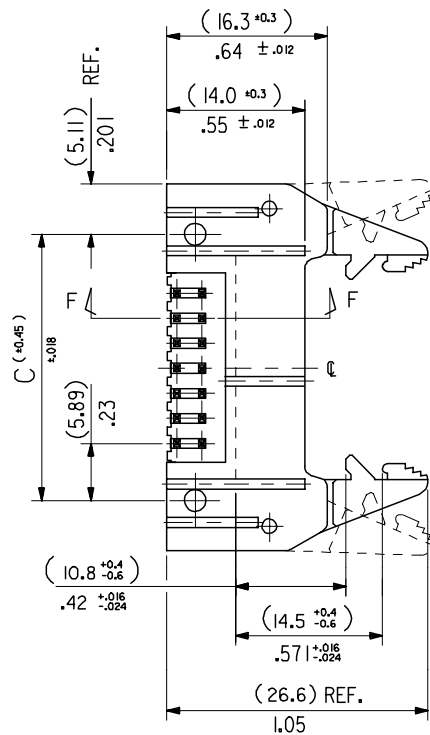
Reference - Drawing Numbers

Sales Drawing

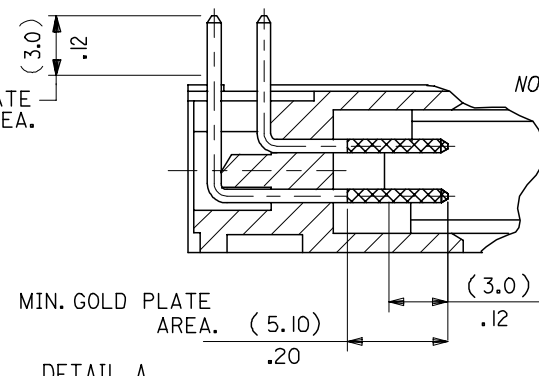
SDA-90572

This document was generated on 06/08/2010

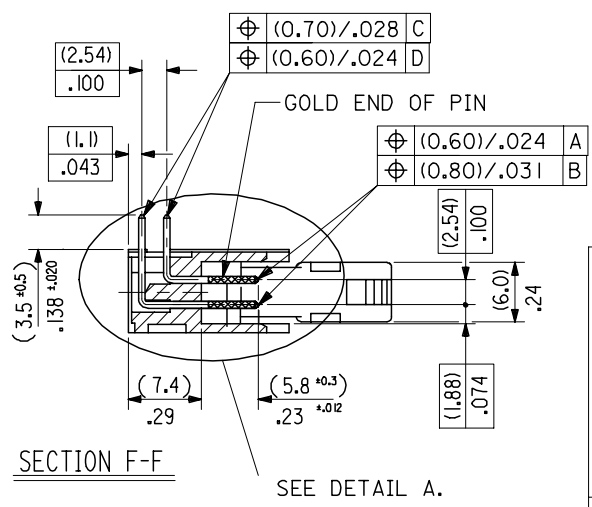
PLEASE CHECK WWW.MOLEX.COM FOR LATEST PART INFORMATION



MIN. TIN PLATE AREA.



- NOTES:
- 1: FOR MATERIAL SPECIFICATION SEE NOTE 1 ON SHEET 2.
 - 2: FOR RECOMMENDED P.C.B.HOLE PATTERN, PART NOTs AND UNSTATED DIMENSIONS SEE SHEET 2.
 - 3: PRODUCT SPEC.No. : PS -99020-0015.



DETAIL A
DIMENSIONS FOR SELECTIVE PLATING'S, SCALE 4:1

| | | | | | | | | | | | | | |
|---|------------|------------|------------|--|---------------------------------------|-------------|-----------------|--|--------------|--------------|------------------------|--|--|
| CORRECTED PS EC NO: E2008-0129 DRWN:DBYRNES CHKD: APPR:EDMAMONY | 2007/09/13 | 2007/09/13 | 2007/09/14 | QUALITY SYMBOLS $\nabla=0$ $\triangle=0$ | GENERAL TOLERANCES (UNLESS SPECIFIED) | | DIMENSION STYLE | | SCALE | DESIGN UNITS | THIRD ANGLE PROJECTION | | |
| | mm | | INCH | | MM/IN | | 2:1 | METRIC | | | | | |
| | 4 PLACES | ±--- | ±--- | | | DRAWN BY | DATE | TITLE | | | | | |
| | 3 PLACES | ±--- | ±.008 | | | POB | 1990/09/12 | QIK FLECS R/A HEADER DIN EJECT LEVERS FOR IMPROVED WIPE FEMALE | | | | | |
| 2 PLACES | ±0.20 | ±.008 | | CHECKED BY | DATE | APPROVED BY | | | | | | | |
| 1 PLACE | ±0.20 | ±--- | | APPROVED BY | | DATE | MATERIAL NO. | | DOCUMENT NO. | SHEET NO. | | | |
| ANGULAR ±1/2° | | | | DRAFT WHERE APPLICABLE MUST REMAIN WITHIN DIMENSIONS | | ENTER PART | | SDA-90572 | | 1 OF 4 | | | |
| THIS DRAWING CONTAINS INFORMATION THAT IS PROPRIETARY TO MOLEX INCORPORATED AND SHOULD NOT BE USED WITHOUT WRITTEN PERMISSION | | | | | | | | | | | | | |

