

873B



T-46-07-08

# DM74ALS873B

## Dual 4-Bit D-Type Transparent Latch with TRI-STATE® Outputs

### General Description

This dual 4-bit register features totem-pole TRI-STATE outputs designed specifically for driving highly-capacitive or relatively low-impedance loads. The high-impedance state and increased high-logic-level drive provide these registers with the capability of being connected directly to and driving the bus lines in a bus-organized system without need for interface or pull-up components. They are particularly attractive for implementing buffer registers, I/O ports, bidirectional bus drivers, and working registers.

The eight latches of the ALS873B are transparent D-type latches. While the enable (G) is high the Q outputs will follow the data (D) inputs. When the enable is taken low the output will be latched at the level of the data that was set up.

A buffered output control input can be used to place the eight outputs in either a normal logic state (high or low logic

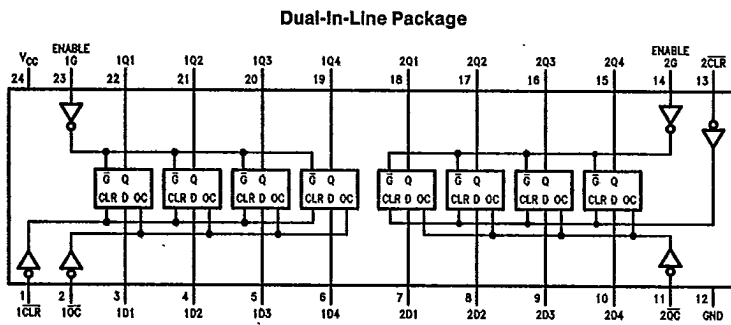
levels) or a high-impedance state. In the high-impedance state the outputs neither load nor drive the bus lines significantly.

The output control does not affect the internal operation of the latches. That is, the old data can be retained or new data can be entered even while the outputs are off.

### Features

- Switching specifications at 50 pF
- Switching specifications guaranteed over full temperature and V<sub>CC</sub> range
- Advanced oxide-isolated, ion-implanted Schottky TTL process
- TRI-STATE buffer-type outputs drive bus lines directly
- Space saving 300 mil wide package

### Connection Diagram



Order Number DM74ALS873BWM or DM74ALS873BNT  
See NS Package Number M24B or N24C

TL/F/6243-1

**Absolute Maximum Ratings**

T-46-07-08

Supply Voltage	7V
Input Voltage	7V
Voltage Applied to Disabled Output	5.5V
Operating Free Air Temperature Range	0°C to +70°C
DM74ALS	
Storage Temperature Range	-65°C to +150°C
Typical $\theta_{JA}$	
N Package	51.0°C/W
M Package	86.5°C/W

Note: The "Absolute Maximum Ratings" are those values beyond which the safety of the device cannot be guaranteed. The device should not be operated at these limits. The parametric values defined in the "Electrical Characteristics" table are not guaranteed at the absolute maximum ratings. The "Recommended Operating Conditions" table will define the conditions for actual device operation.

**Recommended Operating Conditions**

Symbol	Parameter	DM74ALS873B			Units
		Min	Nom	Max	
V <sub>CC</sub>	Supply Voltage	4.5	5	5.5	V
V <sub>IH</sub>	High Level Input Voltage	2			V
V <sub>IL</sub>	Low Level Input Voltage			0.8	V
I <sub>OH</sub>	High Level Output Current			-2.6	mA
I <sub>OL</sub>	Low Level Output Current			24	mA
t <sub>w</sub>	Pulse Width	Enable High	10		ns
		Clear Low	15		ns
t <sub>SU</sub>	Data Setup Time	10 ↓			ns
t <sub>H</sub>	Data Hold Time	7 ↓			ns
T <sub>A</sub>	Operating Free Air Temperature	0		70	°C

The (↓) arrow indicates the negative edge of the enable is used for reference.

**Electrical Characteristics**

over recommended operating free air temperature range. All typical values are measured at V<sub>CC</sub> = 5V, T<sub>A</sub> = 25°C.

Symbol	Parameter	Conditions	Min	Typ	Max	Units	
V <sub>IK</sub>	Input Clamp Voltage	V <sub>CC</sub> = 4.5V, I <sub>I</sub> = -18 mA			-1.2	V	
V <sub>OH</sub>	High Level Output Voltage	V <sub>CC</sub> = 4.5V V <sub>IL</sub> = V <sub>ILMax</sub> I <sub>OH</sub> = Max	2.4	3.2		V	
		I <sub>OH</sub> = -400 μA V <sub>CC</sub> = 4.5V to 5.5V	V <sub>CC</sub> - 2			V	
V <sub>OL</sub>	Low Level Output Voltage	V <sub>CC</sub> = 4.5V V <sub>IH</sub> = 2V	I <sub>OL</sub> = 12 mA	0.25	0.4	V	
			I <sub>OL</sub> = 24 mA	0.35	0.5	V	
I <sub>I</sub>	Input Current @ Max. Input Voltage	V <sub>CC</sub> = 5.5V, V <sub>IH</sub> = 7V			0.1	mA	
I <sub>IH</sub>	High Level Input Current	V <sub>CC</sub> = 5.5V, V <sub>IH</sub> = 2.7V			20	μA	
I <sub>IL</sub>	Low Level Input Current	V <sub>CC</sub> = 5.5V, V <sub>IL</sub> = 0.4V			-0.1	mA	
I <sub>O</sub>	Output Drive Current	V <sub>CC</sub> = 5.5V, V <sub>O</sub> = 2.25V	-30		-112	mA	
I <sub>OZH</sub>	Off-State Output Current High Level Voltage Applied	V <sub>CC</sub> = 5.5V, V <sub>IH</sub> = 2V V <sub>O</sub> = 2.7V			20	μA	
I <sub>OZL</sub>	Off-State Output Current Low Level Voltage Applied	V <sub>CC</sub> = 5.5V, V <sub>IH</sub> = 2V V <sub>O</sub> = 0.4V			-20	μA	
I <sub>CC</sub>	Supply Current	V <sub>CC</sub> = 5.5V Outputs Open	Outputs High	11	21	mA	
			Outputs Low		16	29	mA
			Outputs Disabled		20	31	mA



T-46-07-08

873B

**Switching Characteristics** over recommended operating free air temperature range (Note 1)

Symbol	Parameter	Conditions	From	To	DM74ALS873B		Units
					Min	Max	
t <sub>PLH</sub>	Propagation Delay Time Low to High Level Output	V <sub>CC</sub> = 4.5V to 5.5V R <sub>L</sub> = 500Ω C <sub>L</sub> = 50 pF	Data	Any Q	2	14	ns
t <sub>PHL</sub>	Propagation Delay Time High to Low Level Output		Data	Any Q	2	14	ns
t <sub>PLH</sub>	Propagation Delay Time Low to High Level Output		Enable	Any Q	8	22	ns
t <sub>PHL</sub>	Propagation Delay Time High to Low Level Output		Enable	Any Q	8	21	ns
t <sub>PZH</sub>	Output Enable Time to High Level Output		Output Control	Any Q	4	18	ns
t <sub>PZL</sub>	Output Enable Time to Low Level Output		Output Control	Any Q	4	18	ns
t <sub>PHZ</sub>	Output Disable Time from High Level Output		Output Control	Any Q	2	10	ns
t <sub>PLZ</sub>	Output Disable Time from Low Level Output		Output Control	Any Q	2	15	ns
t <sub>PHL</sub>	Propagation Delay Time High to Low Level Output		Clear	Any Q	6	20	ns

Note 1: See Section 1 for test waveforms and output load.

**Function Table**

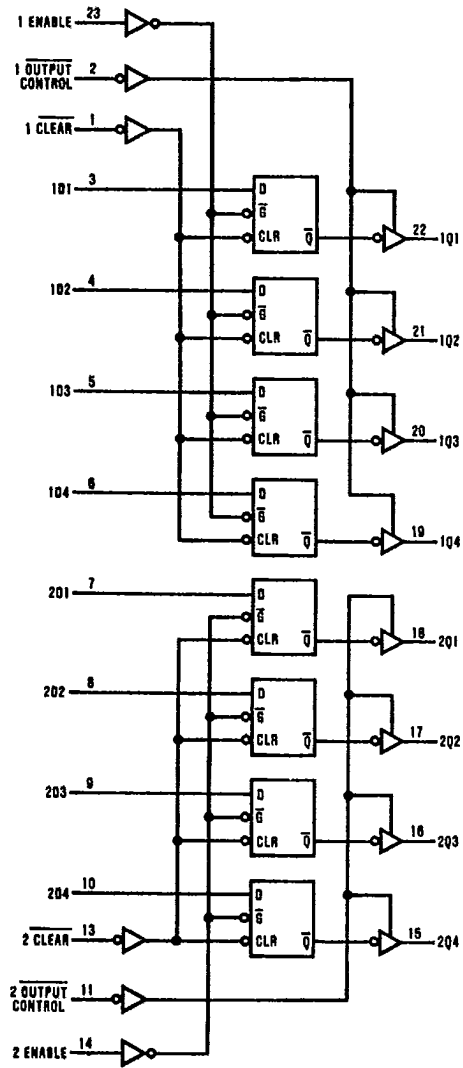
CLR	Inputs			Output Q
	D	EN	OC	
X	X	X	H	Z
L	X	X	L	L
H	H	H	L	H
H	L	H	L	L
H	X	L	L	Q <sub>0</sub>

L = Low State, H = High State, X = Don't Care  
 Z = High Impedance State  
 Q<sub>0</sub> = Previous Condition of Q

Logic Diagram

T-46-07-08

873B



TLJ/6243-2

