

# AC/DC to Logic Interface Hermetically Sealed Optocouplers

## Technical Data

### HCPL-576X\*

**5962-8947701**

\*See matrix for available extensions

### Features

- Dual Marked with Device Part Number and DSCC Standard Microcircuit Drawing
- Manufactured and Tested on a MIL-PRF-38534 Certified Line
- QML-38534, Class H and K
- Hermetically Sealed 8-pin Dual In-Line Packages
- Performance Guaranteed over  $-55^{\circ}\text{C}$  to  $+125^{\circ}\text{C}$
- ac or dc Input
- Programmable Sense Voltage
- Hysteresis
- HCPL-3700 Operating Compatibility
- Logic Compatible Output
- 1500 Vdc Withstand Test Voltage
- Thresholds Guaranteed over Temperature
- Thresholds Independent of LED Characteristics

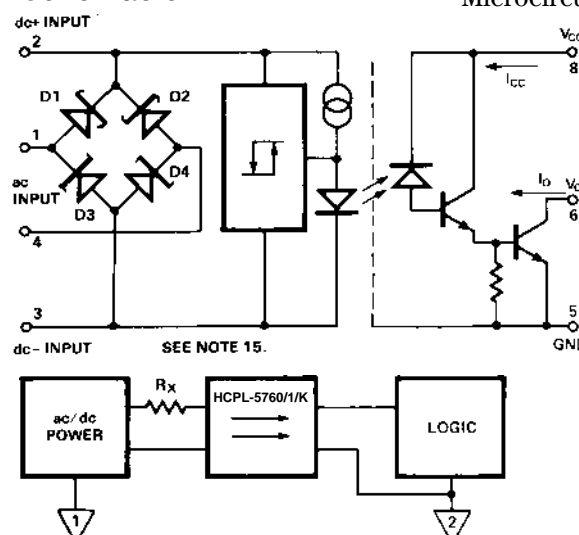
### Applications

- Military and Space
- High Reliability Systems
- Transportation, Medical, and Life Critical Systems
- Limit Switch Sensing
- Low Voltage Detector
- ac/dc Voltage Sensing
- Relay Contact Monitor
- Relay Coil Voltage Monitor
- Current Sensing
- Microprocessor Interface
- Telephone Ring Detection
- Harsh Industrial Environments

### Description

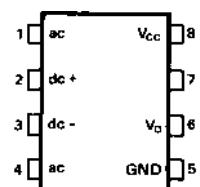
These devices are single channel, hermetically sealed, voltage/current threshold detection optocouplers. The products are capable of operation and storage over the full military temperature range and can be purchased as either standard product, or with full MIL-PRF-38534 Class Level H or K testing, or from the DSCC Standard Microcircuit Drawing (SMD) 5962-89477. All devices are manufactured and tested on a MIL-PRF-38534 certified line and are included in the DSCC Qualified Manufacturers List, QML-38534 for Hybrid Microcircuits.

### Schematic



### TRUTH TABLE

| INPUT                        | OUTPUT |
|------------------------------|--------|
| H ( $V_{TH} < V_{dc}(on)$ )  | L      |
| L ( $V_{dc} < V_{TH}(off)$ ) | H      |



The connection of a 0.1  $\mu\text{F}$  bypass capacitor between pins 8 and 5 is recommended.

**CAUTION:** It is advised that normal static precautions be taken in handling and assembly of this component to prevent damage and/or degradation which may be induced by ESD.

Each unit contains a light emitting diode (LED), a threshold sensing input buffer IC, and a high gain photon detector to provide an optocoupler which permits adjustable external threshold levels. The input buffer circuit has a nominal turn on threshold of 2.5 mA ( $I_{TH+}$ ) and 3.6 volts ( $V_{TH+}$ ). The addition of one or more external attenuation resistors permits the use of this device over a wide range of input voltages and currents. Threshold sensing prior to the LED and detector elements minimizes effects of any variation in optical

coupling. Hysteresis is also provided in the buffer for extra noise immunity and switching stability.

The buffer circuit is designed with internal clamping diodes to protect the circuitry and LED from a wide range of over-voltage and over-current transients while the diode bridge enables easy use with ac voltage input.

These units combine several unique functions in a single package, providing the user with an ideal component for computer

input boards and other applications where a predetermined input threshold optocoupler level is desirable.

The high gain output stage features an open collector output providing both TTL compatible saturation voltages and CMOS compatible breakdown voltages.

This is an eight pin DIP which may be purchased with a variety of lead bend and plating options. See Selection Guide Table for details. Standard Microcircuit Drawing (SMD) parts are available for each lead style.

### Selection Guide—Package Styles and Lead Configuration Options

|                                   |             |
|-----------------------------------|-------------|
| <b>Agilent Part # and Options</b> |             |
| Commercial                        | HCPL-5760   |
| MIL-PRF-38534 Class H             | HCPL-5761   |
| MIL-PRF-38534 Class K             | HCPL-576K   |
| Standard Lead Finish              | Gold        |
| Solder Dipped                     | Option #200 |
| Butt Joint/Gold Plate             | Option #100 |
| Gull Wing/Soldered                | Option #300 |
| Crew Cut/Gold Plate               | Option #600 |
| <b>Class H SMD Part #</b>         |             |
| Prescript for all below           | 5962-       |
| Either Gold or Soldered           | 8947701PX   |
| Gold Plate                        | 8947701PC   |
| Solder Dipped                     | 8947701PA   |
| Butt Joint/Gold Plate             | 8947701YC   |
| Butt Joint/Soldered               | 8947701YA   |
| Gull Wing/Soldered                | 8947701XA   |
| Crew Cut/Gold Plate               | Available   |
| Crew Cut/Soldered                 | Available   |
| <b>Class K SMD Part #</b>         |             |
| Prescript for all below           | 5962-       |
| Either Gold or Soldered           | 8947702KPX  |
| Gold Plate                        | 8947702KPC  |
| Solder Dipped                     | 8947702KPA  |
| Butt Joint/Gold Plate             | 8947702KYC  |
| Butt Joint/Soldered               | 8947702KYA  |
| Gull Wing/Soldered                | 8947702KXA  |
| Crew Cut/Gold Plate               | Available   |
| Crew Cut/Soldered                 | Available   |

### Absolute Maximum Ratings

|  |                               |
|--|-------------------------------|
| Storage Temperature Range .....                        | -65°C to +150°C               |
| Operating Temperature .....                            | -55°C to 125°C                |
| Lead Solder Temperature .....                          | 260°C for 10 s <sup>[2]</sup> |
| Average Input Current, I <sub>IN</sub> .....           | 15 mA <sup>[3]</sup>          |
| Surge Input Current, I <sub>IN,SG</sub> .....          | 140 mA <sup>[3,4]</sup>       |
| Peak Transient Input Current, I <sub>IN,PK</sub> ..... | 500 mA <sup>[3,4]</sup>       |
| Input Power Dissipation, P <sub>IN</sub> .....         | 195 mW <sup>[5]</sup>         |
| Total Package Power Dissipation, P <sub>d</sub> .....  | 260 mW                        |
| Output Power Dissipation, P <sub>O</sub> .....         | 65 mW                         |
| Average Output Current, I <sub>O</sub> .....           | 40 mA                         |
| Supply Voltage, V <sub>CC</sub> (Pins 8-5) .....       | -0.5 min., 20 V max.          |
| Output Voltage, V <sub>O</sub> (Pins 6-5) .....        | -0.5 min., 20 V max.          |

### ESD Classification

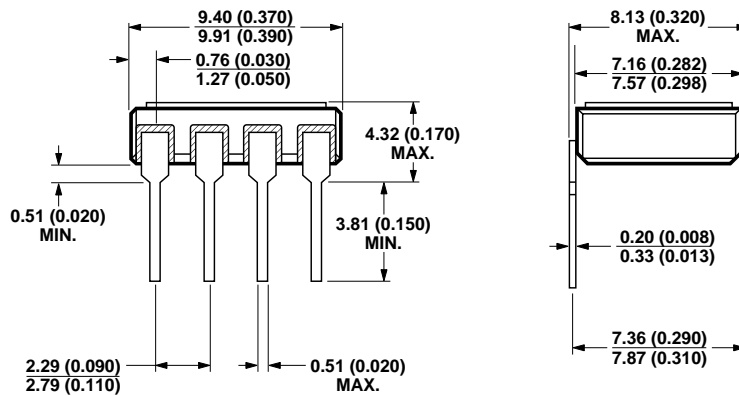
(MIL-STD-883, Method 3015) ..... (ΔΔ), Class 2

### Recommended Operating Conditions

| Parameter                          | Symbol          | Min. | Max. | Units |
|------------------------------------|-----------------|------|------|-------|
| Power Supply                       | V <sub>CC</sub> | 3.0  | 18   | V     |
| Operating Frequency <sup>[1]</sup> | f               | 0    | 10   | KHz   |

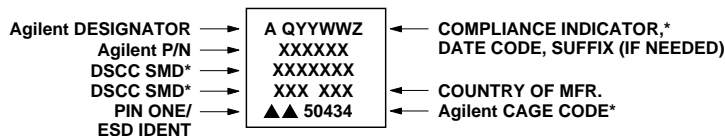
### Outline Drawing

8 Pin DIP Through Hole



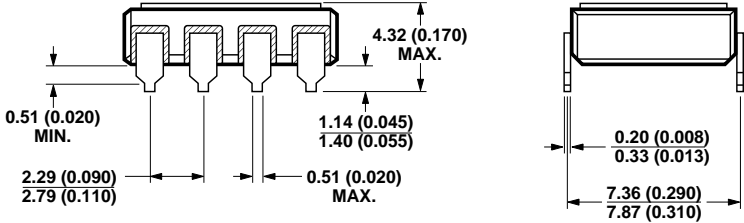
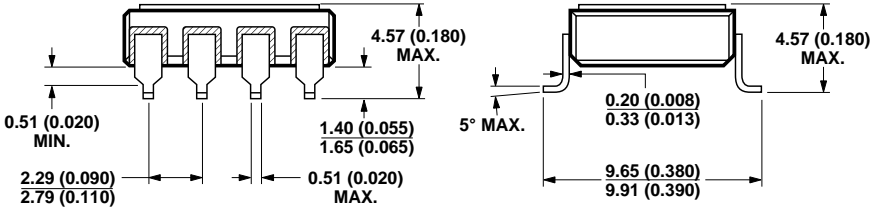
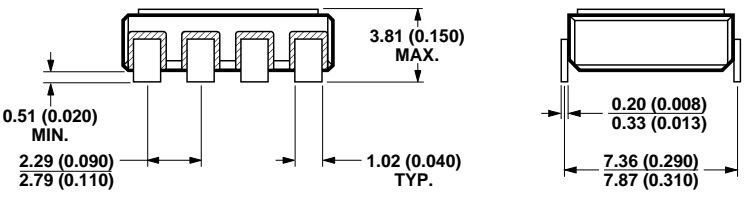
NOTE: DIMENSIONS IN MILLIMETERS (INCHES).

### Device Marking



\* QUALIFIED PARTS ONLY

## Hermetic Optocoupler Options

| Option | Description   |
|--------|---|
| 100    | <p>Surface mountable hermetic optocoupler with leads trimmed for butt joint assembly. This option is available on commercial and hi-rel product.</p>    |
| 200    | <p>Lead finish is solder dipped rather than gold plated. This option is available on commercial and hi-rel product. DSCC Drawing part numbers contain provisions for lead finish.</p>   |
| 300    | <p>Surface mountable hermetic optocoupler with leads cut and bent for gull wing assembly. This option is available on commercial and hi-rel product. This option has solder dipped leads.</p>                                 |
| 600    | <p>Surface mountable hermetic optocoupler with leads trimmed for butt joint assembly. This option is available on commercial and hi-rel product. Contact factory for the availability of this option on DSCC part types.</p>  |

**Note:** Dimensions in millimeters (inches).

**Electrical Characteristics**  $T_A = -55^\circ\text{C}$  to  $125^\circ\text{C}$ , unless otherwise specified. See note 16.

| Parameter                 |                   | Symbol     | Conditions   | Group A Subgroup | Min. | Typ.* | Max. | Units         | Fig. | Note  |
|---------------------------|-------------------|------------|--|------------------|------|-------|------|---------------|------|-------|
| Input Threshold Current   |                   | $I_{TH+}$  | $V_{IN} = V_{TH+}; V_{CC} = 4.5\text{ V}; V_O = 0.4\text{ V}; I_O \geq 2.6\text{ mA}$                                    | 1, 2, 3          | 1.75 | 2.5   | 3.20 | mA            |      |       |
|                           |                   | $I_{TH-}$  | $V_{IN} = V_{TH-}; V_{CC} = 4.5\text{ V}; V_O = 2.4\text{ V}; I_{OH} \leq 250\text{ }\mu\text{A}$                        | 1, 2, 3          | 0.93 | 1.3   | 1.62 | mA            |      |       |
| Input Threshold Voltage   | dc<br>(Pins 2, 3) | $V_{TH+}$  | $V_{IN} = V_2 - V_3$ ; Pins 1 & 4 Open<br>$V_{CC} = 4.5\text{ V}; V_O = 0.4\text{ V}; I_O \geq 2.6\text{ mA}$            | 1, 2, 3          | 3.18 | 3.6   | 4.10 | V             | 1, 2 | 7     |
|                           |                   | $V_{TH-}$  | $V_{IN} = V_2 - V_3$ ; Pins 1 & 4 Open<br>$V_{CC} = 4.5\text{ V}; V_O = 2.4\text{ V}; I_O \leq 250\text{ }\mu\text{A}$   | 1, 2, 3          | 1.90 | 2.5   | 3.00 | V             |      |       |
|                           | ac<br>(Pins 1, 4) | $V_{TH+}$  | $V_{IN} =  V_1 - V_4 $ ; Pins 2 & 3 Open<br>$V_{CC} = 4.5\text{ V}; V_O = 0.4\text{ V}; I_O \geq 2.6\text{ mA}$          | 1, 2, 3          | 3.79 | 5.0   | 5.62 | V             |      | 7, 8  |
|                           |                   | $V_{TH-}$  | $V_{IN} =  V_1 - V_4 $ ; Pins 2 & 3 Open<br>$V_{CC} = 4.5\text{ V}; V_O = 2.4\text{ V}; I_O \leq 250\text{ }\mu\text{A}$ | 1, 2, 3          | 2.57 | 3.7   | 4.52 | V             |      |       |
| Input Clamp Voltage       |                   | $V_{IHC1}$ | $V_{IHC1} = V_2 - V_3$ ;<br>$V_3 = \text{GND}$ ;<br>$I_{IN} = 10\text{ mA}$ ; Pin 1 & 4 Connected to Pin 3               | 1, 2, 3          | 5.3  | 5.9   | 6.7  | V             | 3    | 15    |
|                           |                   | $V_{IHC2}$ | $V_{IHC2} =  V_1 - V_4 $ ;<br>$ I_{IN}  = 10\text{ mA}$ ;<br>Pins 2 & 3 Open   | 1, 2, 3          | 6.0  | 6.6   | 7.4  | V             |      |       |
|                           |                   | $V_{IHC3}$ | $V_{IHC3} = V_2 - V_3$ ;<br>$V_3 = \text{GND}$ ;<br>$I_{IN} = 15\text{ mA}$ ;<br>Pins 1 & 4 Open                         | 1, 2, 3          |      | 12.0  | 13.0 | V             |      |       |
| Input Current             |                   | $I_{IN}$   | $V_{IN} = V_2 - V_3 = 5.0\text{ V}$ ;<br>Pins 1 & 4 Open   | 1, 2, 3          | 3.0  | 3.9   | 4.5  | mA            | 4    |       |
| Logic Low Output Voltage  |                   | $V_{OL}$   | $V_{CC} = 4.5\text{ V}$ ;<br>$I_{OL} = 2.6\text{ mA}$  | 1, 2, 3          |      | 0.05  | 0.4  | V             | 4    |       |
| Logic High Output Current |                   | $I_{OH}$   | $V_{OH} = V_{CC} = 18\text{ V}$  | 1, 2, 3          |      |       | 250  | $\mu\text{A}$ |      | 7     |
| Logic Low Supply Current  |                   | $I_{CCL}$  | $V_2 - V_3 = 5.0\text{ V}$ ;<br>$V_O = \text{Open}$ ; $V_{CC} = 18\text{ V}$   | 1, 2, 3          |      | 0.8   | 3.0  | mA            |      |       |
| Logic High Supply Current |                   | $I_{CCH}$  | $V_{CC} = 18\text{ V}$ ; $V_O = \text{Open}$   | 1, 2, 3          |      | 0.001 | 20   | $\mu\text{A}$ | 5    |       |
| Input-Output Insulation   |                   | $I_{I/O}$  | 45% RH, $t = 5\text{ s}$ ;<br>$V_{I/O} = 1500\text{ Vdc}$ ;<br>$T_A = 25^\circ\text{C}$                                  | 1                |      |       | 1    | $\mu\text{A}$ |      | 9, 10 |

**Electrical Characteristics**  $T_A = -55^\circ\text{C}$  to  $125^\circ\text{C}$ ,  $V_{CC} = 5.0\text{ V}$ , unless otherwise specified (continued).

| Parameter   | Symbol    | Conditions  | Group A Subgroup                                   | Min. | Typ.*         | Max.          | Units                  | Fig. | Note             |
|---|-----------|---|--|------|---------------|---------------|------------------------|------|------------------|
| Propagation Delay Time to Logic Low Output Level  | $t_{PHL}$ | $R_L = 1.8\text{ k}\Omega$ , $C_L = 15\text{ pF}$ | 9, 10, 11  |      | 4             | 20            | $\mu\text{s}$          | 6, 7 | 6, 11            |
| Propagation Delay Time to Logic High Output Level | $t_{PLH}$ | $R_L = 1.8\text{ k}\Omega$ , $C_L = 15\text{ pF}$ | 9, 10, 11  |      | 8             | 40            | $\mu\text{s}$          |      | 6, 12            |
| Logic High Common Mode Transient Immunity         | $ CM_H $  | $V_{CM} = 50\text{ V}$                            | $T_A = 25^\circ\text{C}$<br>$I_{IN} = 0\text{ mA}$ | 9    | 1000          | $\geq 10,000$ | $\text{V}/\mu\text{s}$ | 8    | 13,<br>14,<br>17 |
|   |           | $V_{CM} = 450\text{ V}$                           |  |      | $\geq 10,000$ |               |                        |      |                  |
| Logic Low Common Mode Transient Immunity          | $ CM_L $  | $V_{CM} = 50\text{ V}$                            | $T_A = 25^\circ\text{C}$<br>$I_{IN} = 4\text{ mA}$ | 9    | 1000          | $\geq 5,000$  | $\text{V}/\mu\text{s}$ |      |                  |
|   |           | $V_{CM} = 250\text{ V}$                           |  |      | $\geq 5,000$  |               |                        |      |                  |

\*All typical values are at  $T_A = 25^\circ\text{C}$ ,  $V_{CC} = 5\text{ V}$  unless otherwise noted.

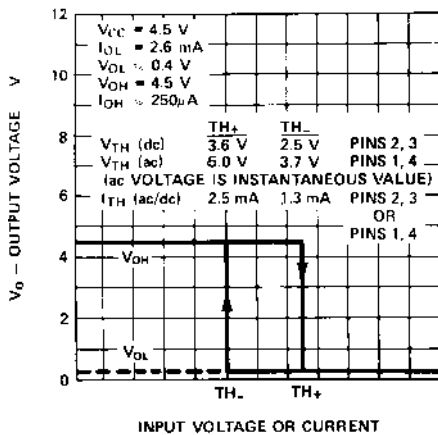


Figure 1. Typical Transfer Characteristics.

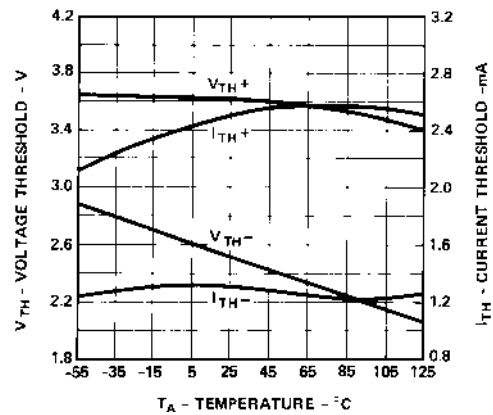


Figure 2. Typical dc Threshold Levels vs. Temperature.

**Typical Characteristics** All typical values are at  $T_A = 25^\circ\text{C}$ ,  $V_{CC} = 5\text{ V}$ , unless otherwise specified.

| Parameter                    | Symbol            | Typ.      | Units         | Conditions   | Fig. | Note |
|------------------------------|-------------------|-----------|---------------|--|------|------|
| Hysteresis                   | $I_{\text{HYS}}$  | 1.2       | mA            | $I_{\text{HYS}} = I_{\text{TH+}} - I_{\text{TH-}}$                                     | 1    |      |
|                              | $V_{\text{HYS}}$  | 1.1       | V             | $V_{\text{HYS}} = V_{\text{TH+}} - V_{\text{TH-}}$                                     |      |      |
| Input Clamp Voltage          | $V_{\text{ILC}}$  | -0.76     | V             | $V_{\text{ILC}} = V_2 - V_3$ ; $V_3 = \text{GND}$ ;<br>$I_{\text{IN}} = -10\text{ mA}$ |      |      |
| Bridge Diode Forward Voltage | $V_{\text{D1,2}}$ | 0.62      |               | $I_{\text{IN}} = 3\text{ mA}$ (see schematic)  |      |      |
|                              | $V_{\text{D3,4}}$ | 0.73      |               |  |      |      |
| Input-Output Resistance      | $R_{\text{IO}}$   | $10^{12}$ | $\Omega$      | $V_{\text{IO}} = 500\text{ Vdc}$   |      | 9    |
| Input-Output Capacitance     | $C_{\text{IO}}$   | 2.0       | pF            | $f = 1\text{ MHz}$ , $V_{\text{IO}} = 0\text{ Vdc}$                                    |      |      |
| Input Capacitance            | $C_{\text{IN}}$   | 50        | pF            | $f = 1\text{ MHz}$ ; $V_{\text{IN}} = 0\text{ V}$ ,<br>Pins 2 & 3, Pins 1 & 4 Open     |      |      |
| Output Rise Time (10-90%)    | $t_r$             | 10        | $\mu\text{s}$ |  | 7    |      |
| Output Fall Time (90-10%)    | $t_f$             | 0.5       | $\mu\text{s}$ |  | 7    |      |

**Notes:**

- Maximum operating frequency is defined when output waveform (Pin 6) attains only 90% of  $V_{CC}$  with  $R_L = 1.8\text{ k}\Omega$ ,  $C_L = 15\text{ pF}$  using a 5 V square wave input signal.
- Measured at a point 1.6 mm below seating plane.
- Current into/out of any single lead.
- Surge input current duration is 3 ms at 120 Hz pulse repetition rate. Transient input current duration is 10  $\mu\text{s}$  at 120 Hz pulse repetition rate. Note that maximum input power,  $P_{\text{IN}}$ , must be observed.
- Derate linearly above 100°C free-air temperature at a rate of 4.26 mW/°C. Maximum input power dissipation of 195 mW allows an input IC junction temperature of 150°C at an ambient temperature of  $T_A = 125^\circ\text{C}$  with a typical thermal resistance from junction to ambient of  $\theta_{\text{JAi}} = 235^\circ\text{C/W}$ . The typical thermal resistance from junction to case is equal to 170°C/W. Excessive  $P_{\text{IN}}$  and  $T_J$  may result in device degradation.
- The 1.8 k $\Omega$  load represents 1 TTL unit load of 1.6 mA and the 4.7 k $\Omega$  pull-up resistor.
- Logic low output level at Pin 6 occurs under the conditions of  $V_{\text{IN}} \geq V_{\text{TH+}}$  as well as the range of  $V_{\text{IN}} > V_{\text{TH-}}$  once  $V_{\text{IN}}$  has exceeded  $V_{\text{TH+}}$ . Logic high output level at Pin 6 occurs under the conditions of  $V_{\text{IN}} \leq V_{\text{TH-}}$  as well as the range of  $V_{\text{IN}} < V_{\text{TH+}}$  once  $V_{\text{IN}}$  has decreased below  $V_{\text{TH-}}$ .
- The ac voltage is instantaneous voltage.
- Device considered a two terminal device: Pins 1, 2, 3, 4 connected together, Pins 5, 6, 7, 8 connected together.
- This is a momentary withstand test, not an operating condition.
- The  $t_{\text{PHL}}$  propagation delay is measured from the 2.5 V level of the leading edge of a 5.0 V input pulse (1  $\mu\text{s}$  rise time) to the 1.5 V level on the leading edge of the output pulse (see Figure 7).
- The  $t_{\text{PLH}}$  propagation delay is measured from the 2.5 V level of the trailing edge of a 5.0 V input pulse (1  $\mu\text{s}$  fall time) to the 1.5 V level on the trailing edge of the output pulse (see Figure 7).
- Common mode transient immunity in Logic High level is the maximum tolerable  $dV_{\text{CM}/dt}$  of the common mode voltage,  $V_{\text{CM}}$ , to ensure that the output will remain in a Logic High state (i.e.,  $V_O > 2.0\text{ V}$ ). Common mode transient immunity in Logic Low level is the maximum tolerable  $dV_{\text{CM}/dt}$  of the common mode voltage,  $V_{\text{CM}}$ , to ensure that the output will remain in a Logic Low state (i.e.,  $V_O < 0.8\text{ V}$ ). See Figure 8.
- In applications where  $dV_{\text{CM}/dt}$  may exceed 50,000 V/ $\mu\text{s}$  (such as static discharge), a series resistor,  $R_{\text{CC}}$ , should be included to protect the detector IC from destructively high surge currents. The recommended value for  $R_{\text{CC}}$  is 240  $\Omega$  per volt of allowable drop in  $V_{\text{CC}}$  (between Pin 8 and  $V_{\text{CC}}$ ) with a minimum value of 240  $\Omega$ .
- $D_1$  and  $D_2$  are Schottky diodes;  $D_3$  and  $D_4$  are zener diodes.
- Standard parts receive 100% testing at 25°C (Subgroups 1 and 9). SMD, Class H and Class K parts receive 100% testing at 25, 125, and -55°C (Subgroups 1 and 9, 2 and 10, 3 and 11, respectively.)
- Parameters shall be tested as part of device initial characterization and after process changes. Parameters shall be guaranteed to the limits specified for all lots not specifically tested.

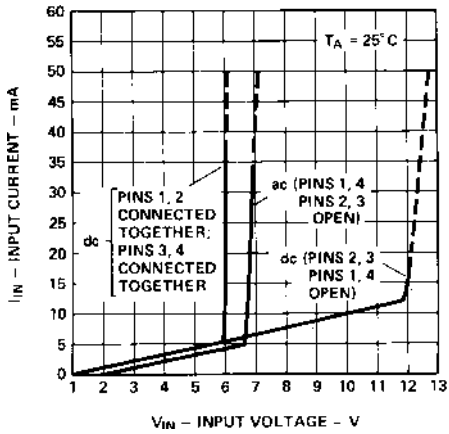


Figure 3. Typical Input Characteristics,  $I_{IN}$  vs.  $V_{IN}$ . (AC Voltage is Instantaneous Value.)

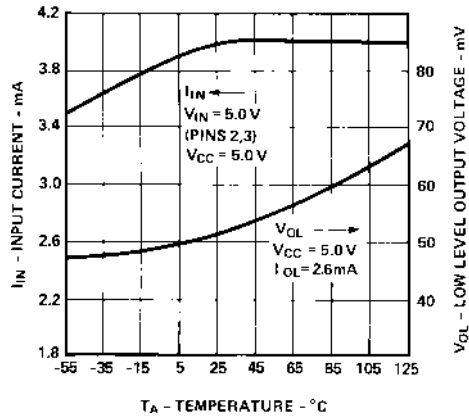


Figure 4. Typical Input Current,  $I_{IN}$ , and Low Level Output Voltage,  $V_{OL}$ , vs. Temperature.

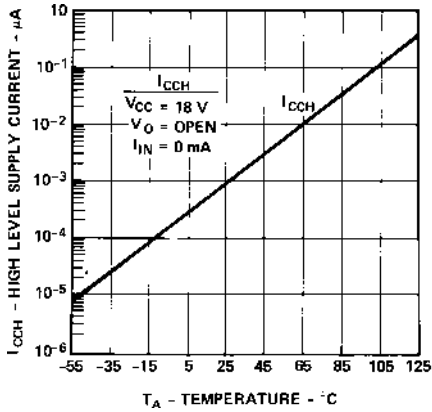


Figure 5. Typical High Level Supply Current,  $I_{CCH}$  vs. Temperature.

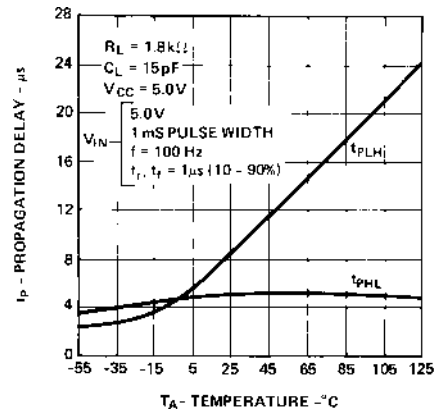


Figure 6. Typical Propagation Delay vs. Temperature.

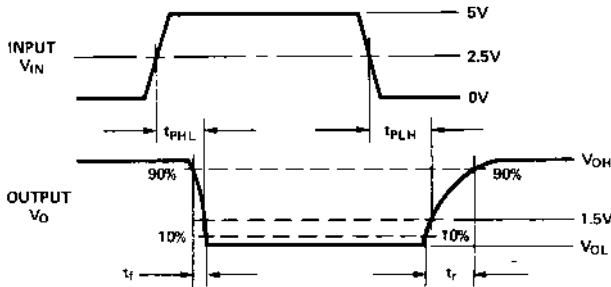
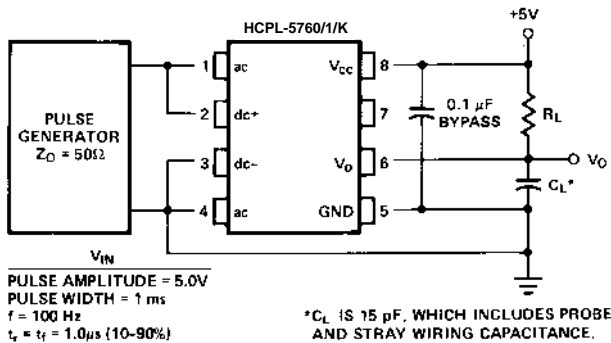


Figure 7. Switching Test Circuit.

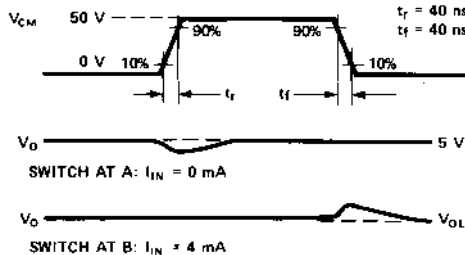
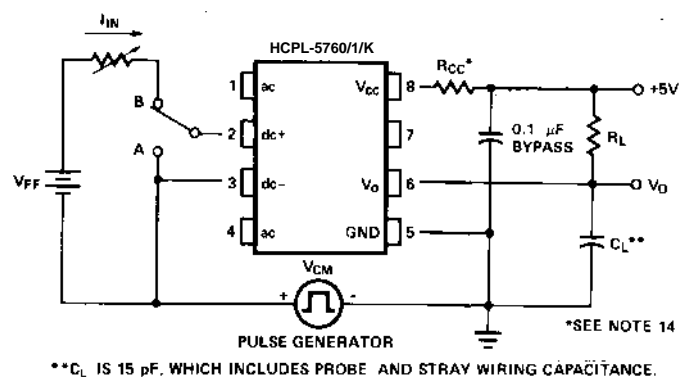


Figure 8. Test Circuit for Common Mode Transient Immunity and Typical Waveforms.



## Electrical Considerations

The HCPL-5760, HCPL-5761, HCPL-576K or 5962-89477 optocoupler has internal temperature compensated, predictable voltage and current threshold points which allow selection of an external resistor,  $R_x$ , to determine larger external threshold voltage levels. For a desired external threshold voltage,  $V_{\pm}$ , a corresponding typical value of  $R_x$  can be obtained from Figure 10. Specific calculation of  $R_x$  can be obtained from Equation (1) of Figure 11. Specification of both  $V_+$  and  $V_-$  voltage threshold levels simultaneously can be obtained by the use of  $R_x$  and  $R_p$  as shown in Figure 11 and determined by Equations (2) and (3).

$R_x$  can provide over-current transient protection by limiting input current during a transient condition. For monitoring contacts with a relay or switch, the HCPL-5760/1/K, or 5962-89477 combination with  $R_x$  and  $R_p$  can be used to allow a specific current to be conducted through the contacts for cleaning purposes (wetting current).

The choice of which input voltage clamp level to choose depends upon the application of this device (see Figure 3). It is recommended that the low clamp condition be used when possible to lower the input power dissipation as well as the LED current, which minimizes LED degradation over time.

In applications where  $dV_{CM/dt}$  may be extremely large (such as static discharge), a series resistor,  $R_{CC}$ , should be connected in series with  $V_{CC}$  and Pin 8 to protect the

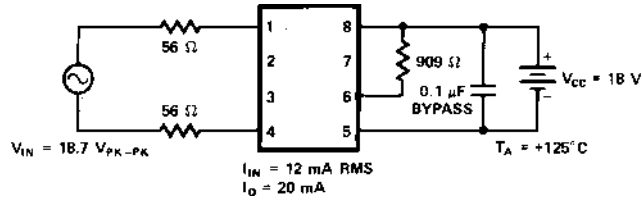


Figure 9. Operating Circuit for Burn-In and Steady State Life Tests.

detector IC from destructively high surge currents. See note 14 for determination of  $R_{CC}$ . In addition, it is recommended that a ceramic disc bypass capacitor of 0.01  $\mu\text{F}$  to 0.1  $\mu\text{F}$  be placed between Pins 8 and 5 to reduce the effect of power supply noise.

For interfacing ac signals to TTL systems, output low pass filtering can be performed with a pullup resistor of 1.5  $\text{k}\Omega$  and 20  $\mu\text{F}$  capacitor. This application requires a Schmitt trigger gate to avoid slow rise time chatter problems. For ac input applications, a filter capacitor can be placed across the dc input terminals for either signal or transient filtering.

Either ac (Pins 1, 4) or dc (Pins 2, 3) input can be used to determine external threshold levels.

For one specifically selected external threshold voltage level  $V_+$  or  $V_-$ ,  $R_x$  can be determined without use of  $R_p$  via

$$R_x = \frac{V_{\pm} - V_{TH\pm}}{I_{TH\pm}} \quad (1)$$

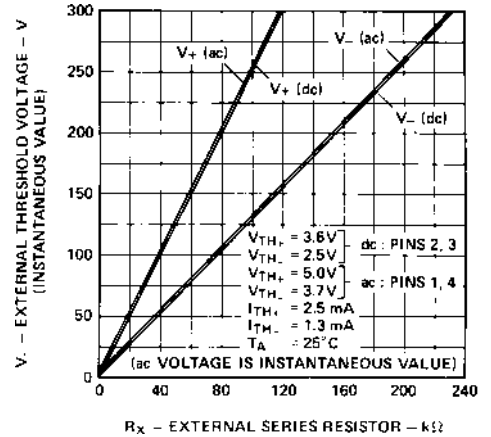


Figure 10. Typical External Threshold Characteristic,  $V_{\pm}$  vs.  $R_x$ .

For two specifically selected external threshold voltage levels,  $V_+$  and  $V_-$ , the use of  $R_x$  and  $R_p$  will permit this selection via equations (2), (3) provided the following conditions are met:

$$\frac{V_+}{V_-} \geq \frac{V_{TH+}}{V_{TH-}} \text{ and } \frac{V_+ - V_{TH+}}{V_- - V_{TH-}} < \frac{I_{TH+}}{I_{TH-}}$$

$$R_x = \frac{V_{TH-} (V_+) - V_{TH+} (V_-)}{I_{TH+} (V_{TH-}) - I_{TH-} (V_{TH+})} \quad (2)$$

$$R_p = \frac{V_{TH-} (V_+) - V_{TH+} (V_-)}{I_{TH+} (V_- - V_{TH-}) + I_{TH-} (V_{TH+} - V_+)} \quad (3)$$

See Application Note 1004 for more information.

## MIL-PRF-38534 Class H, Class K, and DSCC SMD Test Program

Agilent Technologies' Hi-Rel Optocouplers are in compliance with MIL-PRF-38534 Class H and K. Class H and Class K devices are also in compliance with DSCC drawing 5962-89477.

Testing consists of 100% screening and quality conformance inspection to MIL-PRF-38534.

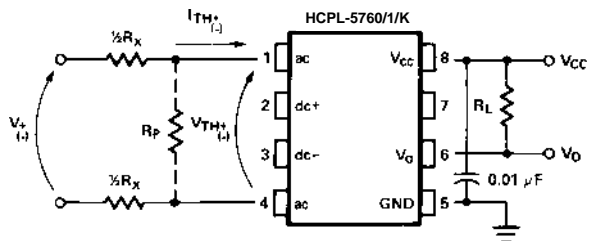
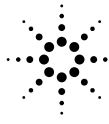


Figure 11. External Threshold Voltage Level Selection.



**Agilent Technologies**  
Innovating the HP Way

*[www.semiconductor.agilent.com](http://www.semiconductor.agilent.com)*

Data subject to change.

Copyright © 2000 Agilent Technologies

Obsoletes 5968-0406E

5968-9404E (4/00)