

FEATURES AND SPECIFICATIONS

Features and Benefits

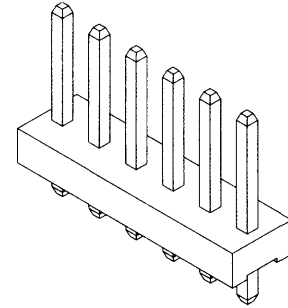
- Sizes 2 to 12 circuits
- Other plating options available

Reference Information

Packaging: Bag
 UL File No.: E29179
 CSA File No.: LR19980
 Mates With: 5195-N, 5239-N and 5145-NAH/NCH housings
 Designed In: Millimeters

molex® 3.96mm (.156") Pitch Header

5271-NA
Vertical



Electrical

Voltage: 250V
 Current: 7.0A
 Contact Resistance: 10mΩ max.
 Dielectric Withstanding Voltage: 1500V AC/1 min.
 Insulation Resistance: 1000 MΩ min.

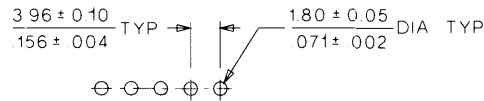
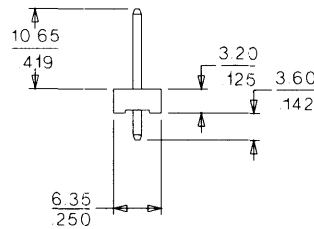
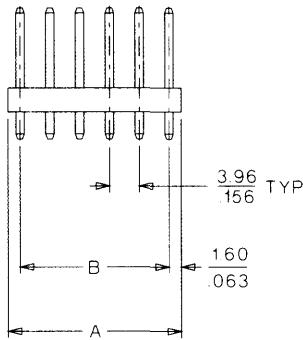
Physical

Housing: 6/6 nylon, UL 94V-2
 Contact: Brass, 1.14mm (.045") square
 Plating: Tin
 Operating Temperature: -40 to +105°C

D

3.00 to 7.92mm (.118 to .312") Pitch

CATALOG DRAWING (FOR REFERENCE ONLY)



PCB LAYOUT COMPONENT SIDE

RECOMMENDED PCB THICKNESS: 1.60 ± 0.10
 .063 ± .004

ORDERING INFORMATION AND DIMENSIONS

Circuits	Order No.	Dimension	
		A	B
2	09-67-4021	7.16 (.282)	3.96 (.156)
3	09-67-4031	11.12 (.437)	7.92 (.312)
4	09-67-4041	15.08 (.593)	11.88 (.467)
5	09-67-4051	19.04 (.749)	15.84 (.623)
6	09-67-4061	23.00 (.906)	19.80 (.779)
7	09-67-4071	26.96 (1.061)	23.76 (.935)
8	09-67-4081	30.92 (1.217)	27.72 (1.091)
9	09-67-4091	34.88 (1.371)	31.68 (1.247)
10	09-67-4101	38.84 (1.529)	35.64 (1.403)
11	09-67-4111	42.80 (1.690)	39.60 (1.559)
12	09-67-4121	46.76 (1.840)	43.56 (1.714)