

FEATURES AND SPECIFICATIONS

Features and Benefits

- Sizes 2 to 12 circuits

Reference Information

Packaging: Bag
 UL File No.: E29179
 CSA File No.: LR19980
 Mates With: 41661 headers
 Designed In: Millimeters

Electrical

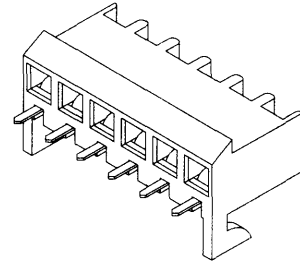
Voltage: 250V
 Current: 5.0A
 Contact Resistance: 10mΩ max.
 Dielectric Withstanding Voltage: 1500V AC/1 min.
 Insulation Resistance: 1000 MΩ min.

Physical

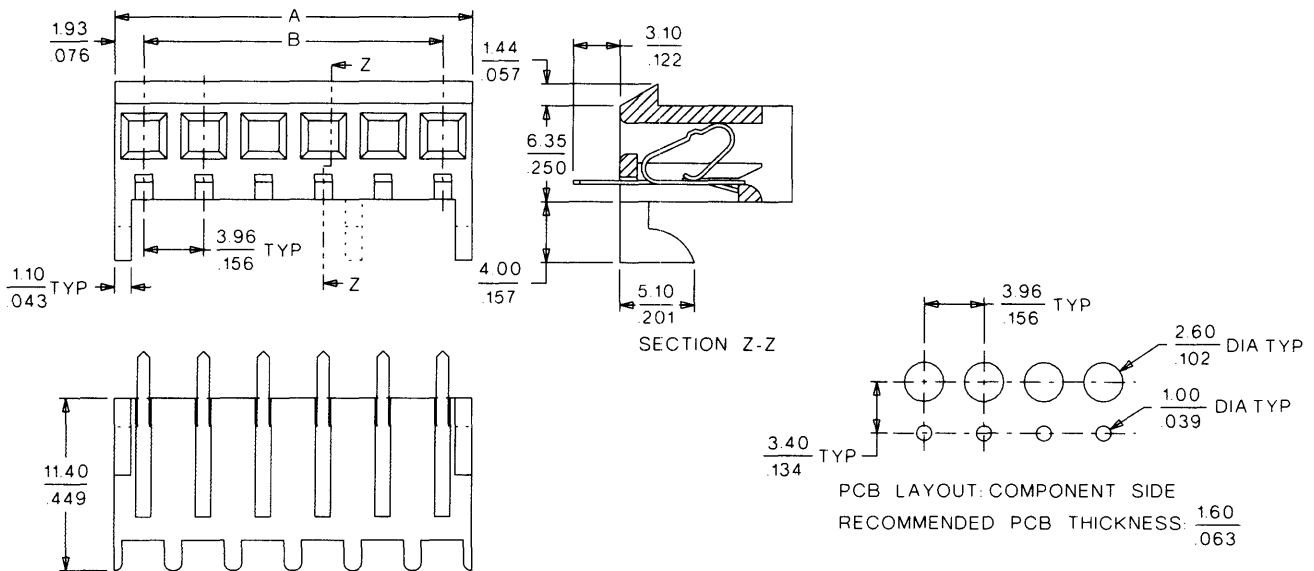
Housing: 6/6 nylon, UL 94V-2
 Contact: Brass
 Plating: Tin
 Operating Temperature: -40 to +105°C

molex® 3.96mm (.156") Pitch PC Board Connector

5145-NBH Bottom Entry



CATALOG DRAWING (FOR REFERENCE ONLY)



ORDERING INFORMATION AND DIMENSIONS

Circuits	Order No.	Dimension		Additional PCB Edge Guide
		A	B	
2	26-01-1028	7.82 (.308)	3.96 (.156)	
3	26-01-1038	11.78 (.464)	7.92 (.312)	
4	26-01-1048	15.74 (.620)	11.88 (.468)	
5	26-01-1058	19.70 (.775)	15.84 (.624)	
6	26-01-1068	23.66 (.931)	19.80 (.780)	
7	26-01-1078	27.62 (1.087)	23.76 (.935)	
8	26-01-1088	31.58 (1.243)	27.72 (1.091)	Between 4 and 5 Circuits
9	26-01-1098	35.54 (1.399)	31.68 (1.247)	Between 5 and 6 Circuits
10	26-01-1108	39.50 (1.555)	35.64 (1.403)	Between 5 and 6 Circuits
12	26-01-1128	47.42 (1.870)	43.56 (1.715)	Between 4/5 and 8/9 Circuits

D
3.00 to 7.92mm (.118 to .312") Pitch