

FEATURES AND SPECIFICATIONS

Features and Benefits

- Sizes 2 to 15 circuits
- Available without locking ramp or hook
- Polarizing key available
- Various tail lengths available
- Available with kinked tail option or single beam for low insertion force
- See 6365 for Trifurcon™ equivalent (contact Molex)

Reference Information

Packaging: Bag
 UL File No.: E29179
 CSA File No.: LR19980
 Mates With: Molex KK 3.96mm (.156") locking headers or 1.14mm (.045") stacked pins
 Designed In: Inches

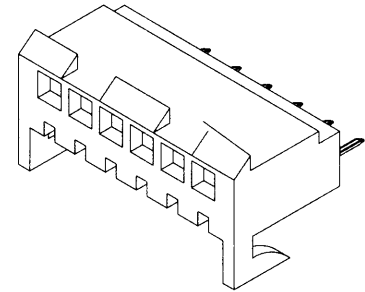
Electrical

Voltage: 250V
 Current: 5.0A max.*
 Contact Resistance: 6mΩ max.
 Dielectric Withstanding Voltage: 1500V AC
 Insulation Resistance: 50K MΩ min.

Physical

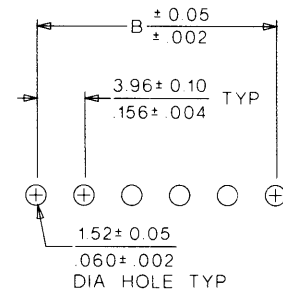
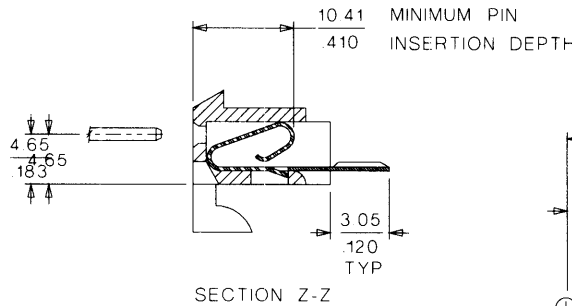
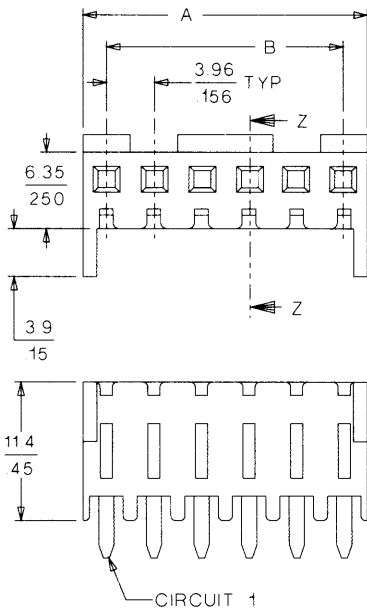
Housing: Nylon, UL 94V-2
 (see 41815 for polyester, UL 94V-0)
 Contact: Brass or Phosphor Bronze
 Plating: See Table
 Operating Temperature: 0 to +75°C

molex® 3.96mm (.156") Pitch KK® PC Board Connector 2145/3215 Top Entry



3.00 to 7.92mm (.118 to .312") Pitch

CATALOG DRAWING (FOR REFERENCE ONLY)



Polarizing Key	Order No. 15-04-0219
----------------	-------------------------

Note: 2145 shown

ORDERING INFORMATION AND DIMENSIONS

Circuits	Order No.				Dimension		Center Hook(s) Location
	2145		3215 ¹		A	B	
	Tin	Select Gold	Tin	Select Gold			
2	• 09-62-6025	• 09-62-3023			7.82 (1.308)	3.96 (.156)	
3	• 09-62-6035	• 09-62-3033	26-11-2033	26-30-1033	11.79 (.464)	7.92 (.312)	
4	• 09-62-6045	• 09-62-3043	26-11-2043	26-30-1043	15.75 (.620)	11.89 (.468)	
5	• 09-62-6055	• 09-62-3053	26-11-2053	26-30-1053	19.71 (.776)	15.85 (.624)	
6	• 09-62-6065	• 09-62-3063	26-11-2063	26-30-1063	23.07 (.932)	19.81 (.780)	
7	• 09-62-6075	• 09-62-3073	26-11-2073	26-30-1073	27.64 (1.088)	23.77 (.936)	
8	• 09-62-6085	• 09-62-3083	26-11-2083	26-30-1083	31.60 (1.244)	27.74 (1.092)	(1) between circuits 4-5
9	• 09-62-6095	• 09-62-3093	26-11-2093	26-30-1093	35.56 (1.400)	31.70 (1.248)	(1) between circuits 4-5
10	• 09-62-6105	• 09-62-3103	26-11-2103	26-30-1103	39.52 (1.556)	35.66 (1.404)	(1) between circuits 5-6
11	• 09-62-6115	• 09-62-3113	26-11-2113	26-30-1113	43.48 (1.712)	39.62 (1.560)	
12	• 09-62-6125	• 09-62-3123	26-11-2123	26-30-1123	47.45 (1.868)	43.59 (1.716)	(2) between circuits 4-5 and 8-9
13	• 09-62-6135	• 09-62-3133	26-11-2133	26-30-1133	51.41 (2.024)	47.55 (1.872)	
14	• 09-62-6145	• 09-62-3143	23-11-2143	26-30-1143	55.37 (2.180)	51.51 (2.028)	
15	• 09-62-6155	• 09-62-3153	26-11-2153	26-30-1153	59.33 (2.336)	55.47 (2.184)	(2) between circuits 5-6 and 10-11

* US Standard Product, available through Molex franchised distributors

* Dependent upon PC board

¹ Preferred version in Europe and the Far East