

PLEASE CHECK WWW.MOLEX.COM FOR LATEST PART INFORMATION

Part Number: [0355730300](#)
Status: **Active**
Description: 5.83mm (.230") Pitch Cluster Block Terminal Housing, for 2.29mm (.090") Diameter Pin, 3 Circuits

Documents:

[3D Model](#) [Product Specification PS-35573-001 \(PDF\)](#)
[Drawing \(PDF\)](#) [RoHS Certificate of Compliance \(PDF\)](#)

Agency Certification

UL E29179

General

Product Family Crimp Housings
 Series [35573](#)
 Product Name N/A

Physical

Circuits (maximum) 3
 Gender Female
 Glow-Wire Compliant No
 Lock to Mating Part None
 Number of Rows 1
 Packaging Type Bag
 Panel Mount No
 Pitch - Mating Interface (in) 0.230 In
 Pitch - Mating Interface (mm) 5.84 mm
 Polarized to Mating Part Yes
 Ports 3
 Temperature Range - Operating -40°C to +105°C

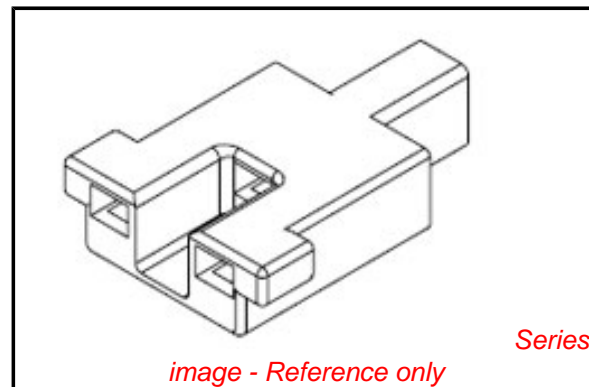
Electrical

Current - Maximum per Contact 10A

Material Info

Reference - Drawing Numbers

Product Specification PS-35573-001
 Sales Drawing SD-35573-001



EU RoHS

ELV and RoHS Compliant
REACH SVHC
 Not Reviewed
Halogen-Free Status

China RoHS



Need more information on product environmental compliance?

Email productcompliance@molex.com
 For a multiple part number RoHS Certificate of Compliance, [click here](#)

Please visit the [Contact Us](#) section for any non-product compliance questions.

Search Parts in this Series
[35573Series](#)

Use With
[57920-6002](#)

DWG. NO.
SD-35573-001

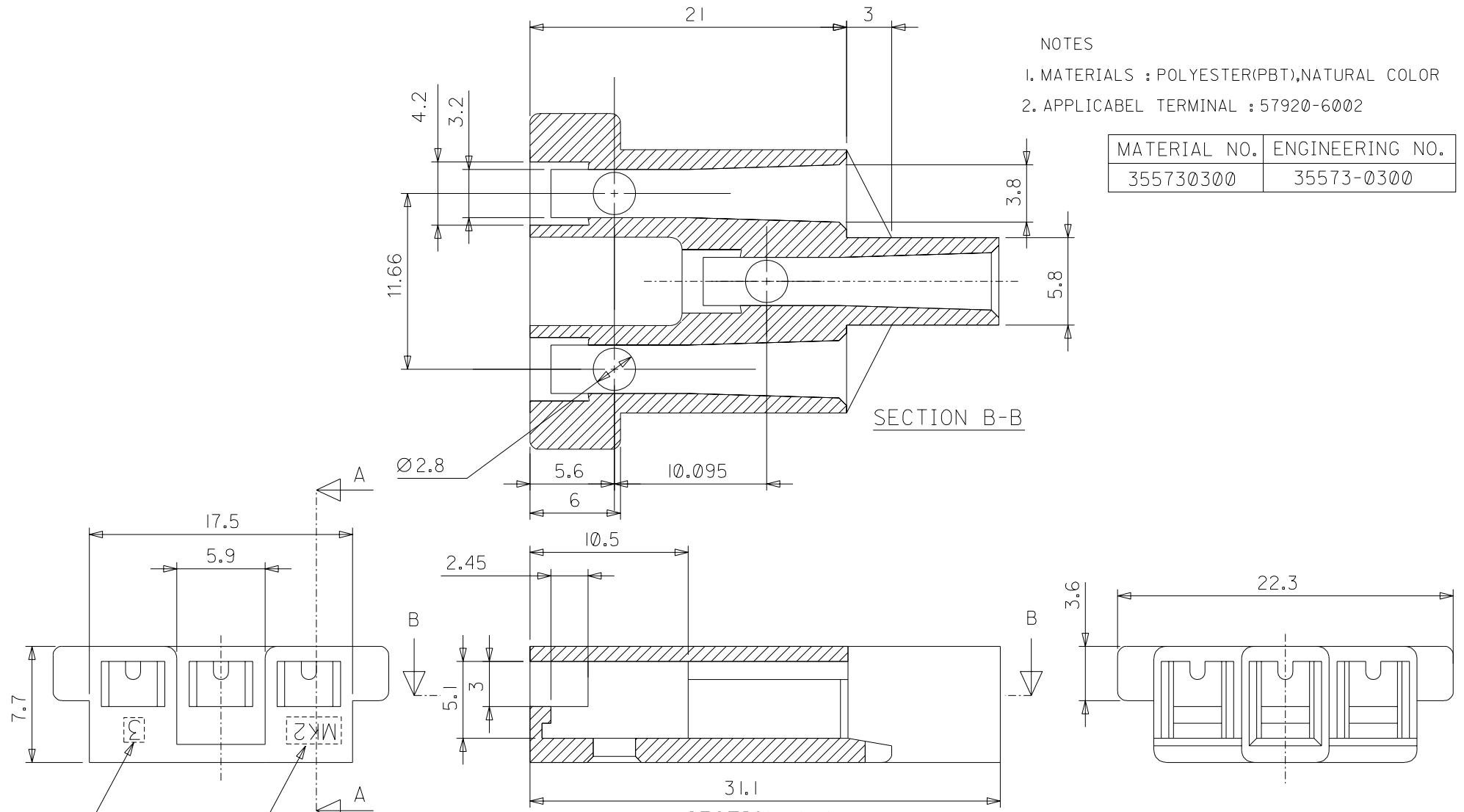
SIMILAR ITEM

PROJECT NO.

C

B

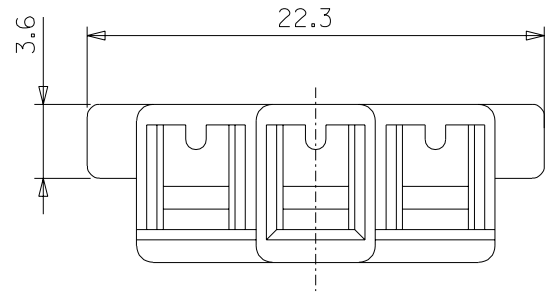
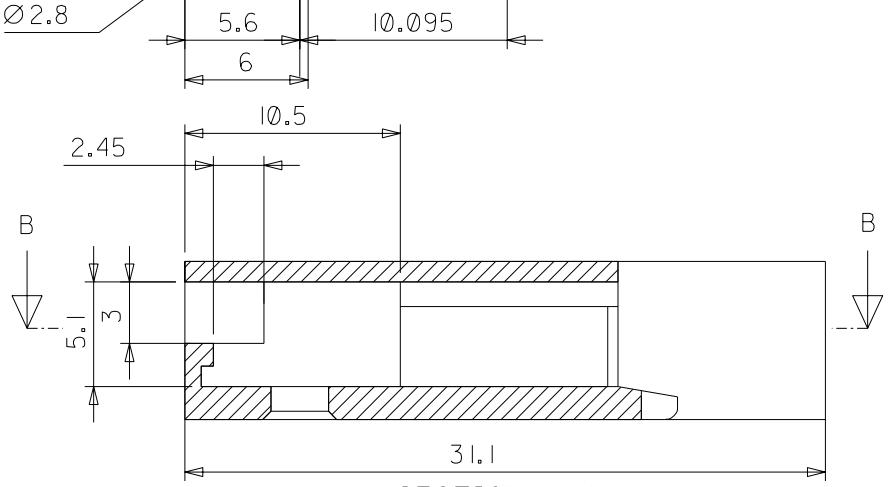
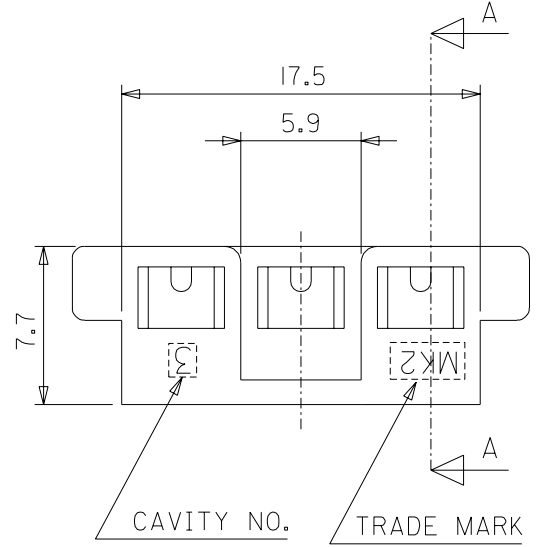
DO NOT SCALE DRAWING
DIMENSION IN METRIC



NOTES

1. MATERIALS : POLYESTER(PBT),NATURAL COLOR
2. APPLICABEL TERMINAL : 57920-6002

MATERIAL NO.	ENGINEERING NO.
355730300	35573-0300



REVISED EC NO. KOR2002-0093 DRWN: C.B.CHIN 02/03/21 CHK: W.Y.YANG APPR: C.W.LEE	DESCRIPTION	QUALITY SYMBOLS	GENERAL TOLERANCES: (UNLESS SPECIFIED)		SCALE 4:1	DESIGN UNITS <input checked="" type="checkbox"/> mm <input type="checkbox"/> INCH	THIRD ANGLE PROJECTION <input type="checkbox"/> mm <input type="checkbox"/> INCH <input checked="" type="checkbox"/> mm ONLY	SHT	REV
		MAJOR = 0	mm	INCH	DRAWN BY & DATE W.Y.YANG 99/11/13	TITLE: CLUSTER BLOCK HOUSIG-3P (2.29 DIA. PIN)			
B	REV	CRITICAL = 0	4 PLACES	±0.	±.	CHECKED BY & DATE B.K.CHOI 99/11/13	MOLEX INCORPORATED		
			3 PLACES	±0.	±.	APPROVED BY & DATE C.W.LEE 99/11/13			
			2 PLACES	±0.25	±.	CAD FILENAME S35573.DGN	MATERIAL NO. SEE CHART	DRAWING NO. SD-35573-001	SHEET NO. 1 OF 1
			1 PLACE	±0.25	±.	THIS DRAWING CONTAINS INFORMATION THAT IS PROPRIETARY TO MOLEX INCORPORATED AND SHOULD NOT BE USED WITHOUT WRITTEN PERMISSION.			SIZE B
DRAFT WHERE APPLICABLE MUST REMAIN WITHIN DIMENSIONS			ANGULAR: ± °		MX-A3				