

PART NUMBER	LED COLOR		LED SPEC. CHART
	POSITION 1	POSITION 2	
569-0111-100	RED	RED	1
569-0111-200	RED	GREEN	1
569-0111-700	RED	ORANGE	1
#569-0111-900	RED	BLUE WHITE DIFF. EPOXY	1
569-0112-000	GREEN	BLANK	1
569-0112-100	GREEN	RED	1
569-0112-200	GREEN	GREEN	1
569-0112-300	GREEN	YELLOW	1
569-0112-700	GREEN	ORANGE	1
569-0113-100	YELLOW	RED	1
569-0113-200	YELLOW	GREEN	1
569-0113-300	YELLOW	YELLOW	1
569-0117-000	ORANGE	BLANK	1
569-0117-700	ORANGE	ORANGE	1
#569-0119-900	BLUE WHITE DIFF. EPOXY	BLUE WHITE DIFF. EPOXY	1
569-0211-100	RED	RED	2
569-0211-300	RED	YELLOW	2
569-0212-200	GREEN	GREEN	2
569-0212-300	GREEN	YELLOW	2
569-0213-300	YELLOW	YELLOW	2
569-0311-100	RED	RED	3
569-0312-200	GREEN	GREEN	3
569-0312-300	GREEN	YELLOW	3
569-0313-300	YELLOW	YELLOW	3
569-0711-100	RED/GREEN	RED/GREEN	4
569-0711-400	RED/GREEN	YELLOW/GREEN	4
569-0714-100	YELLOW/GREEN	RED/GREEN	4
569-0714-400	YELLOW/GREEN	YELLOW/GREEN	4

OPERATING CHARACTERISTICS AT 25°C AMBIENT						
CHARACTERISTICS	LED COLOR	MIN	TYP	MAX	UNITS	TEST CONDITIONS
FORWARD VOLTAGE	RED		2.0	2.8	V	$I_f = 20 \text{ mA}$
	YELLOW		2.1	2.8		
	GREEN		2.1	2.8		
	BLUE		3.5	4.1		
	ORANGE	1.5	2.2	3.0		
REVERSE VOLTAGE	ALL	5			V	$I_R = 100 \mu\text{A}$
PEAK WAVELENGTH	RED		635		nm	MEASURED AT PEAK
	YELLOW		585			
	GREEN		565			
	BLUE		428			
	ORANGE		600			
LUMINOUS INTENSITY	RED	7.4	10.0		mcd	$I_f = 10 \text{ mA}$
	YELLOW	7.4	10.0			
	GREEN	4.7	12.6			
	BLUE	7.1	12.5	18.0		
	ORANGE	3.4	7.0			

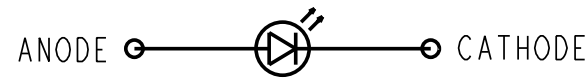
OPERATING CHARACTERISTICS AT 25°C AMBIENT						
CHARACTERISTICS	LED COLOR	MIN	TYP	MAX	UNITS	TEST CONDITIONS
FORWARD VOLTAGE	RED		1.7	2.2	V	$I_f = 2 \text{ mA}$
	YELLOW		1.8	2.7		
	GREEN		1.9	2.2		
REVERSE CURRENT	ALL			10	μA	$V_R = 5 \text{ V}$
PEAK WAVELENGTH	RED		635		nm	MEASURED AT PEAK
	YELLOW		585			
	GREEN		565			
LUMINOUS INTENSITY	RED	1.0	1.6		mcd	$I_f = 2 \text{ mA}$
	YELLOW	1.0	1.6			
	GREEN	1.0	1.6			
	GREEN	1.0	1.6			

REV	ECN NO	REVISIONS	DRN	CKD	APP	DATE
A		NEW RELEASE	DC	---	N.O.	9-18-97
B		ADDED P/N 569-0211-300 & 569-0119-900. UPDATED LED SPECS.	JAV	YIS	N.O.	10-24-03
C		ADDED P/N 569-0111-900, -0112-700, -0112-000, -0112-100, -0111-700, -0113-100, -0113-200, -0117-000, -0111-200 AND ESD LOGO; UPDATED FORMAT AND ESD NOTE	TWC			



LOW CURRENT LED

CHART 2



HIGH EFFICIENCY LED

CHART 1



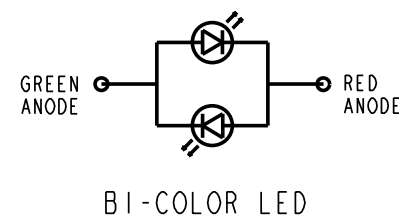
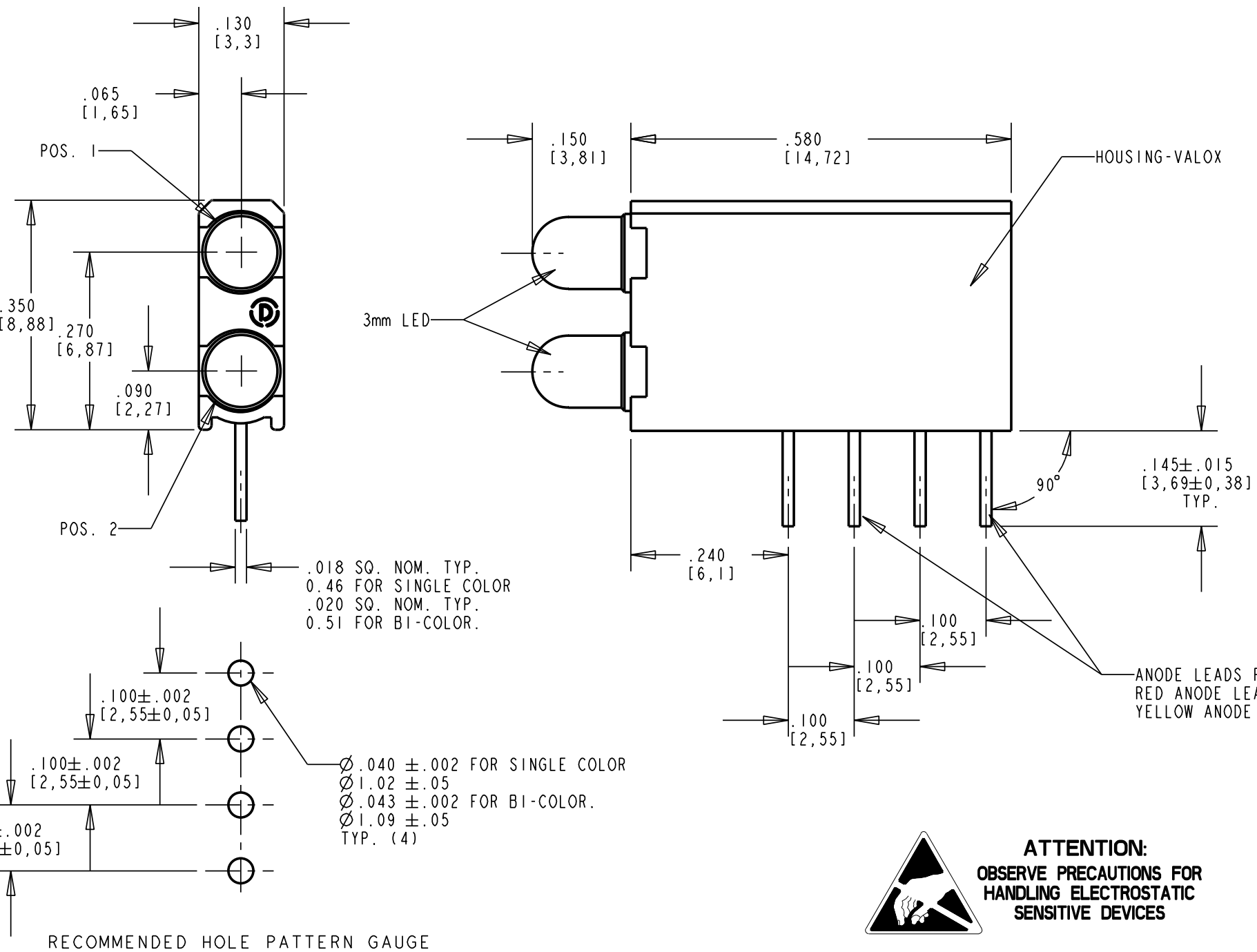
INTEGRAL RESISTOR, 5V LED

CHART 3

OPERATING CHARACTERISTICS AT 25°C AMBIENT						
CHARACTERISTICS	LED COLOR	MIN	TYP	MAX	UNITS	TEST CONDITIONS
FORWARD CURRENT	RED		10	20	mA	$V_f = 5 \text{ V}$
	YELLOW		10	20		
	GREEN		10	20		
REVERSE VOLTAGE	ALL	5			V	$I_R = 100 \mu\text{A}$
PEAK WAVELENGTH	RED		635		nm	MEASURED AT PEAK
	YELLOW		585			
	GREEN		565			
LUMINOUS INTENSITY	RED	8.7	29		mcd	$V_f = 5 \text{ V}$
	YELLOW	3.7	12.6			
	GREEN	5.6	19			

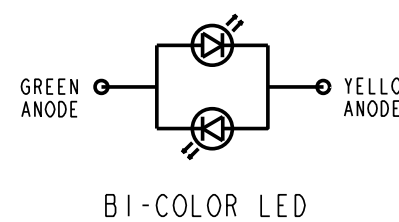
RED/GRN BI-COLOR LEDS OPERATING CHARACTERISTICS AT 25°C AMBIENT						
CHARACTERISTICS	COLOR	MIN	TYP	MAX	UNITS	TEST CONDITIONS
FORWARD VOLTAGE	RED		2.0	2.8	V	$I_f = 20 \text{ mA}$
	GREEN		2.1	2.8		
	GREEN		2.1	2.8		
PEAK WAVELENGTH	RED		635		nm	
LUMINOUS INTENSITY	RED	2.5	4.7		mcd	$I_f = 10 \text{ mA}$
	GREEN	3.7	10.0			

YEL/GRN BI-COLOR LEDS OPERATING CHARACTERISTICS AT 25°C AMBIENT						
CHARACTERISTICS	COLOR	MIN	TYP	MAX	UNITS	TEST CONDITIONS
FORWARD VOLTAGE	YELLOW		2.1	2.8	V	$I_f = 20 \text{ mA}$
PEAK WAVELENGTH	YELLOW		585		nm	
	GREEN		565			
LUMINOUS INTENSITY	YELLOW	2.5	4.3		mcd	$I_f = 10 \text{ mA}$
	GREEN	2.5	6.3			



BI-COLOR LED

CHART 4



BI-COLOR LED



ATTENTION:
OBSERVE PRECAUTIONS FOR
HANDLING ELECTROSTATIC
SENSITIVE DEVICES

NOTES:

- DIALIGHT PART NUMBER: 569-XXIX-X00
- "#" ATTENTION: OBSERVE PRECAUTIONS FOR HANDLING ELECTROSTATIC SENSITIVE DEVICES.

THIS DRAWING AND THE CONTENTS HEREIN ARE CONFIDENTIAL AND THE SOLE PROPERTY OF DIALIGHT. REPRODUCTION OF THIS DRAWING OR CONSTRUCTION OF ANY PARTS WITHIN THIS DRAWING ARE FORBIDDEN WITHOUT THE WRITTEN CONSENT OF DIALIGHT.		
SCALE: DRAWING SCALE ALL DIM'S IN: INCHES (MM)	DRAWING NUMBER C-16285	REV C
TOLERANCES: UNLESS OTHERWISE SPECIFIED FRACTIONS: ±1/64 DECIMALS (.XX): ±.01 DECIMALS (.XXX): ±.005 DECIMALS (.XXXX): ±.0005 ANGLES: ±1°	TITLE BI-LEVEL CBI	
FINISH:	MATERIAL	
FSCM 83330	Dialight 1501 ROUTE 34 SOUTH FARMINGDALE, NJ 07727	
	SHEET 1 OF 1	FAMILY TABLE: