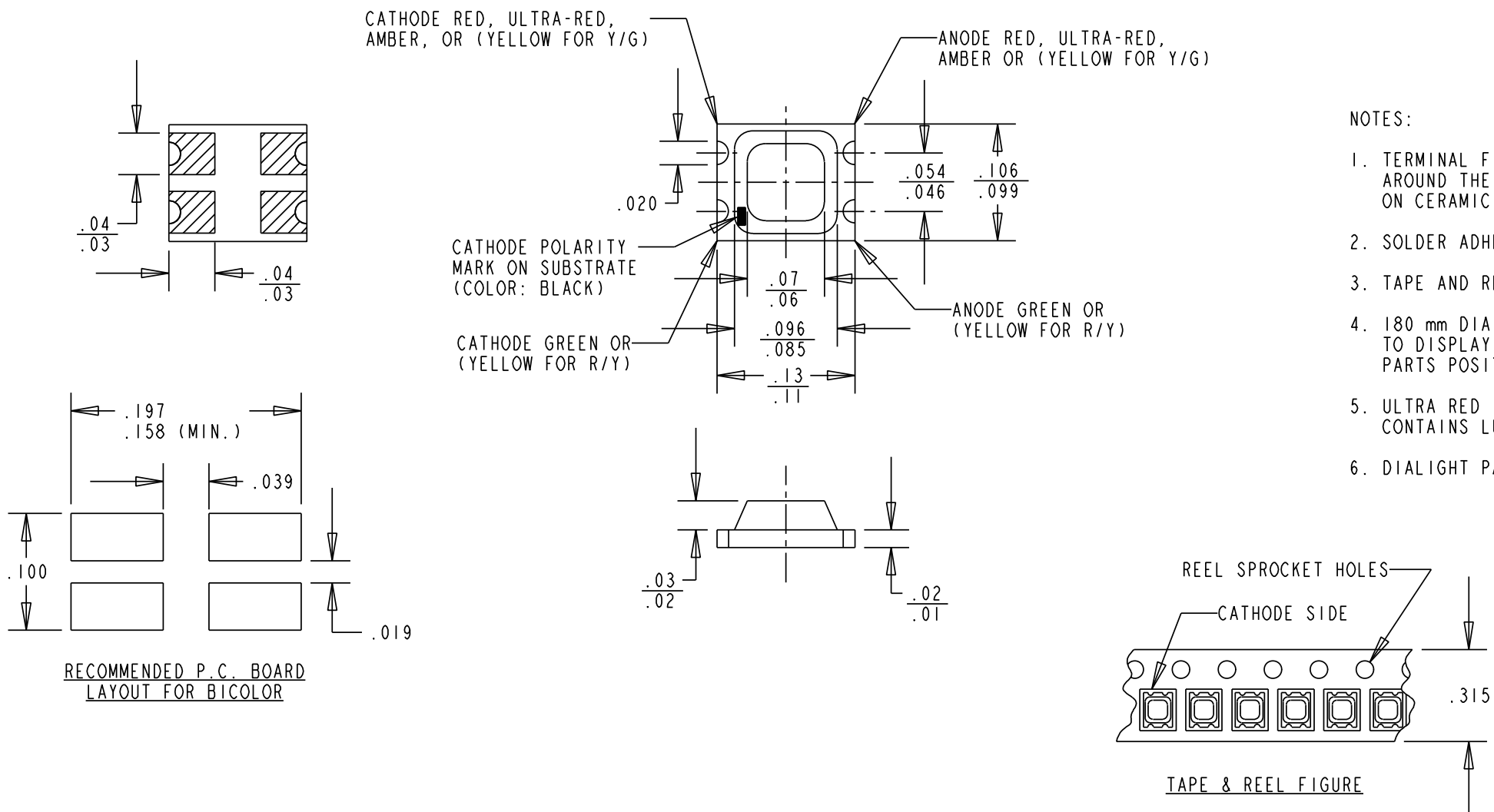


OPERATING CHARACTERISTICS AT 25 °C AMBIENT													
COLOR	I <sub>f</sub> (mA)	FORWARD VOLTAGE (V)		LUMINOUS INTENSITY (mcd)			REVERSE LEAKAGE CURRENT (μA)	REVERSE VOLTAGE (V)	DOMINANT WAVELENGTH (nm)			LIGHT EMISSION ANGLE (DEGREES)	LED CHIP
		TYP.	MAX.	MIN.	TYP.	MAX.	MAX.		MIN.	TYP.	MAX.		
RED	20	2.0	2.6	4.0	10.0	15.0	10	4	613	620	625	170	GaAsP
GREEN	20	2.0	2.6	6.0	12.0	22.0	10	4	562	565	572	170	GaP
YELLOW	20	2.1	2.8	3.0	6.0	10.0	10	4	580	585	588	160	GaAsP
AMBER	20	2.1	2.8	5.0	9.0	14.0	10	4	590	600	610	180	GaAsP
ULTRA RED	10	1.7	2.6	4.0	8.0	21.0	100	3	630	638	646	170	AlGaAs

REV	ECN NO	REVISIONS	DRN	CKD	APP	DATE
D	—	UPDATED LUMINOUS INTENSITY. ADDED DOMINANT WAVELENGTH.	YIS	JMC	Y.C.	2-21-03
E	—	ADDED PRE-SOLDER TIN (Sn 98%) SILVER (Ag 2%) TO TERMINAL FINISH	TWC	AV	N.O.	9-1-05
F	—	DRAWING CORRECTION-Sn 96.5% WAS 98%; Ag 3.5% WAS 2%; UPDATED ELECTRICAL SPECS	TWC			




NOTES:

1. TERMINAL FINISH: TIN (Sn 96.5%), SILVER (Ag 3.5%) PRE-SOLDER APPLIED PARTIALLY AROUND THE SILVER-PALLADIUM THICK FILM PRINTED TERMINALS THAT IS FIRED ON CERAMIC BODY.
2. SOLDER ADHERANCE: EACH PAD PER MIL-STD-202E, METHOD 208C.
3. TAPE AND REEL AS PER EIA STANDARD 481-1, WITH CATHODE TOWARD SPROCKET.
4. 180 mm DIA. REEL, 8 mm TAPE, 3000/REEL. PACKAGING TO DISPLAY DIALIGHT LABEL WITH DATE CODE, QTY, & P/N. PARTS POSITIONED WITH 4 mm PITCH ON REELS.
5. ULTRA RED (AlGaAs) TAPE & REELED PRODUCT LABEL ALSO CONTAINS LUMINOUS INTENSITY RANK CLASSIFICATION (I, J, K, L).
6. DIALIGHT PART NUMBER: 597-(7701, 7721, & 7731)-107.

DIALIGHT P/N:	COLOR	REVISIONS	
		REV.	ECN
597-7701-107	RED GREEN	E	—
597-7721-107	YELLOW GREEN	F	—
597-7731-107	RED YELLOW	D	—

ABSOLUTE MAXIMUM RATING AT 25 °C AMBIENT	RED	GREEN	YELLOW	AMBER	ULTRA RED	UNITS
POWER DISSIPATION	65	65	70	80	45	mW
CONTINUOUS FORWARD CURRENT	25			15		mA
PEAK FORWARD CURRENT (10% DUTY CYCLE T <sub>w</sub> = 1 msec)	100			60		mA
DERATE LINEAR FROM 25 °C	.33			.13		mA/°C
REVERSE VOLTAGE	4			3		V
OPERATING TEMPERATURE	-30 TO +75					°C
STORAGE TEMPERATURE	-30 TO +85					°C
REFLOW SOLDERING TEMPERATURE (@ < 10 SEC)	240 TO 260					°C
IRON SOLDERING TEMPERATURE (@ < 5 SEC)	280 TO 320					°C

THIS DRAWING AND THE CONTENTS HEREIN ARE CONFIDENTIAL AND THE SOLE PROPERTY OF DIALIGHT. REPRODUCTION OF THIS DRAWING OR CONSTRUCTION OF ANY PARTS WITHIN THIS DRAWING ARE FORBIDDEN WITHOUT THE WRITTEN CONSENT OF DIALIGHT.

SCALE: DRAWING SCALE ALL DIM'S IN: INCHES (MM)	DRAWING NUMBER C-15851	REV F
TOLERANCES: UNLESS OTHERWISE SPECIFIED FRACTIONS: ±1/64 DECIMALS (.XX): ±.01 DECIMALS (.XXX): ±.005 DECIMALS (.XXXX): ±.0005 ANGLES: ±1°	TITLE BICOLOR SMT LED	
FINISH:	MATERIAL	
FSCM 83330	 1501 ROUTE 34 SOUTH FARMINGDALE, NJ 07727	
SHEET 1 OF 1		FAMILY TABLE: