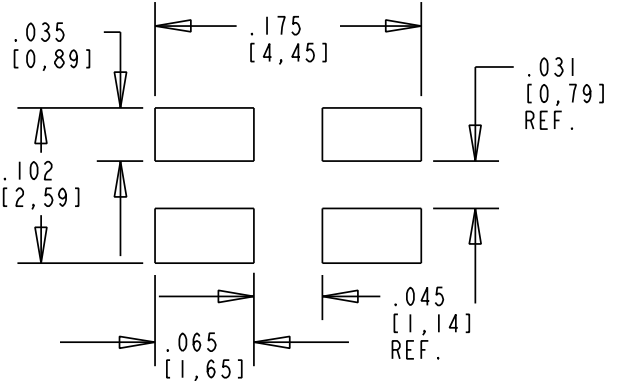
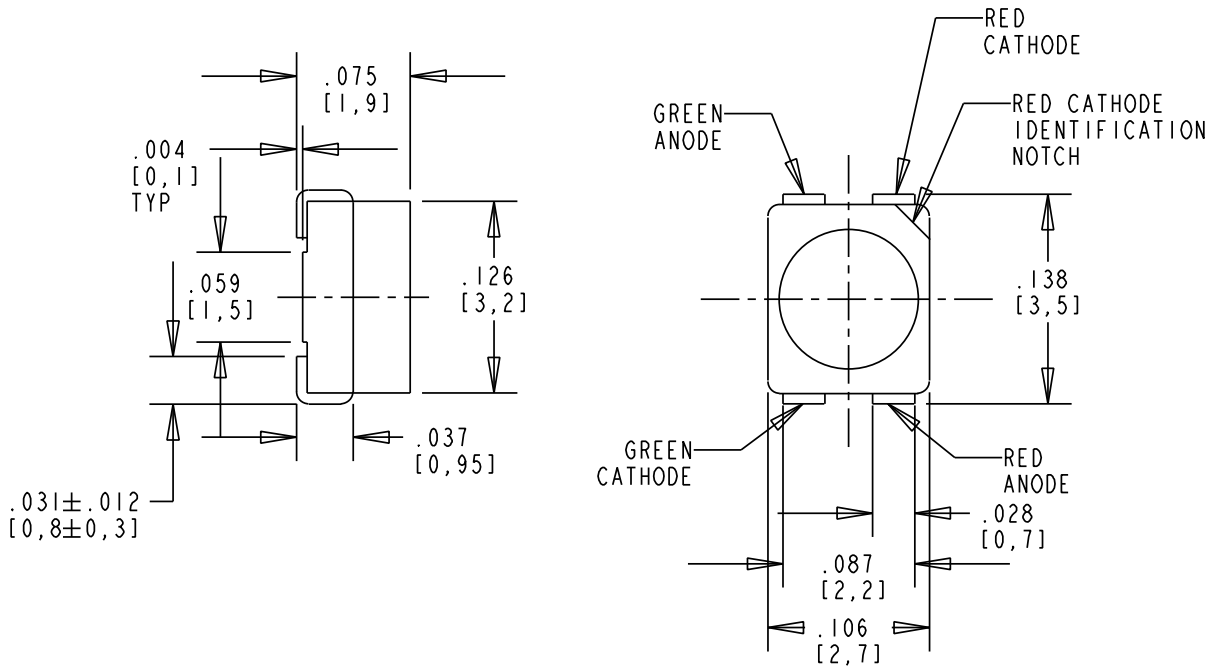


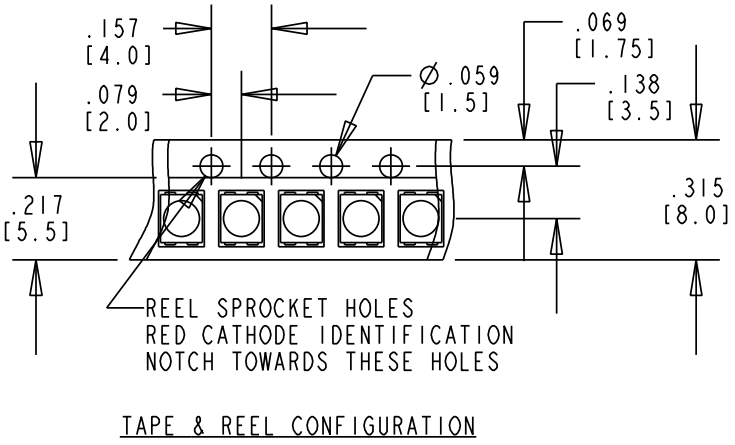
BI-COLOR OPERATING CHARACTERISTICS AT T <sub>a</sub> = 25 °C AMBIENT																		
DIALIGHT P/N	COLOR	I <sub>F</sub> (mA)	FORWARD VOLTAGE (V)		LUMINOUS INTENSITY (mcd)			REVERSE CURRENT (μA)		PEAK WAVELENGTH (nm)		DOMINANT WAVELENGTH (nm)			REVISIONS			
			TYP.	MAX.	MIN.	TYP.	MAX.	TYP.	MAX.	TYP.	MAX.	TYP.	MIN.	TYP.	MAX.	REV.	ECN.	DRN.
597-7701-202	SUPER RED GREEN	10	2.0	2.5	4.5	11.3	18.0	.01	10	635	622	628	634	E	—	YIS	2-19-03	
597-7701-207	SUPER RED GREEN	10	2.0	2.5	4.5	11.3	18.0	.01	10	635	622	628	634	E	—	YIS	2-19-03	

REV.	ECN NO.	REVISIONS	DRN.	CKD.	APP.	DATE
A	—	NEW RELEASE	TC	D.C	N.O.	7-19-99
B	—	UPDATED LED SPEC.	YIS			



- NOTE:
1. EPOXY COLOR: WATER CLEAR.
  2. DIE: GaP FOR GREEN AND GaAsP/GaP FOR RED.
  3. LEADS: SOLDER PLATED.
  4. SOLDER ADHERANCE: BOTH LEADS PER MIL-STD-202E, METHOD 208C.
  5. PART TAPED AND REELED PER EIA-RS-481-1.
  6. SUFFIX -202 FOR 20 PCS ON A SAMPLE TAPE STRIP.
  7. SUFFIX -207 FOR 7" DIAMETER REEL, PACKAGED 1500 PCS PER REEL.
  8. LABELING FOR REEL AND OUTSIDE OF ALUMINUM FOIL BAG: DIALIGHT P/N, R/G BICOLOR, QUANTITY PER REEL, DATE CODE, INTENSITY BIN CODE, LOT NUMBER AND COUNTRY OF ORIGIN.
  9. DIALIGHT P/N: 597-7701-202, 597-7701-207.
  10. TAPE AND REEL LEDS MAY REQUIRE RE-TAPING AFTER TWELVE MONTHS.

ABSOLUTE MAXIMUM RATING AT 25°C AMBIENT	597-7701-XXX		UNITS
	202 SUPER RED GREEN	207 SUPER RED GREEN	
POWER CONSUMPTION	95		mW
CONTINUOUS FORWARD CURRENT	30		mA
REVERSE VOLTAGE	5		V
OPERATING TEMPERATURE	-40 TO +100		°C
STORAGE TEMPERATURE			



THIS DRAWING AND THE CONTENTS HEREIN ARE CONFIDENTIAL AND THE SOLE PROPERTY OF DIALIGHT. REPRODUCTION OF THIS DRAWING OR CONSTRUCTION OF ANY PARTS WITHIN THIS DRAWING ARE FORBIDDEN WITHOUT THE WRITTEN CONSENT OF DIALIGHT.		
SCALE NONE	DRAWING NUMBER	REV
ALL DIM'S IN: INCHES (MM)	C-16568	B
TOLERANCES: UNLESS OTHERWISE SPECIFIED	TITLE R/G BI-COLOR	
FRACTIONS: ±1/64	MATERIAL	
DECIMALS (.XX): ±.01	Dialight	
DECIMALS (.XXX): ±.008	1501 ROUTE 34 SOUTH FARMINGDALE, NJ 07727	
ANGLES: ±1°	FSCM 83330	SHEET OF FAMILY TABLE:
FINISH:		