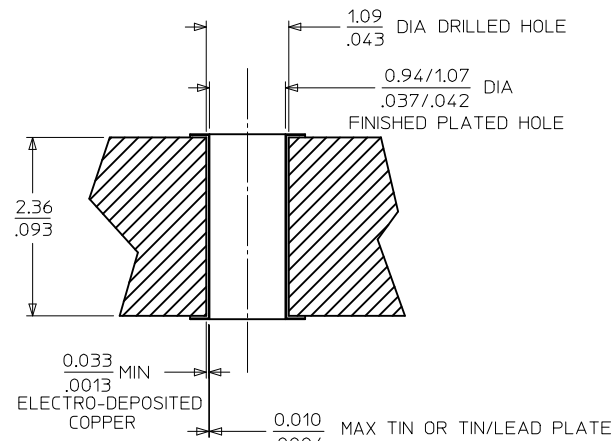
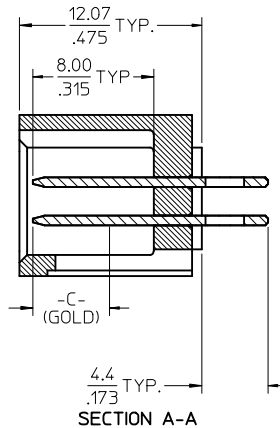
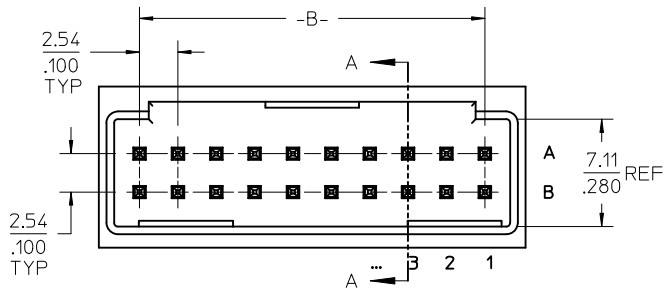
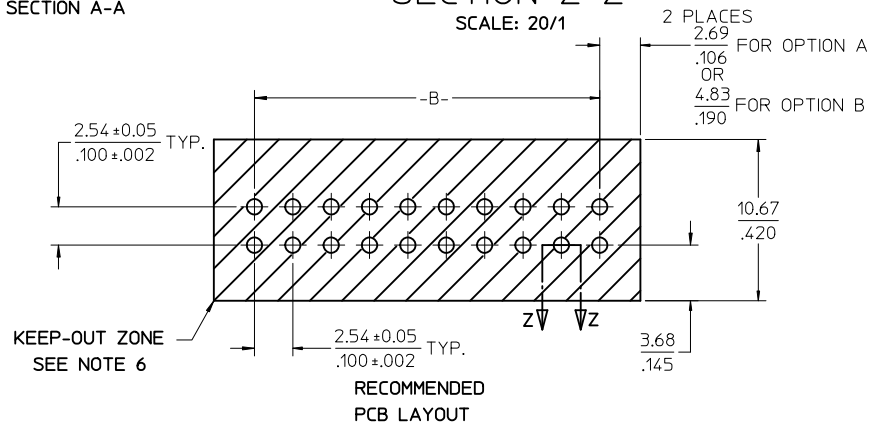


OPTION "A"



SECTION Z-Z  
SCALE: 20/1



- NOTES:
- MATERIAL:  
INSULATOR: GLASS FILLED LIQUID CYRSTAL POLYMER, UL94V-0,  
COLOR - BLACK.  
TERMINAL: COPPER ALLOY.
  - FINISH:  
TERMINAL PLATING:  
\*1\* - SELECT GOLD: 30 MICROINCHES/(0.76 MICROMETERS) MINIMUM.  
SELECT TIN/LEAD 100 MICROINCHES/(2.54 MICROMETERS) MINIMUM.  
BOTH OVER NICKEL.\*  
\*2\* - SELECT GOLD: 15 MICROINCHES/(0.38 MICROMETERS) MINIMUM.  
SELECT TIN/LEAD 100 MICROINCHES/(2.54 MICROMETERS) MINIMUM.  
BOTH OVER NICKEL.\*  
\*3\* - TIN: 200 MICROINCHES/(5.08 MICROMETERS) MINIMUM OVER NICKEL.
  - PRODUCT SPECIFICATION: PS-75100-001.
  - PACKAGING SPECIFICATION: PK-70873-0018.
  - RECOMMENDED PCB THICKNESS: (2.36)/.093 MINIMUM.
  - NO FEATURES WHICH RISE ABOVE THE PCB SURFACE ALLOWED IN THIS AREA.

CIRCUIT SIZE	DIM -A-	DIM -B-
6	10.46/.412	5.08/.200
8	13.00/.512	7.62/.300
10	15.54/.612	10.16/.400
12	18.08/.712	12.70/.500
14	20.62/.812	15.24/.600
16	23.16/.912	17.78/.700
18	25.70/1.012	20.32/.800
20	28.24/1.112	22.86/.900
22	30.78/1.212	25.40/1.000
24	33.32/1.312	27.94/1.100
26	35.86/1.412	30.48/1.200
28	38.40/1.512	33.02/1.300
30	40.94/1.612	35.56/1.400
32	43.48/1.712	38.10/1.500
34	46.02/1.812	40.64/1.600
36	48.56/1.912	43.18/1.700
38	51.10/2.012	45.72/1.800
40	53.64/2.112	48.26/1.900
42	56.18/2.212	50.80/2.000
44	58.72/2.312	53.34/2.100
46	61.26/2.412	55.88/2.200
48	63.80/2.512	58.42/2.300
50	66.34/2.612	60.96/2.400
52	68.88/2.712	63.50/2.500
54	71.42/2.812	66.04/2.600
56	73.96/2.912	68.58/2.700
58	76.50/3.012	71.12/2.800
60	79.04/3.112	73.66/2.900
62	81.58/3.212	76.20/3.000
64	84.12/3.312	78.74/3.100
66	86.66/3.412	81.28/3.200
68	89.20/3.512	83.82/3.300
70	91.74/3.612	86.36/3.400
72	94.28/3.712	88.90/3.500

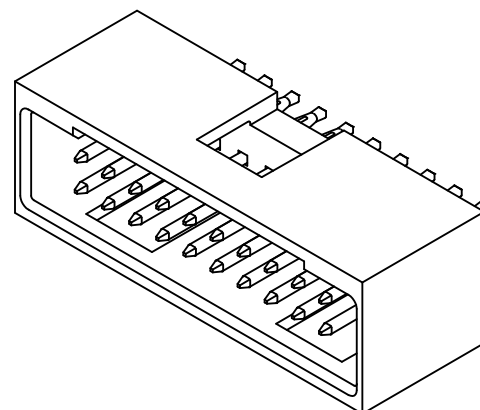
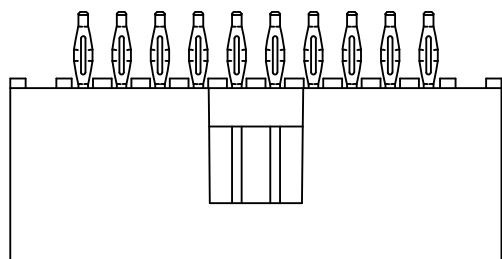
GENERAL DOC	3-4	G
ANNOTATOR	1-2	G
SOFTWARE	SHEET	REV

CHANGE HSG MATERIAL EC NO: UCP2009-1875 DRINKINS BARRA 2009/09/25 CHKD:DMORGAN 2009/12/01 APPR:SMILLER 2009/12/01	DESCRIPTION	REV
▽=0		
▽=0		
G		

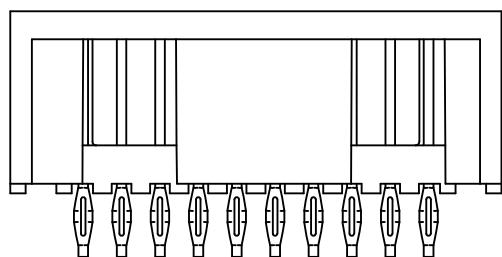
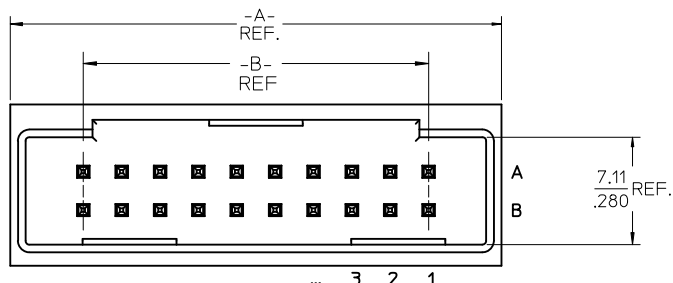
QUALITY SYMBOLS	GENERAL TOLERANCES (UNLESS SPECIFIED)
	mm INCH
	4 PLACES ± --- ± ---
	3 PLACES ± --- ± .010
	2 PLACES ± 0.25 ± ---
	1 PLACE ± --- ± ---
	ANGULAR ±1/2°
	DRAFT WHERE APPLICABLE MUST REMAIN WITHIN DIMENSIONS

DIMENSION STYLE		SCALE	DESIGN UNITS	THIRD ANGLE PROJECTION
MM/IN		4:1	INCH	
DRAWN BY	DATE	TITLE		
MARGULIS	04/01/02	.100 SHROUDED HEADER WITH COMPLIANT PIN TERMINALS		
CHECKED BY	DATE	MOLEX INCORPORATED		
MARGULIS	04/01/02	SD-75101-001		
APPROVED BY	DATE	SHEET NO.		
FRY	04/01/02	1 OF 2		
MATERIAL NO.	DOCUMENT NO.	THIS DRAWING CONTAINS INFORMATION THAT IS PROPRIETARY TO MOLEX INCORPORATED AND SHOULD NOT BE USED WITHOUT WRITTEN PERMISSION		
SEE TABLE				

# OPTION "B"



ISOMETRIC VIEW  
(NOT TO SCALE)



CIRCUIT SIZE	DIM -A-	DIM -B-
06	14.74/580	5.08/200
08	17.28/680	7.62/300
10	19.82/780	10.16/400
12	22.36/880	12.70/500
14	24.90/980	15.24/600
16	27.44/1080	17.78/700
18	29.98/1180	20.32/800
20	32.52/1280	22.86/900
22	35.06/1380	25.40/1000
24	37.60/1480	27.94/1100
26	40.14/1580	30.48/1200
28	42.68/1680	33.02/1300
30	45.22/1780	35.56/1400
32	47.76/1880	38.10/1500
34	50.30/1980	40.64/1600
36	52.84/2080	43.18/1700
38	55.38/2180	45.72/1800
40	57.92/2280	48.26/1900
42	60.46/2380	50.80/2000
44	63.00/2480	53.34/2100
46	65.54/2580	55.88/2200
48	68.08/2680	58.42/2300
50	70.62/2780	60.96/2400
52	73.16/2880	63.50/2500
54	75.70/2980	66.04/2600
56	78.24/3080	68.58/2700
58	80.78/3180	71.12/2800
60	83.32/3280	73.66/2900
62	85.86/3380	76.20/3000
64	88.40/3480	78.74/3100
66	90.94/3580	81.28/3200
68	93.48/3680	83.82/3300
70	96.02/3780	86.36/3400
72	98.56/3880	88.90/3500

SEE SHEET 1 EC NO: UCP2009-1875 DRWINHS IBARRA 2009/09/25 CHYKD J MORGAN 2009/12/01 APPR: SMILLER 2009/12/01	QUALITY SYMBOLS	GENERAL TOLERANCES (UNLESS SPECIFIED)		DIMENSION STYLE		SCALE	DESIGN UNITS	THIRD ANGLE PROJECTION	
	▽=0 ▽=0	mm	INCH	MM/IN		4:1	INCH		
		4 PLACES ± --- ± ---	3 PLACES ± --- ± .010	DRAWN BY	DATE	TITLE			
		2 PLACES ± 0.25 ± ---	1 PLACE ± --- ± ---	MARGULIS	04/01/02	.100 SHROUDED HEADER WITH COMPLIANT PIN TERMINALS			
	ANGULAR ± 1/2°		DRAFT WHERE APPLICABLE MUST REMAIN WITHIN DIMENSIONS		APPROVED BY		DATE		MOLEX INCORPORATED SD-75101-001
	SEE TABLE		MATERIAL NO.		DATE		DOCUMENT NO.		
	SIZE		THIS DRAWING CONTAINS INFORMATION THAT IS PROPRIETARY TO MOLEX INCORPORATED AND SHOULD NOT BE USED WITHOUT WRITTEN PERMISSION		FRY		04/01/02		SHEET NO. 2 OF 2

## C-GRID 100 HEADER SHROUDED COMPLIANT PINS

PLATING:	1 – 30 GOLD
GOLD AREA DIM C:	5.08/. 200
VOID CKT:	NONE
PACKAGING:	PK-70873-0018

CKT	MATERIAL NO.	CKT	MATERIAL NO.
06	75101-0001	42	75101-0019
08	75101-0002	44	75101-0020
10	75101-0003	46	75101-0021
12	75101-0004	48	75101-0022
14	75101-0005	50	75101-0023
16	75101-0006	52	75101-0024
18	75101-0007	54	75101-0025
20	75101-0008	56	75101-0026
22	75101-0009	58	75101-0027
24	75101-0010	60	75101-0028
26	75101-0011	62	75101-0029
28	75101-0012	64	75101-0030
30	75101-0013	66	75101-0031
32	75101-0014	68	75101-0032
34	75101-0015	70	75101-0033
36	75101-0016	72	75101-0034
38	75101-0017	--	--
40	75101-0018	--	--

PLATING:	2 – 15 GOLD
GOLD AREA DIM C:	5.08/. 200
VOID CKT:	NONE
PACKAGING:	PK-70873-0018

CKT	MATERIAL NO.	CKT	MATERIAL NO.
06	75101-0137	42	75101-0155
08	75101-0138	44	75101-0156
10	75101-0139	46	75101-0157
12	75101-0140	48	75101-0158
14	75101-0141	50	75101-0159
16	75101-0142	52	75101-0160
18	75101-0143	54	75101-0161
20	75101-0144	56	75101-0162
22	75101-0145	58	75101-0163
24	75101-0146	60	75101-0164
26	75101-0147	62	75101-0165
28	75101-0148	64	75101-0166
30	75101-0149	66	75101-0167
32	75101-0150	68	75101-0168
34	75101-0151	70	75101-0169
36	75101-0152	72	75101-0170
38	75101-0153	--	--
40	75101-0154	--	--

PLATING:	3 – TIN
GOLD AREA DIM C:	N/A
VOID CKT:	NONE
PACKAGING:	PK-70873-0018

CKT	MATERIAL NO.	CKT	MATERIAL NO.
06	75101-0171	42	75101-0189
08	75101-0172	44	75101-0190
10	75101-0173	46	75101-0191
12	75101-0174	48	75101-0192
14	75101-0175	50	75101-0193
16	75101-0176	52	75101-0194
18	75101-0177	54	75101-0195
20	75101-0178	56	75101-0196
22	75101-0179	58	75101-0197
24	75101-0180	60	75101-0198
26	75101-0181	62	75101-0199
28	75101-0182	64	75101-0200
30	75101-0183	66	75101-0201
32	75101-0184	68	75101-0202
34	75101-0185	70	75101-0203
36	75101-0186	72	75101-0204
38	75101-0187	--	--
40	75101-0188	--	--

### OPTION "A"

**NOTE: SHEETS 1-2 ARE ANNOTATOR DOCUMENTS**

REV: <b>G</b>	SEE SHT 1 EC No: UCP2009-1875	TITLE: <b>.100 SHROUDED HEADER WITH COMPLIANT PIN TERMINALS</b>	SHEET No. <b>3 -</b>
DOCUMENT NUMBER: <b>SD- 75101-001</b>	CREATED / REVISED BY: <b>SAMIEC/MIBARRA</b>	CHECKED BY: <b>DMORGAN</b>	APPROVED BY: <b>SMILLER</b>

## C-GRID 100 HEADER SHROUDED COMPLIANT PINS

PLATING:	1 – 30 GOLD
GOLD AREA DIM C:	5.08/. 200
VOID CKT:	NONE
PACKAGING:	PK-70873-0018

CKT	MATERIAL NO.	CKT	MATERIAL NO.
06	75101-0035	42	75101-0053
08	75101-0036	44	75101-0054
10	75101-0037	46	75101-0055
12	75101-0038	48	75101-0056
14	75101-0039	50	75101-0057
16	75101-0040	52	75101-0058
18	75101-0041	54	75101-0059
20	75101-0042	56	75101-0060
22	75101-0043	58	75101-0061
24	75101-0044	60	75101-0062
26	75101-0045	62	75101-0063
28	75101-0046	64	75101-0064
30	75101-0047	66	75101-0065
32	75101-0048	68	75101-0066
34	75101-0049	70	75101-0067
36	75101-0050	72	75101-0068
38	75101-0051	--	--
40	75101-0052	--	--

PLATING:	2 – 15 GOLD
GOLD AREA DIM C:	5.08/. 200
VOID CKT:	NONE
PACKAGING:	PK-70873-0018

CKT	MATERIAL NO.	CKT	MATERIAL NO.
06	75101-0205	42	75101-0223
08	75101-0206	44	75101-0224
10	75101-0207	46	75101-0225
12	75101-0208	48	75101-0226
14	75101-0209	50	75101-0227
16	75101-0210	52	75101-0228
18	75101-0211	54	75101-0229
20	75101-0212	56	75101-0230
22	75101-0213	58	75101-0231
24	75101-0214	60	75101-0232
26	75101-0215	62	75101-0233
28	75101-0216	64	75101-0234
30	75101-0217	66	75101-0235
32	75101-0218	68	75101-0236
34	75101-0219	70	75101-0237
36	75101-0220	72	75101-0238
38	75101-0221	--	--
40	75101-0222	--	--

PLATING:	3 – TIN
GOLD AREA DIM C:	N/A
VOID CKT:	NONE
PACKAGING:	PK-70873-0018

CKT	MATERIAL NO.	CKT	MATERIAL NO.
06	75101-0239	42	75101-0257
08	75101-0240	44	75101-0258
10	75101-0241	46	75101-0259
12	75101-0242	48	75101-0260
14	75101-0243	50	75101-0261
16	75101-0244	52	75101-0262
18	75101-0245	54	75101-0263
20	75101-0246	56	75101-0264
22	75101-0247	58	75101-0265
24	75101-0248	60	75101-0266
26	75101-0249	62	75101-0267
28	75101-0250	64	75101-0268
30	75101-0251	66	75101-0269
32	75101-0252	68	75101-0270
34	75101-0253	70	75101-0271
36	75101-0254	72	75101-0272
38	75101-0255	--	--
40	75101-0256	--	--

## OPTION "B"

REV: <b>G</b>	SEE SHT 1 EC No: UCP2009-1875	TITLE: <b>.100 SHROUDED HEADER WITH COMPLIANT PIN TERMINALS</b>	SHEET No. <b>4 -</b>
DOCUMENT NUMBER: <b>SD- 75101-001</b>	CREATED / REVISED BY: <b>SAMIEC/MIBARRA</b>	CHECKED BY: <b>DMORGAN</b>	APPROVED BY: <b>SMILLER</b>