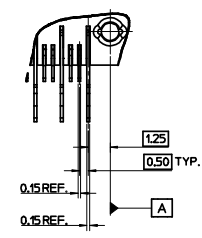
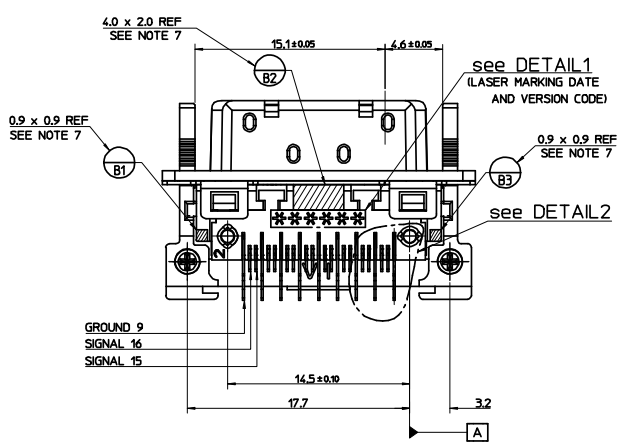
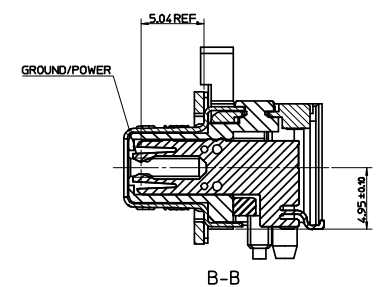
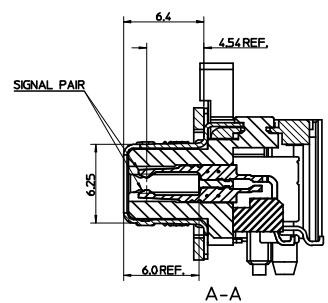
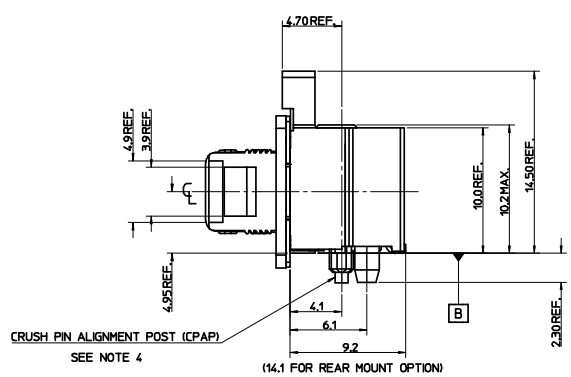
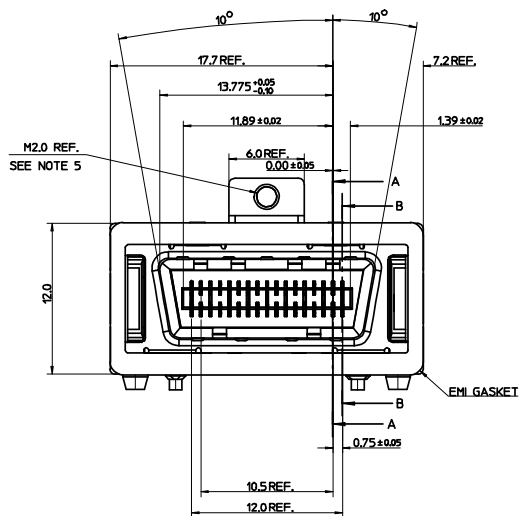
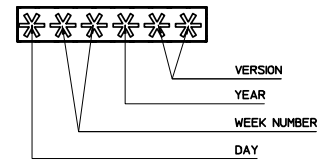


DETAIL2  
Scale 7:1



DETAIL1  
Scale 10:1

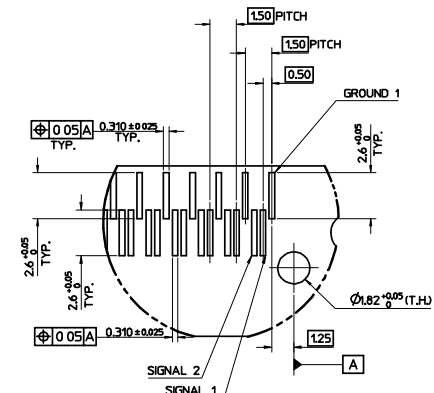
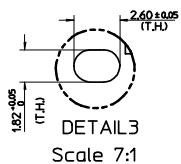
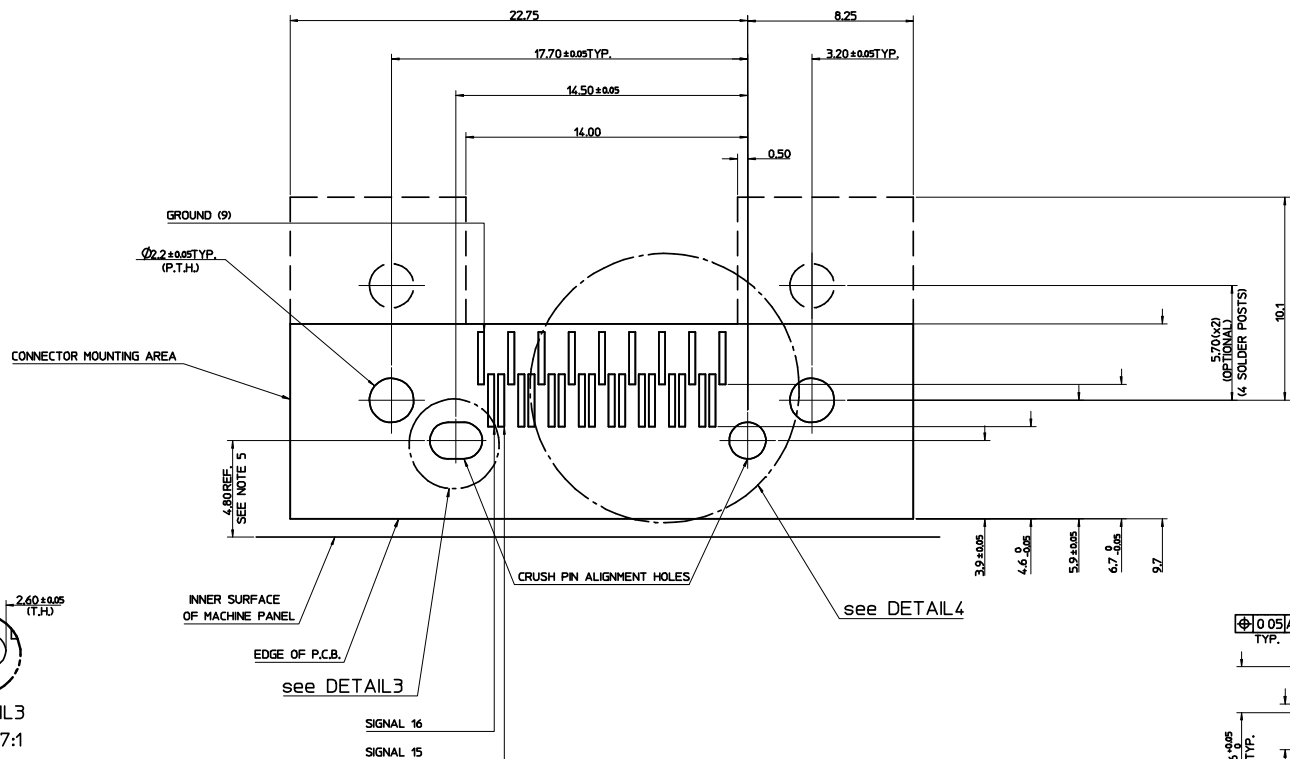


NOTES:

1. PRODUCT SPECIFICATION PS-91525-001
2. PACKAGING SPECIFICATION PK-91525-002 (TRAY) AND PK-91525-004 (TAPE AND REEL)
3. SCREW THREAD M2.0 X 0.4 PITCH TAPPED THROUGH. RECOMMENDED SCREW M2 X 0.4 PITCH, LENGTH 8mm. WITH A PAN HEAD, RECOMMENDED TORQUE 0.3Nm.
4. CPAP USED TO ALIGN THE SOLDER TAILS WITH THE PCB SOLDER PADS.
5. SCREW THREAD M2.0 X 0.4 PITCH TAPPED THROUGH. RECOMMENDED SCREW M2 X 0.4 PITCH, LENGTH 5mm, WITH A PAN HEAD, RECOMMENDED TORQUE 0.3Nm.
6. RECEPTACLE CONTACTS 127um MIN NICKEL ALL OVER CONTACT AREA 0.10um MIN GOLD OVER 0.76um MIN PALLADIUM NICKEL SMT AREA 3um MIN TIN.
7. PCB DATUM B = B1 + B2 + B3
8. PICK AND PLACE AREA FOR VACUUM PICK UP.
9. FOR 12X PARTS PLEASE REFER TO SD-91525-004.

MOD TO SUB HOUSING EC NO: E2008-0258 D DRINKLIERMAN CHKD: 2008/05/02 APPR: BMAGUIRE 2008/05/06	QUALITY SYMBOLS	GENERAL TOLERANCES (UNLESS SPECIFIED)		DIMENSION STYLE		SCALE	DESIGN UNITS	THIRD ANGLE PROJECTION
	$\nabla=0$	mm	INCH	MM ONLY		5:1	METRIC	
	$\nabla=0$	4 PLACES $\pm$ --- $\pm$ ---	3 PLACES $\pm$ --- $\pm$ ---	2 PLACES $\pm 0.1$ $\pm$ ---	1 PLACE $\pm 0.2$ $\pm$ ---	DRAWN BY DWALSH 11/11/04	DATE 11/11/04	TITLE LANELINK F CONN 4X LATCH VERSION WITH EMI SHIELD OPTION
		ANGULAR $\pm 2^\circ$		APPROVED BY JWALLACE 25/11/04		DATE 25/11/04		MOLEX INCORPORATED
	DRAFT WHERE APPLICABLE MUST REMAIN WITHIN DIMENSIONS		MATERIAL NO. SEE SHEET 4		DOCUMENT NO. SD-91804-001		SHEET NO. 1 OF 4	
	THIS DRAWING CONTAINS INFORMATION THAT IS PROPRIETARY TO MOLEX INCORPORATED AND SHOULD NOT BE USED WITHOUT WRITTEN PERMISSION							

RECOMMENDED PCB LAYOUT  
(SHOWING PCB REAR MOUNTING HOLES OPTION)

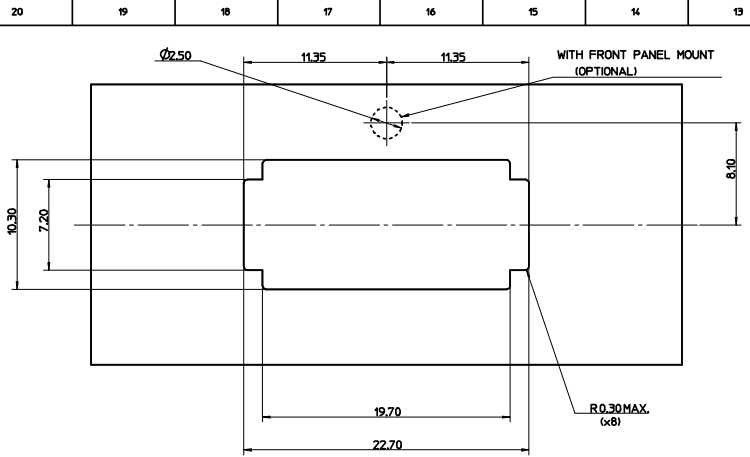


NOTES:

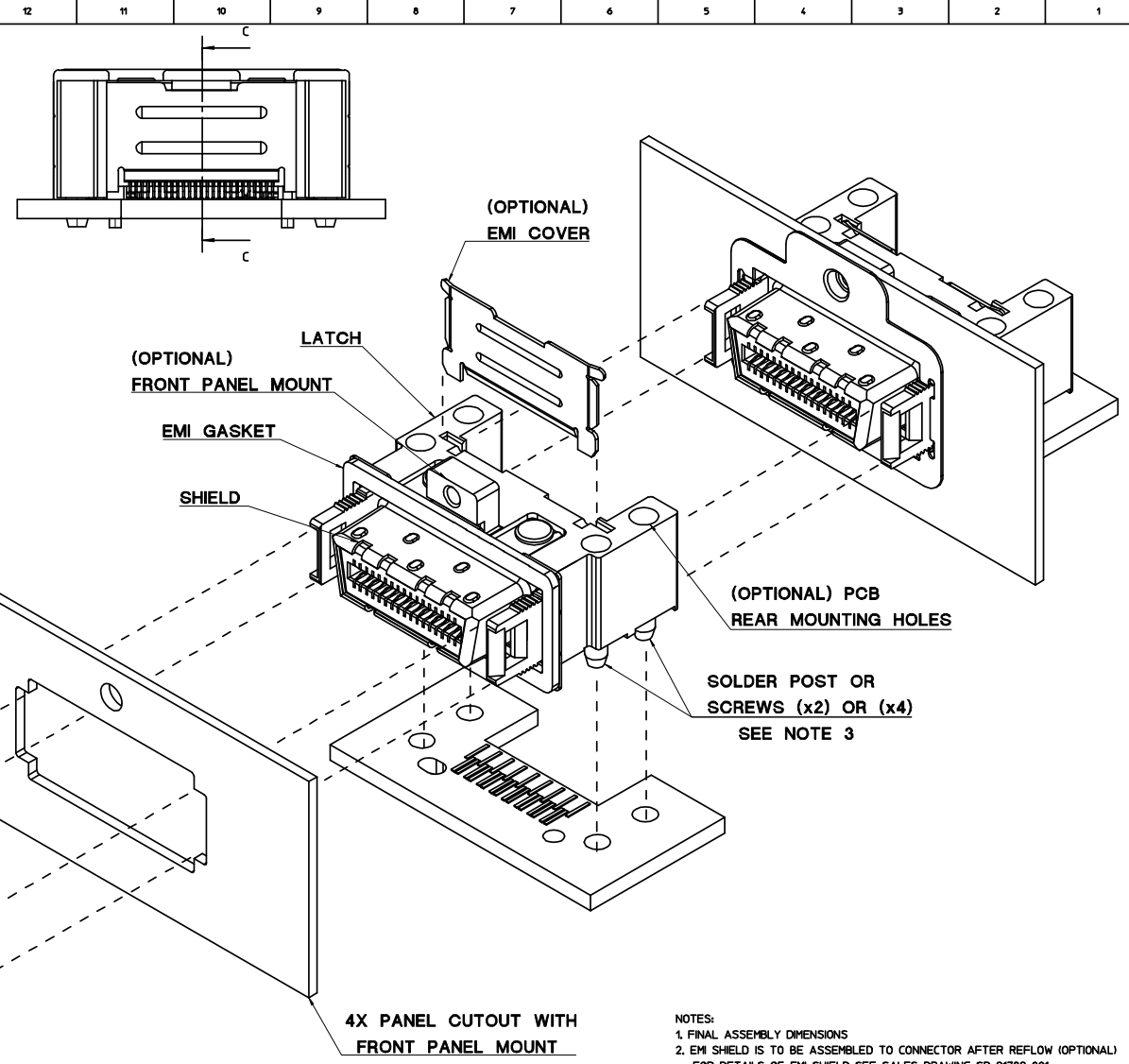
1. AREAS OUTLINED TO BE FREE OF COMPONENTS
2. ALL HOLE SIZES ARE FINISHED HOLE SIZES
3. FOR ANY UNSPECIFIED DIMENSIONS OR NOTES SEE SHEET 1
4. RANGE OF PCB THICKNESSES: 1.6 TO 2.1mm INCLUSIVE.  
LONGER SOLDER POSTS AVAILABLE FOR OTHER PCB THICKNESSES.  
FOR FURTHER INFORMATION PLEASE CONTACT LOCAL SALES OFFICE.
5. THE DESIGN CAN ACCOMMODATE DIFFERENT VALUES OF THIS DIMENSION  
BY VARYING THE EMI GASKET THICKNESS.

FOR FURTHER INFORMATION PLEASE CONTACT YOUR LOCAL SALES OFFICE

SEE SHEET 1 EC NO: E2008-0428 DRAWN BY: DWALSH CHKD: KDELANEY APPROVAL: J WALLACE	DESCRIPTION LANELINK F CONN 4X LATCH VERSION WITH EMI SHIELD OPTION	QUALITY SYMBOLS =0 =0		GENERAL TOLERANCES (UNLESS SPECIFIED)		DIMENSION STYLE MM ONLY		SCALE 8:1	DESIGN UNITS METRIC	THIRD ANGLE PROJECTION		
		mm	INCH	4 PLACES ± --- ± ---	3 PLACES ± --- ± ---	2 PLACES ± 0.1 ± ---	1 PLACE ± 0.2 ± ---	DRAWN BY DWALSH	DATE 11/11/04	CHECKED BY KDELANEY	DATE 18/11/04	TITLE LANELINK F CONN 4X LATCH VERSION WITH EMI SHIELD OPTION
ANGULAR ± 2°				DRAFT WHERE APPLICABLE MUST REMAIN WITHIN DIMENSIONS				APPROVED BY J WALLACE		DATE 25/11/04	MATERIAL NO. SEE SHEET 4	
								DOCUMENT NO. SD-91804-001		SHEET NO. 2 OF 4		
THIS DRAWING CONTAINS INFORMATION THAT IS PROPRIETARY TO MOLEX INCORPORATED AND SHOULD NOT BE USED WITHOUT WRITTEN PERMISSION												



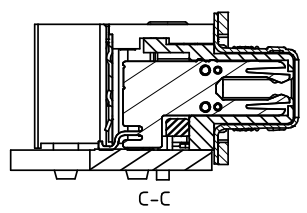
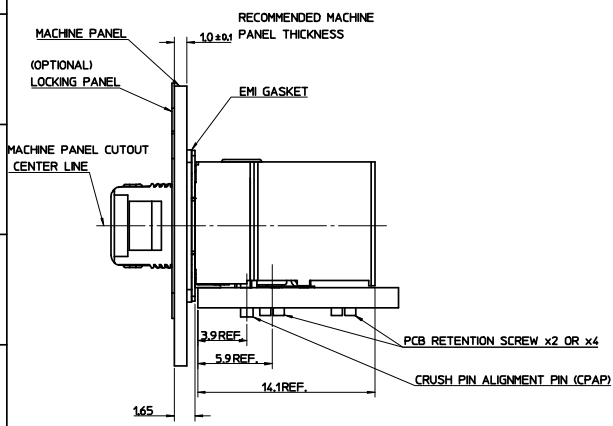
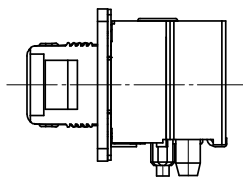
RECOMMENDED 4X PANEL CUTOUT



4X PANEL CUTOUT WITH FRONT PANEL MOUNT

- NOTES:
1. FINAL ASSEMBLY DIMENSIONS
  2. EMI SHIELD IS TO BE ASSEMBLED TO CONNECTOR AFTER REFLOW (OPTIONAL) FOR DETAILS OF EMI SHIELD SEE SALES DRAWING SD-91789-001
  3. PCB RETENTION OPTIONS:  
2 OR 4 SCREWS, (4 FOR REAR MOUNT OPTIONS)  
2 OR 4 SOLDER POSTS, (4 FOR REAR MOUNT OPTIONS)
  4. LOCKING PANEL (91532) ONE PER CONNECTOR ORDER SEPARATELY. SEE SALES DRAWING SD-91532-001

CONNECTOR WITHOUT OPTIONAL FEATURES



LOCKING PANEL WITH FRONT PANEL MOUNT (OPTIONAL)

SEE SHEET 1 ELEC NO: E2008-0428 DRAWN BY: DWALKERMAN CHKD: 2008/05/02 APPR: BMAGUIRE 2008/05/06	QUALITY SYMBOLS	GENERAL TOLERANCES (UNLESS SPECIFIED)	DIMENSION STYLE	SCALE	DESIGN UNITS	THIRD ANGLE PROJECTION
	$\nabla=0$ $\nabla=0$	mm    INCH 4 PLACES ± --- ± --- 3 PLACES ± --- ± --- 2 PLACES ± 0.1 ± --- 1 PLACE ± 0.2 ± --- ANGULAR ± 2°	MM ONLY	5:1	METRIC	
	DESCRIPTION	DRAFT WHERE APPLICABLE MUST REMAIN WITHIN DIMENSIONS	DRAWN BY: DWALSH CHECKED BY: KDELANEY APPROVED BY: JWALLACE DATE: 11/11/04 DATE: 18/11/04 DATE: 25/11/04	TITLE	LANELINK F CONN 4X LATCH VERSION WITH EMI SHIELD OPTION	
			MATERIAL NO.	DOCUMENT NO.	MOLEX INCORPORATED	
			SEE SHEET 4	SD-91804-001	SHEET NO.	3 OF 4
THIS DRAWING CONTAINS INFORMATION THAT IS PROPRIETARY TO MOLEX INCORPORATED AND SHOULD NOT BE USED WITHOUT WRITTEN PERMISSION						

20 19 18 17 16

15 14 13 12 11

10 9 8 7 6

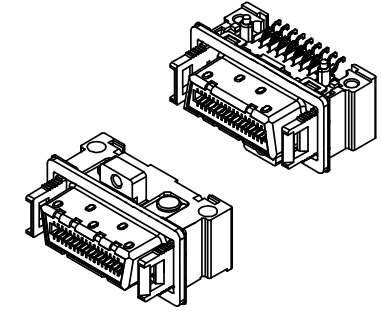
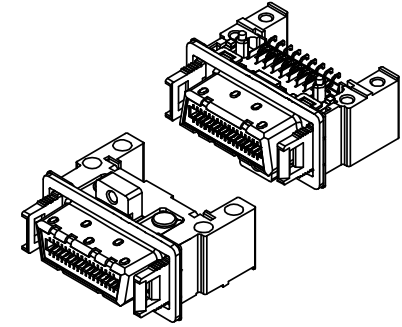
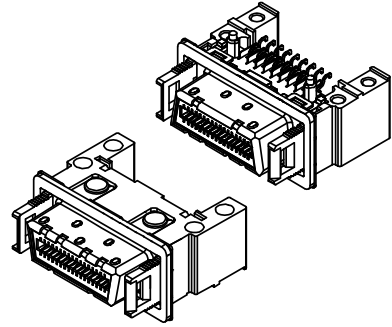
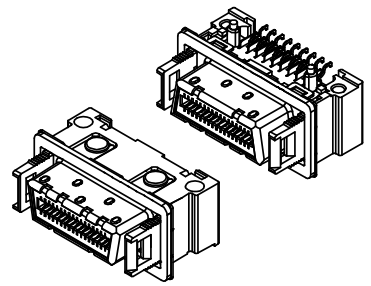
5 4 3 2 1

4X LATCH I/O	
REAR MOUNTS	NO
PANEL MOUNT	NO
SOLDER POSTS	NO

4X LATCH I/O	
REAR MOUNTS	YES
PANEL MOUNT	NO
SOLDER POSTS	NO

4X LATCH I/O	
REAR MOUNTS	YES
PANEL MOUNT	YES
SOLDER POSTS	NO

4X LATCH I/O	
REAR MOUNTS	NO
PANEL MOUNT	YES
SOLDER POSTS	NO



PART NO.	PACKAGING
91804-0410	TRAY
91804-8410	TAPE AND REEL

PART NO.	PACKAGING
91804-0412	TRAY
91804-8412	TAPE AND REEL

PART NO.	PACKAGING
91804-0414	TRAY
91804-8414	TAPE AND REEL

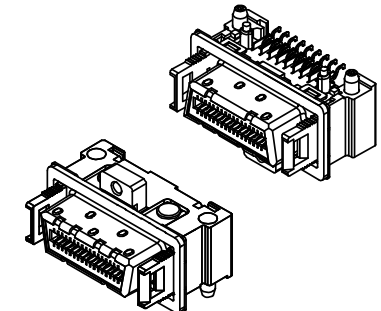
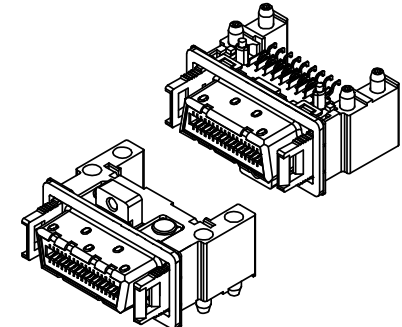
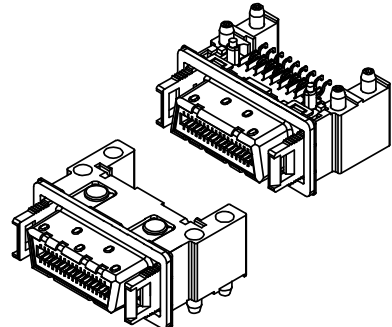
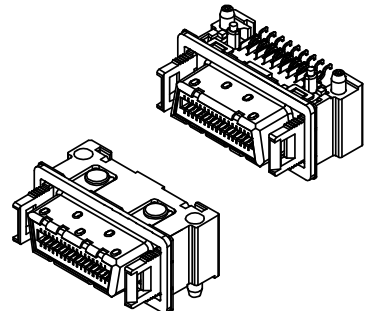
PART NO.	PACKAGING
91804-0416	TRAY
91804-8416	TAPE AND REEL

4X LATCH I/O	
REAR MOUNTS	NO
PANEL MOUNT	NO
SOLDER POSTS	2

4X LATCH I/O	
REAR MOUNTS	YES
PANEL MOUNT	NO
SOLDER POSTS	4

4X LATCH I/O	
REAR MOUNTS	YES
PANEL MOUNT	YES
SOLDER POSTS	4

4X LATCH I/O	
REAR MOUNTS	NO
PANEL MOUNT	YES
SOLDER POSTS	2



PART NO.	PACKAGING
91804-0450	TRAY
91804-8450	TAPE AND REEL

PART NO.	PACKAGING
91804-0452	TRAY
91804-8452	TAPE AND REEL

PART NO.	PACKAGING
91804-0454	TRAY
91804-8454	TAPE AND REEL

PART NO.	PACKAGING
91804-0456	TRAY
91804-8456	TAPE AND REEL

NOTES:  
 1. REFER TO SHEET 1 FOR ALL UNSPECIFIED DIMENSIONS  
 2. REFER TO SHEET 2 FOR PCB LAYOUT  
 3. REFER TO SHEET 3 FOR RECOMMENDED ASSEMBLY COMPONENTS AND DIMENSIONS  
 4. FOR 12X PARTS PLEASE REFER TO SD-91525-004.

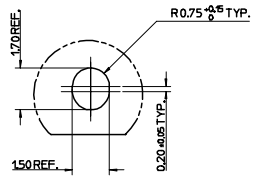
SEE SHEET 1  
 EC NO: E2008-0236  
 DRAWN BY: DRINKLIERMAN  
 CHKD: 2008/05/02  
 APPR: BMAGUIRE  
 2008/04/28  
 2008/05/02  
 2008/05/06

QUALITY SYMBOLS	▽=0	
	▽=0	
GENERAL TOLERANCES (UNLESS SPECIFIED)		
	mm	INCH
4 PLACES	± .1	± .004
3 PLACES	± .15	± .005
2 PLACES	± .2	± .008
1 PLACE	± .3	± .012
	ANGULAR ± 2°	
DRAFT WHERE APPLICABLE MUST REMAIN WITHIN DIMENSIONS		

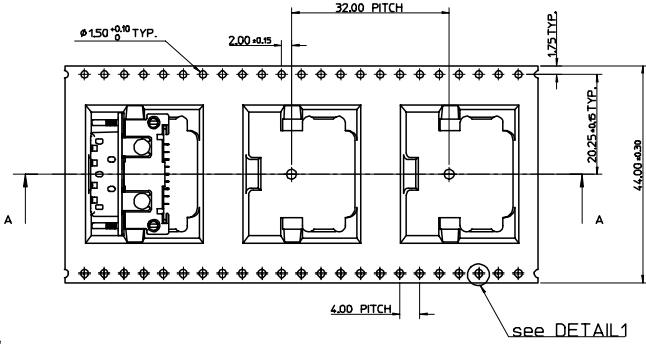
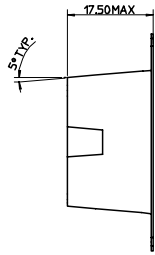
DIMENSION STYLE		MM ONLY	
DRAWN BY	DATE	TITLE	
DWALSH	11/11/04	LANELINK F CONN 4X LATCH VERSION WITH EMI SHIELD OPTION	
CHECKED BY	DATE		
KDELANEY	18/11/04		
APPROVED BY	DATE		
JWALLACE	25/11/04		
MATERIAL NO.	91804-44**		
DOCUMENT NO.	SD-91804-001		
THIS DRAWING CONTAINS INFORMATION THAT IS PROPRIETARY TO MOLEX INCORPORATED AND SHOULD NOT BE USED WITHOUT WRITTEN PERMISSION			

SCALE	3:1	DESIGN UNITS	METRIC	THIRD ANGLE PROJECTION
MOLEX INCORPORATED				SHEET NO. 4 OF 4

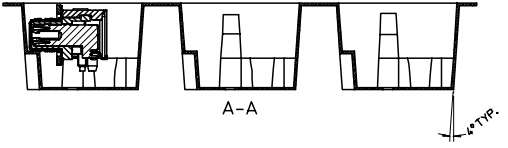
19 18 17 16 15 14 13 12 11 10 9 8 7 6 5 4 3 2 1



DETAIL1  
Scale 10:1

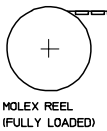


Part Number	Rear Mounts	Panel Mount	Pieces/Reel	Reel/ Carton
91804-8410	w/out	w/out	120	3
91804-8412	With	w/out	120	3
91804-8414	With	with	100	3
91804-8416	w/out	with	100	3
91804-8450	w/out	w/out	120	3
91804-8452	With	w/out	120	3
91804-8454	With	with	100	3
91804-8456	w/out	with	100	3
91804-8472	With	w/out	120	3
91804-8474	With	with	100	3
91804-8482	With	with	100	3

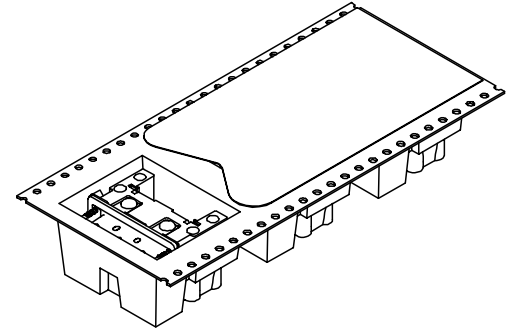


DIRECTION OF UNREELING →

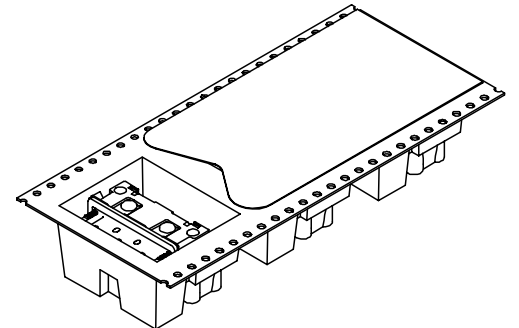
TO CUSTOMER ASSEMBLY MACHINE →



MOLEX REEL  
(FULLY LOADED)

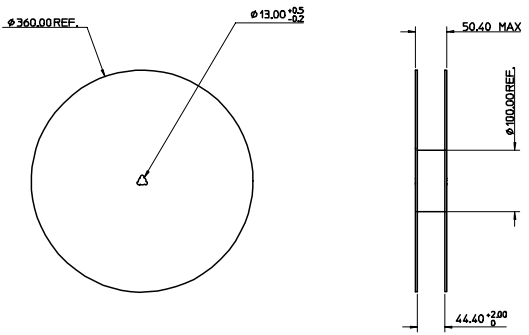


4X OPTION WITHOUT PANEL MOUNT, WITH REAR MOUNTS, 91804-8452



4X OPTION WITHOUT PANEL MOUNT, WITHOUT REAR MOUNTS, 91804-8450

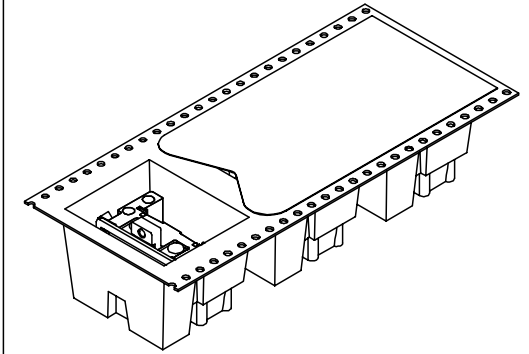
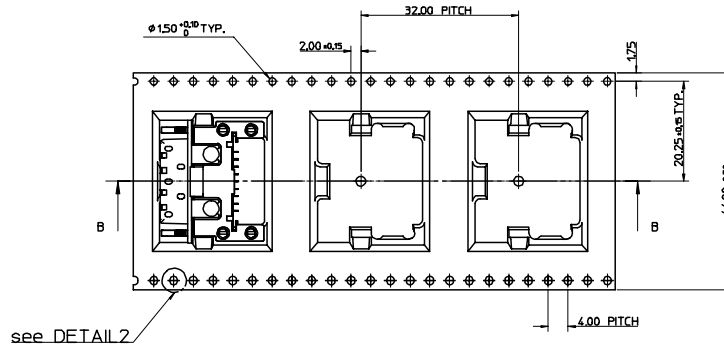
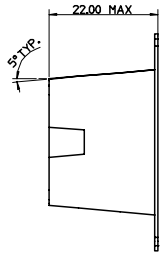
REEL DIMENSIONS-REFERENCE ONLY



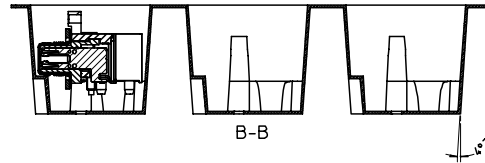
99044-4006  
SCALE 1:4

- NOTES:
- CARRIER TAPE: VOLUME CONDUCTIVE POLYSTYRENE, 0.50 REF THICK, COVER TAPE: COLD SEAL POLYESTER, 0.06 REF THICK, TRANSPARENT
  - PITCH TOLERANCE OVER ANY 10 PITCHES ± 0.2
  - PEEL FORCE OF THE COVER TAPE IS 0.1N TO 1.0N AT A MAXIMUM PEEL SPEED OF 300mm/min ± 10%
  - REFERENCE TO EIA-481-C EXCEPT WHERE NOTED
  - REFERENCE COMPONENT DRAWING SD-91804-001

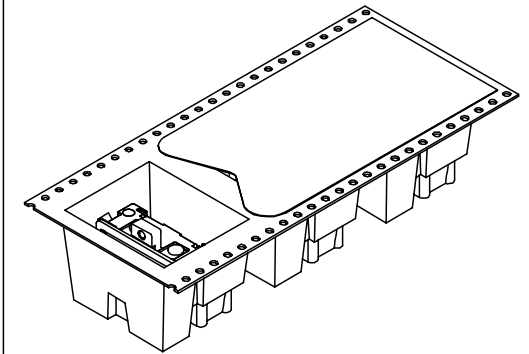
ORIGINAL RELEASE EC NO. E2005-0248 DRAWN: DWALSH CHKD.: 2005/03/09 APPR.: JWALLACE 2005/03/14	QUALITY SYMBOLS ▽=0 ▽=0	GENERAL TOLERANCES (UNLESS SPECIFIED)		DIMENSION STYLE MM ONLY		SCALE 2:1	DESIGN UNITS METRIC	THIRD ANGLE PROJECTION
		mm	INCH	DRAWN BY DWALSH	DATE 02/02/05	TITLE LANELINK F CONN 4X LATCH CARRIER TAPE	MATERIAL NO. 91804-8***	
A	DESCRIPTION	4 PLACES ±---	±---	DRAWN BY	DATE	MATERIAL NO.		DOCUMENT NO.
		3 PLACES ±---	±---	CHECKED BY	DATE	91804-8***		SD-91804-002
		2 PLACES ±0.10	±---	APPROVED BY	DATE	MATERIAL NO.		SHEET NO.
		1 PLACE ±0.2	±---	JWALLACE	16/02/05	91804-8***		1 OF 2
		ANGULAR ± 2°				MATERIAL NO.		
		DRAFT WHERE APPLICABLE MUST REMAIN WITHIN DIMENSIONS				MATERIAL NO.		
						MATERIAL NO.		
						MATERIAL NO.		



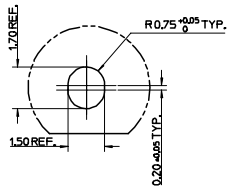
4X OPTION WITH PANEL MOUNT, WITH REAR MOUNTS, 91804-8254



B-B



4X OPTION WITH PANEL MOUNT, WITHOUT REAR MOUNTS, 91804-8256



DETAIL2  
Scale 10:1

NOTES:  
1. FOR ALL UNSPECIFIED NOTES AND DIMENSIONS SEE SHEET 1

SEE SHEET 1 EC NO. E2003-0248 2005/03/09 DRWNG: WALSH 2005/03/09 CHKD: APPR: WALLACE 2005/03/24	QUALITY SYMBOLS 	GENERAL TOLERANCES (UNLESS SPECIFIED)		DIMENSION STYLE MM ONLY	SCALE 2:1	DESIGN UNITS METRIC	THIRD ANGLE PROJECTION		
		4 PLACES ± --- ± ---	3 PLACES ± --- ± ---	2 PLACES ± 0.10 ± ---	1 PLACE ± 0.2 ± ---	DRAWN BY DWALSH	DATE 02/02/05	TITLE LANELINK F CONN 4X LATCH CARRIER TAPE	
		ANGULAR ± 2 °				CHECKED BY KDELANEY	DATE 09/02/05	APPROVED BY JWALLACE	
		DRAFT WHERE APPLICABLE MUST REMAIN WITHIN DIMENSIONS				MATERIAL NO. 91804-8***	DATE 16/02/05	MOLEX INCORPORATED	
				SIZE A1	DOCUMENT NO. SD-91804-002		SHEET NO. 2 OF 2		