

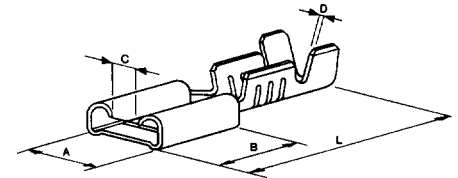
FEATURES AND SPECIFICATIONS

Features and Benefits

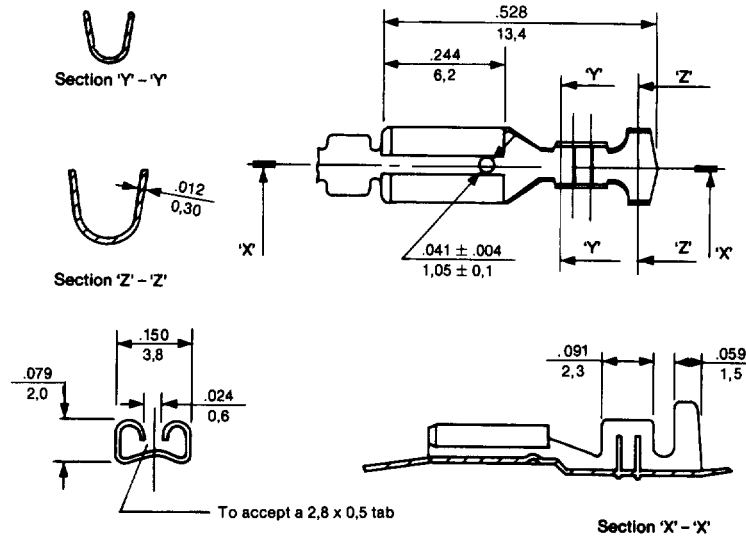
- Wire range from 0.05 through 0.15mm² to 0.50 through 1.00mm²
- Insulation range from 0.70 through 1.50Ømm to 2.70 through 3.30Ømm
- The product is designed to achieve a quick method of electrical connection/disconnection
- The female receptacle has opening walls at the rear to prevent over insertion of corresponding tab

molex® Quick Connect Female Receptacle

For 2.80 by 0.50mm
(.110 by .020") Tabs



Available Primarily in Europe—Distributed by Molex Incorporated, not Molex-ETC™



ORDERING INFORMATION AND DIMENSIONS

Wire Size AWG (mm ²)	Insulation Range	Order No.*		Dimension				
		Brass/Plain	Brass/Tin	A	B	C	D	L
16-20 (0.50-1.50)	2.00-3.60 (.079-.142)	94030-4920	94030-4921	3.80 (.150)	6.20 (.244)	0.60 (.024)	0.30 (.012)	13.40 (.528)
20-24 (0.25-0.50)	1.00-2.00 (.039-.079)	94030-4170	94030-4171	3.80 (.150)	6.20 (.244)	0.60 (.024)	0.30 (.012)	13.40 (.528)
24-30 (0.05-0.20)	0.70-1.30 (.028-.051)	94030-4940	94030-4941	3.80 (.150)	6.40 (.252)	0.60 (.024)	0.30 (.012)	13.40 (.528)

* Contact factory to obtain order no. for Phosphor Bronze/Plain, Phosphor Bronze/Tin, Nickel Silver/Plain and Steel/Nickel

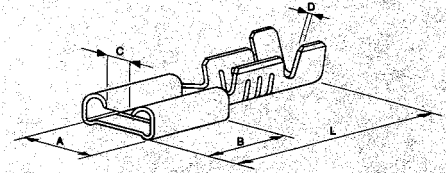
FEATURES AND SPECIFICATIONS

Features and Benefits

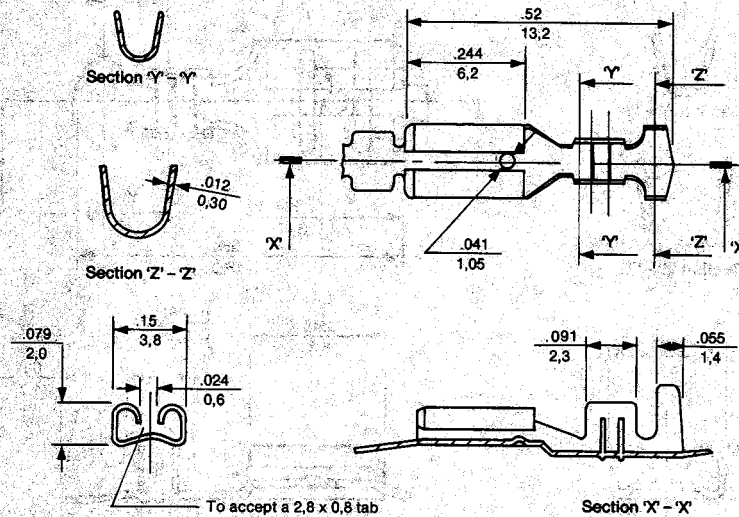
- Wire range from 0.25 through 0.50mm² to 0.50 through 1.50mm²
- Insulation range from 1.20 through 2.10mm to 2.00 through 3.60mm

molex® Quick Connect Female Receptacle

For 2.80 by 0.80mm
(.110 by .032") Tabs



Available Primarily in Europe—Distributed by Molex Incorporated, not Molex-ETC*



ORDERING INFORMATION AND DIMENSIONS

Wire Size AWG (mm ²)	Insulation Range	Order No.*		Dimension				
		Brass/Plain	Brass/Tin	A	B	C	D	L
16-20 (0.50-1.50)	2.00-3.60 (1.079-1.42)	94030-4930	94030-4931	3.80 (.150)	6.20 (.244)	0.60 (.024)	0.30 (.012)	13.20 (.520)
20-24 (0.25-0.50)	1.20-2.10 (.047-.083)	94030-4200	94030-4201	3.80 (.150)	6.20 (.244)	0.60 (.024)	0.30 (.012)	13.20 (.520)

* Contact factory to obtain order no. for Phosphor Bronze/Plain, Phosphor Bronze/Tin, Nickel Silver/Plain and Steel/Nickel



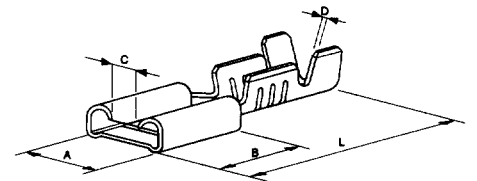
FEATURES AND SPECIFICATIONS

molex® Quick Connect Female Receptacle

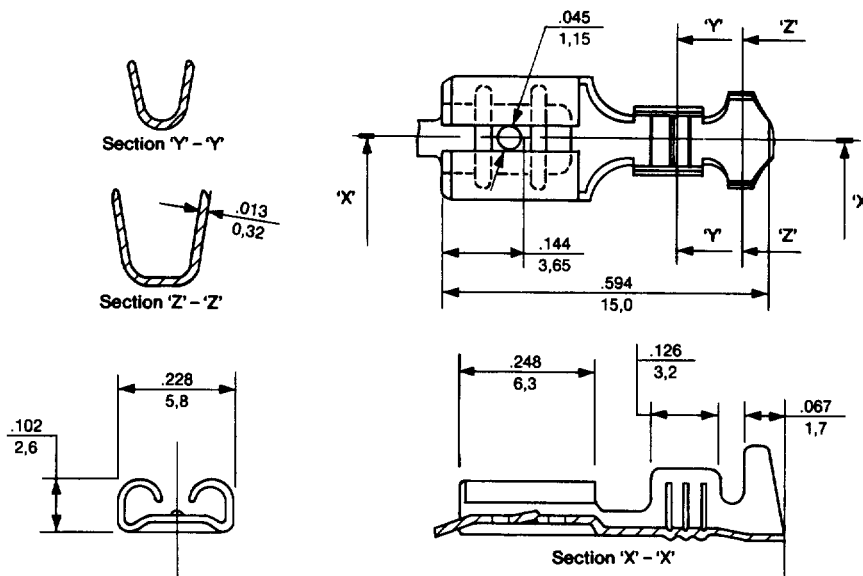
For 4.80 by 0.50mm
(.187 by .020") Tabs

Features and Benefits

- Wire range from 0.50 through 1.00mm² to 1.00 through 2.50mm²
- Insulation range from 2.00 through 3.30Ømm to 2.70 through 4.30Ømm



Available Primarily in Europe—Distributed by Molex Incorporated, not Molex-ETC™



ORDERING INFORMATION AND DIMENSIONS

Wire Size AWG (mm ²)	Insulation Range	Order No.*		Dimension				
		Brass/Plain	Brass/Tin	A	B	C	D	L
18-20 (0.50-1.00)	2.00-3.30 (.079-.130)	94030-4530	94030-4531	5.80 (.228)	6.30 (.248)	1.20 (.047)	0.32 (.013)	15.10 (.594)
14-18 (1.00-2.50)	2.70-4.30 (.106-.169)	94030-4540	94030-4541	5.80 (.228)	6.30 (.248)	1.20 (.047)	0.32 (.013)	15.10 (.594)

* Contact factory to obtain order no. for Phosphor Bronze/Plain, Phosphor Bronze/Tin, Nickel Silver/Plain and Steel/Nickel

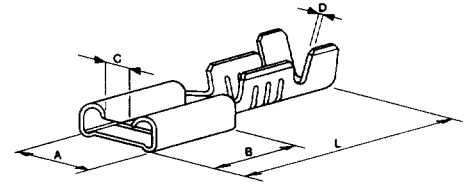
FEATURES AND SPECIFICATIONS

Features and Benefits

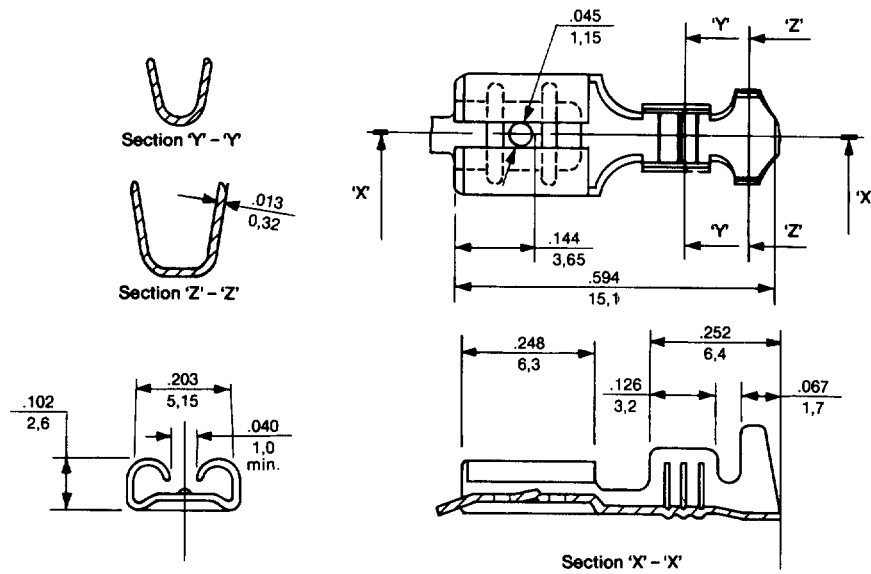
- Wire range from 0.50 through 1.00mm² to 1.00 through 2.50mm²
- Insulation range from 2.00 through 3.30Ømm to 2.70 through 4.30Ømm

molex® Quick Connect Female Receptacle

For 4.80 by 0.80mm
(.187 by .032") Tabs



Available Primarily in Europe—Distributed by Molex Incorporated, not Molex-ETC™



ORDERING INFORMATION AND DIMENSIONS

Wire Size AWG (mm ²)	Insulation Range	Order No.*		Dimension				
		Brass/Plain	Brass/Tin	A	B	C	D	L
18-20 (0.50-1.00)	2.00-3.30 (.079-.130)	94030-4020	94030-4021	5.15 (.203)	6.30 (.248)	1.20 (.047)	0.32 (.013)	15.10 (.594)
14-18 (1.00-2.50)	2.70-4.30 (.106-.169)	94030-4030	94030-4031	5.15 (.203)	6.30 (.248)	1.20 (.047)	0.32 (.013)	15.10 (.594)

* Contact factory to obtain order no. for Phosphor Bronze/Plain, Phosphor Bronze/Tin, Nickel Silver/Plain and Steel/Nickel

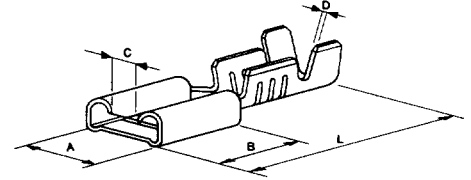
FEATURES AND SPECIFICATIONS

Features and Benefits

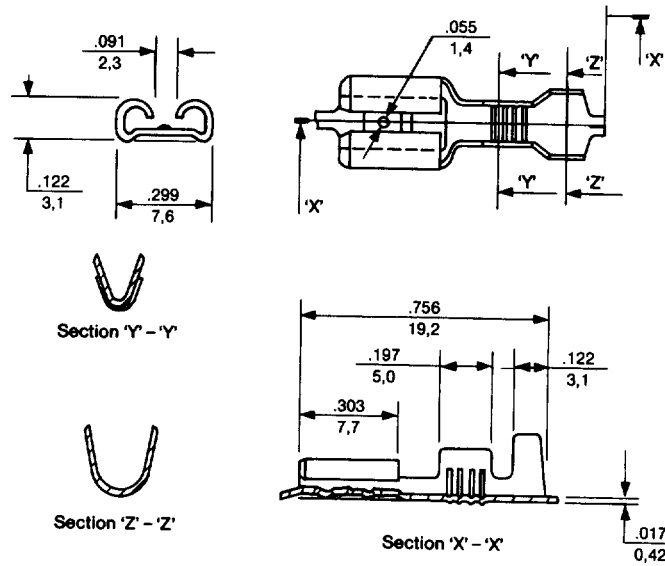
- Wire range from 0.50 through 1.00mm² to 4.00 through 6.00mm²
- Insulation range from 2.00 through 3.30Ømm to 3.80 through 5.10Ømm

molex® Quick Connect Female Receptacle

For 6.30 by 0.80mm
(.250 by .032") Tabs



Available Primarily in Europe—Distributed by Molex Incorporated, not Molex-ETC™



ORDERING INFORMATION AND DIMENSIONS

Wire Size AWG (mm ²)	Insulation Range	Order No.*		Dimension				
		Brass/Plain	Brass/Tin	A	B	C	D	L
18-20 (0.50-1.00)	2.00-3.30 (.079-.130)	94512-0100	94512-0101	7.60 (.299)	7.70 (.303)	2.30 (.091)	0.42 (.017)	19.20 (.756)
14-18 (1.00-2.50)	2.70-4.30 (.106-.168)	94512-0200	94512-0201	7.60 (.299)	7.70 (.303)	2.30 (.091)	0.42 (.017)	19.20 (.756)
10-11 (4.00-6.00)	3.80-5.10 (.150-.201)	94512-0300	94512-0301	7.60 (.299)	7.70 (.303)	2.30 (.091)	0.42 (.017)	19.20 (.756)

* Contact factory to obtain order no. for Phosphor Bronze/Plain, Phosphor Bronze/Tin, Nickel Silver/Plain and Steel/Nickel

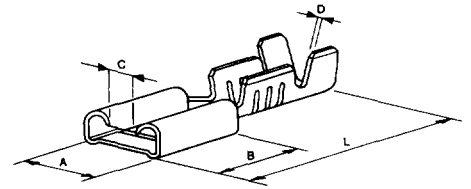
FEATURES AND SPECIFICATIONS

Features and Benefits

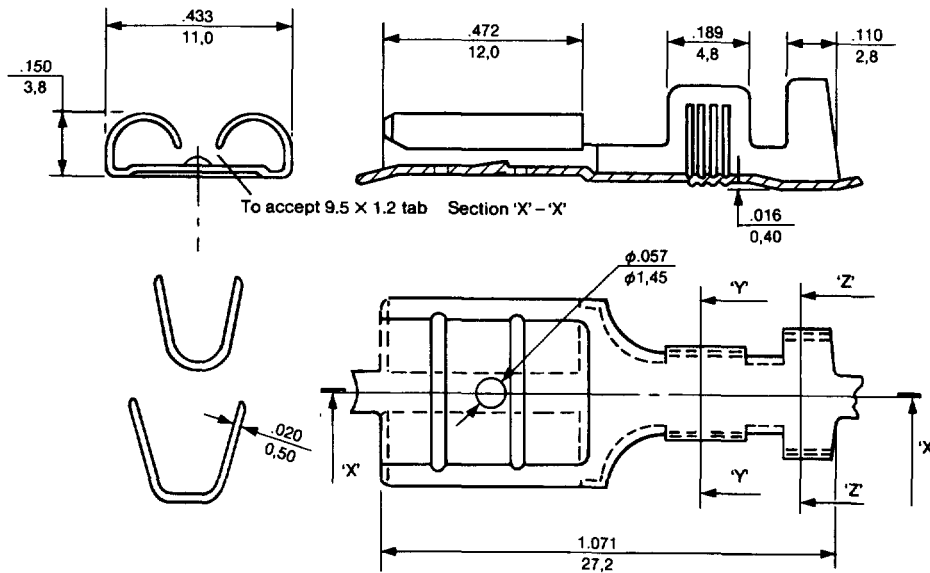
- Wire range 4.00 through 6.00mm²
- Insulation range 3.80 through 5.10mm

molex® Quick Connect Female Receptacle

For 9.50 by 1.20mm
(.374 by .047") Tabs



Available Primarily in Europe—Distributed by Molex Incorporated, not Molex-ETC™



ORDERING INFORMATION AND DIMENSIONS

Wire Size AWG (mm ²)	Insulation Range	Order No.*		Dimension				
		Brass/Plain	Brass/Tin	A	B	C	D	l
10-11 (4.00-6.00)	3.80-5.10 (.150-.201)	94030-4220	94030-4221	11.00 (.433)	12.00 (.472)	2.50 (.098)	0.50 (.020)	27.20 (1.071)

* Contact factory to obtain order no. for Phosphor Bronze/Plain, Phosphor Bronze/Tin, Nickel Silver/Plain and Steel/Nickel