

CBAS17

**SURFACE MOUNT  
LOW VOLTAGE  
SILICON STABISTOR**



[www.centrasemi.com](http://www.centrasemi.com)

**DESCRIPTION:**

The CENTRAL SEMICONDUCTOR CBAS17 type is a planar epitaxial silicon switching diode, designed for low voltage stabilizing applications.

**MARKING CODE: A91**



**SOT-23 CASE**

**MAXIMUM RATINGS:** ( $T_A=25^{\circ}\text{C}$ )

Peak Repetitive Forward Current  
Power Dissipation  
Operating and Storage Junction Temperature  
Thermal Resistance

**SYMBOL**

$I_{FRM}$  250  
 $P_D$  350  
 $T_J, T_{stg}$  -65 to +150  
 $\Theta_{JA}$  357

**UNITS**

mA  
mW  
 $^{\circ}\text{C}$   
 $^{\circ}\text{C/W}$

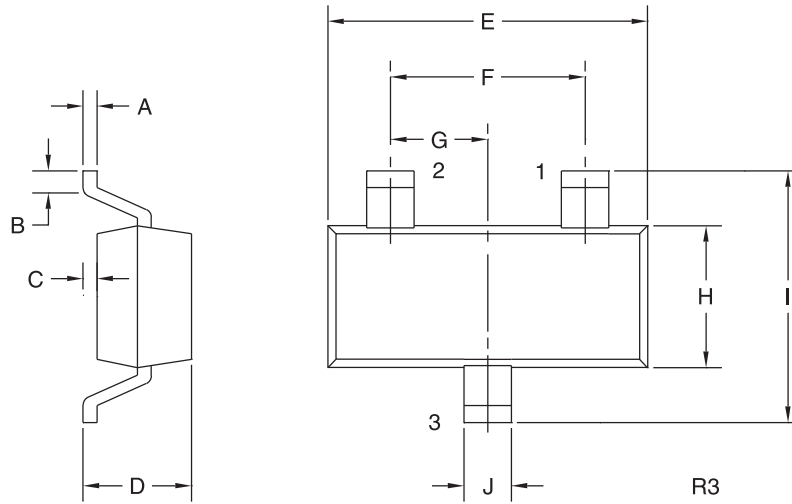
**ELECTRICAL CHARACTERISTICS:** ( $T_A=25^{\circ}\text{C}$  unless otherwise noted)

SYMBOL	TEST CONDITIONS	MIN	TYP	MAX	UNITS
$I_R$	$V_R=4.0\text{V}$			5.0	$\mu\text{A}$
$V_F$	$I_F=0.1\text{mA}$	580	665	680	mV
$V_F$	$I_F=1.0\text{mA}$	665	745	760	mV
$V_F$	$I_F=5.0\text{mA}$	725	805	820	mV
$V_F$	$I_F=10\text{mA}$	750	825	840	mV
$V_F$	$I_F=100\text{mA}$	870	920	960	mV
$C_T$	$V_R=0, f=1.0\text{MHz}$			140	pF

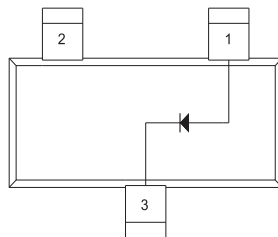
**CBAS17**  
**SURFACE MOUNT**  
**LOW VOLTAGE**  
**SILICON STABISTOR**



**SOT-23 CASE - MECHANICAL OUTLINE**



**PIN CONFIGURATION**



**LEAD CODE:**

- 1) ANODE
- 2) NO CONNECTION
- 3) CATHODE

**MARKING CODE: A91**

SYMBOL	INCHES		MILLIMETERS	
	MIN	MAX	MIN	MAX
A	0.003	0.007	0.08	0.18
B	0.006	-	0.15	-
C	-	0.005	-	0.13
D	0.035	0.043	0.89	1.09
E	0.110	0.120	2.80	3.05
F	0.075		1.90	
G	0.037		0.95	
H	0.047	0.055	1.19	1.40
I	0.083	0.098	2.10	2.49
J	0.014	0.020	0.35	0.50

SOT-23 (REV: R3)

R6 (20-November 2009)