



- Optimized heat fins for natural convection
- No UV or IR light radiation
- Optimized heat fins with sleek design
- Universal power input
- Current controlled LED driver integrated on PCB
- Operation temperature:-20°C~40°C
- Long lifetime: 25000 hours(L₇₀)
- E26 / E27 screw mount cap

Typical Applications

- Agricultural Lighting
- Aquarium Lighting
- Biological Lighting
- Mood Lighting
- Professional Lighting Application

Description

These EVERLIGHT LED modules are designed for agricultural applications and possess many superior features compared to traditional PAR lamp. These LED light modules are based on market reliability and design requirements and use low power, high efficiency LEDs.

Features

- Light source: Everlight SMD LED
- Low power consumption
- High luminosity and long life time
- Customer defined RGB wavelength and ratio
- Environmentally friendly
- Excellent opto-electronic performance

Product Specification

Parameter	Description
Lens	PC
Housing	Die Casting Aluminum
Cap	E26 / E27 screw cap
Power Efficacy	80%
Power Consumption	10 Watts
Power Factor	100V AC/60Hz, PF≥0.7 220V AC/50Hz, PF≥0.7
Optimized Body Temperature @25°C	55°C
Operation Temperature	-20°C~40°C
Storage Temperature	-30°C~80°C
Weight	410g



Coding of part number:

GL – PAR30 / C / P10 / RW / ND / 27 / UNI
1 2 3 4 5 6 7

1. Product series

SL-PAR30: PAR Lamp series

2. LED Type

C: Everlight HP C LED

3. Power Consumption

P10:10W (No Dimming)

4. Recipe [1]

R901: R : G : B = 9 : 0 : 1

R802: R : G : B = 8 : 0 : 2

R811: R : G : B = 8 : 1 : 1

R100: R : G : B = 1 : 0 : 0

RW: Red and White LED

Note. 1. The RGB ratio is defined by the Photosynthetic Photon Flux Intensity (PPFD, $\mu\text{mol}/\text{m}^2/\text{s}$). Standard ratio tolerance is ± 1 .

5. Dimming Control

ND: No Dimming

6. Lamp-holder

26: E26

27: E27

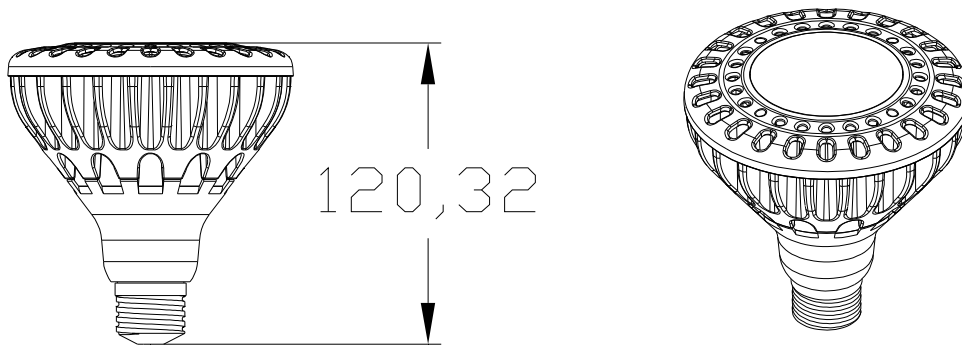
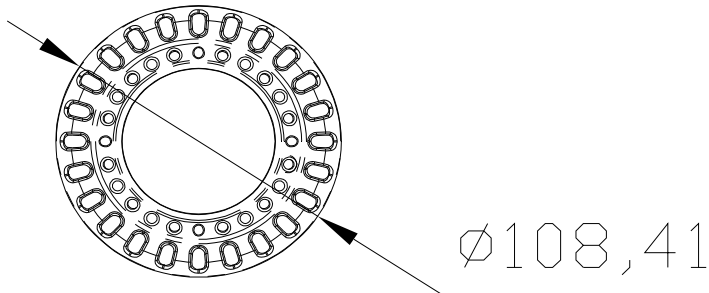
7. Input Voltage

LAC: 100~120VAC

HAC: 220~240VAC

UNI : Universal 100~240 VAC

Product Dimensions



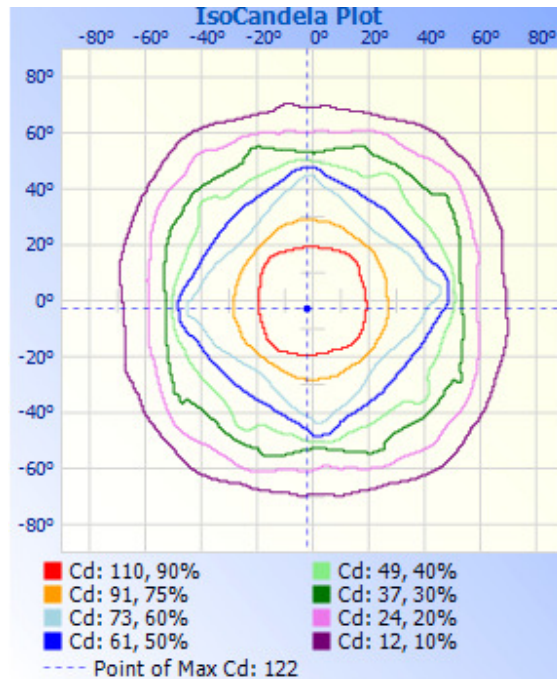
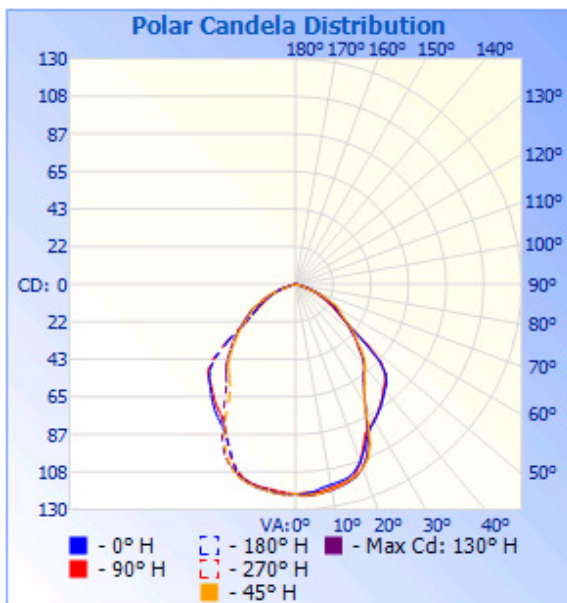
- Notes: 1. Dimensions are in millimeters
2. Tolerances unless dimensions $\pm 0.5\text{mm}$

Typical Electro-Optical Characteristics

Relative Spectral Distribution,
 $P_{input}= 10W, T_{Ambient}=25^{\circ}C$

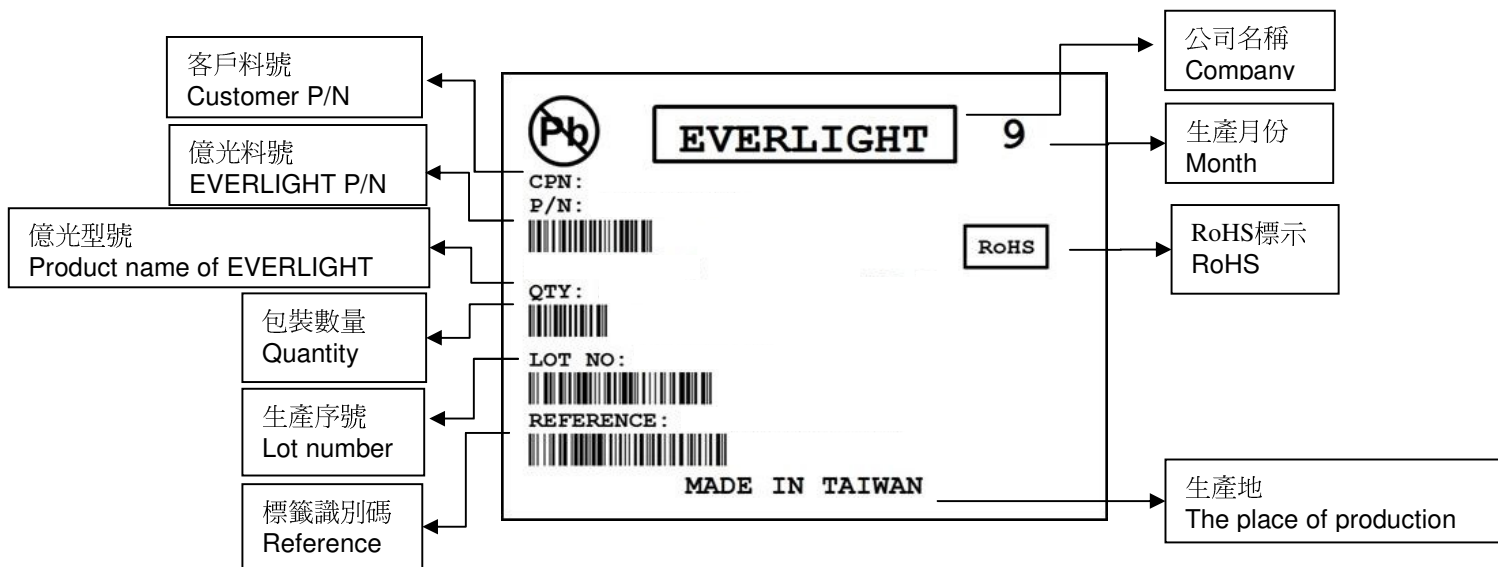
Model	Beam Angle	(x,y)	Lux@15cm	umole@15cm
GL-PAR30/C/P10/RW/ND/27/UNI	100°	(0.475,0.318)±0.02	>3200	>220

Intensity Distribution





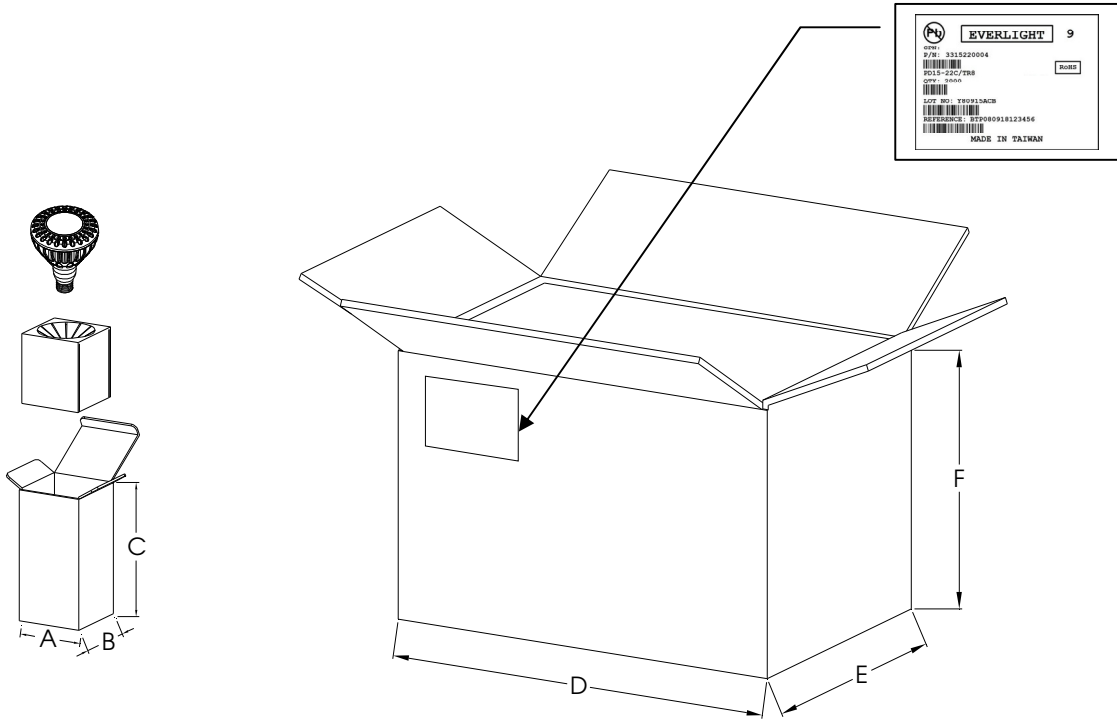
Label Explanation





GL-PAR30 LED Lamp

Packaging Dimension



Package	Unit: mm	Unit: kg
A	130	0.44
B	130	
C	150	
Outer Box		
D	320	5.4
E	290	
F	770	

Packing Quantity

- ① 1 Luminaire / 1 Package
- ② 10 Packages / 1 Outer Box



EVERLIGHT ELECTRONICS CO.,LTD.

Technical Data Sheet

GL-PAR30 LED Lamp

Installation Instruction and Warning

- Do not open - no user serviceable parts inside.
- Turn off power before inspection, installation, or removal.
- Not for use where exposed to the weather.
- Do not use in totally enclosed fixtures.
- Not for use with dimmers.
- Not intended for use with emergency exit fixtures or emergency