



Features:

- Constant Voltage Design
- Universal AC input/ Full Range
- Built-in Active PFC function, PF 0.99 Typical
- High Efficiency (Up to 95%)
- Output Protections: OLP/OVP/SCP/OTP
- Lightning Protection
- Waterproof (IP67)
- 5 Year Warranty

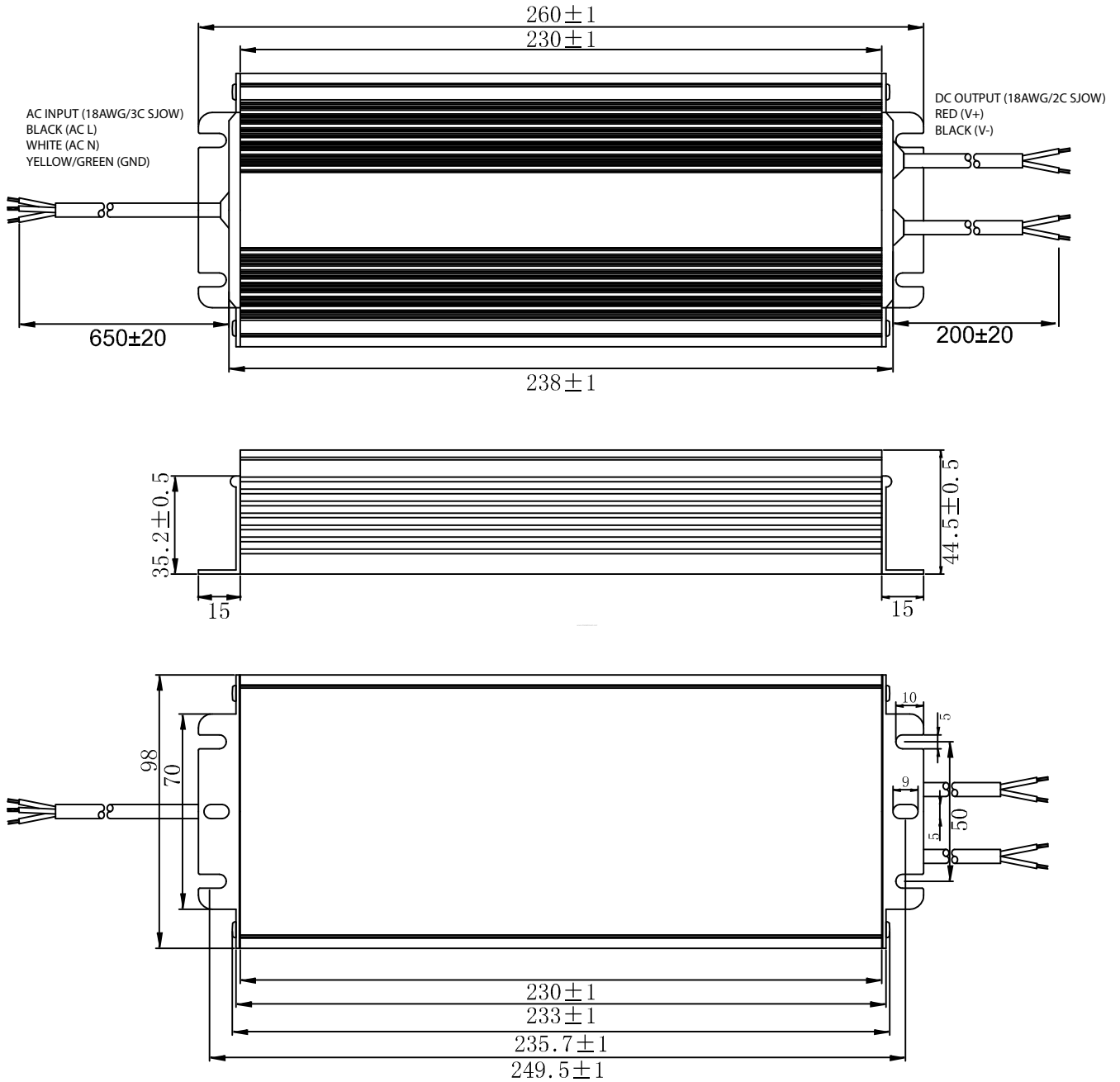


Model	PLV-300S024	PLV-300S036	PLV-300S042	PLV-300S048	PLV-300S052	PLV-300S054	PLV-300S056	PLV-300S060	PLV-300S084	PLV-300S105	PLV-300S150
Output Characteristics											
DC Output	24V	36V	42V	48V	52V	54V	56V	60V	84V	105V	150V
Rated Current	12.5A	8.33A	7.14A	6.25A	5.77A	5.55A	5.35A	5.0A	3.57A	2.85A	2.0A
Current Range	0~12.5A	0~8.33A	0~7.14A	0~6.25A	0~5.77A	0~5.55A	0~5.35A	0~5.0A	0~3.57A	0~2.85A	0~2.0A
Ripple and Noise (max) <small>Note 1</small>	±2% Vo										
Voltage Accuracy	±2% Vo										
Line Regulation	±1% Vo										
Load Regulation	±2% Vo										
Rise Time	20mS Max @ Rated Load										
Hold-up Time (Typ.)	10mS Min (110VAC input, full load), 20mS Min (220VAC input, full load)										
Input Characteristics											
Voltage Range	90VAC~305VAC										
Frequency Range	47Hz~63Hz										
Power Factor (Typical)	110VAC	>0.99	>0.99	>0.99	>0.99	>0.99	>0.99	>0.99	>0.99	>0.99	>0.99
	220VAC	>0.95	>0.95	>0.95	>0.95	>0.95	>0.95	>0.95	>0.95	>0.95	>0.95
Efficiency (Typical)	93%	93%	93%	94%	94%	94%	94%	94%	94%	95%	95%
AC Current (max)	3.5A @ 100-277VAC Input Full Load										
Inrush Current (max)	75A @ 230VAC, 25°C										
Leakage Current	0.75mA max @ 277VAC										
Protection											
Over Load (OLP)	110%~180% (135% Typ.) of rated output current, hiccup mode, auto recovery										
Over Temperature (OTP)	110°C (Temperature of internal components); shut down, auto recover after the temperature decreases										
Over Voltage (OVP) <small>Note 2</small>	1.2~1.4Vo										
Short Circuit (SCP)	Long-term mode, auto recovery										
Environmental Characteristics											
Operating Temperature	-35°C~70°C										
Operating Relative Humidity	10% RH to 100% RH										
Storage Temperature	-40°C~85°C, 5% to 100% RH non-condensing										
Vibration	10 to 300Hz sweep at constant acceleration of 1.0G(Breadth: 3.5mm) for 1 Hour for each of the perpendicular axes X, Y, Z										
Waterproof Rating	IP67										
Safety Standards	UL8750, Compliance to UL1012 UL935, IEC61347										
Withstand Voltage	L/N-GND: 4kV, L-N: 2kV										
Isolation Resistance	I/P-O/P: >100M Ohms / 500VDC / 25°C / 70% RH										
EMC Emission	Compliance to EN55022(CISPR22) Class B, EN61000-3-2 Class A, EN61000-3-3										
EMC Immunity	Compliance to EN61000-3-2, 3 EN61000-4-2, 3, 4, 5, 6, 8, 11, EN61547										
Characteristics											
Life Time	More than 50,000Hrs (25°C, 80% Load)										
MTBF (MIL-HDBK-217F)	More than 255,000Hrs (25°C, 80% Load)										
Dimension (LxWxH)	260x101x46.3mm										
Note	1. Ripple & Noise: Measured by 20 MHz bandwidth oscilloscope and the output paralleled with a 0.1 uF ceramic capacitor and a 10 uF electrolytic capacitor. 2. Latch Mode: The power supply shall return to normal operation only after the power is turned on again										

MECHANICAL SPECIFICATIONS

UNIT: mm

PLV-300S024

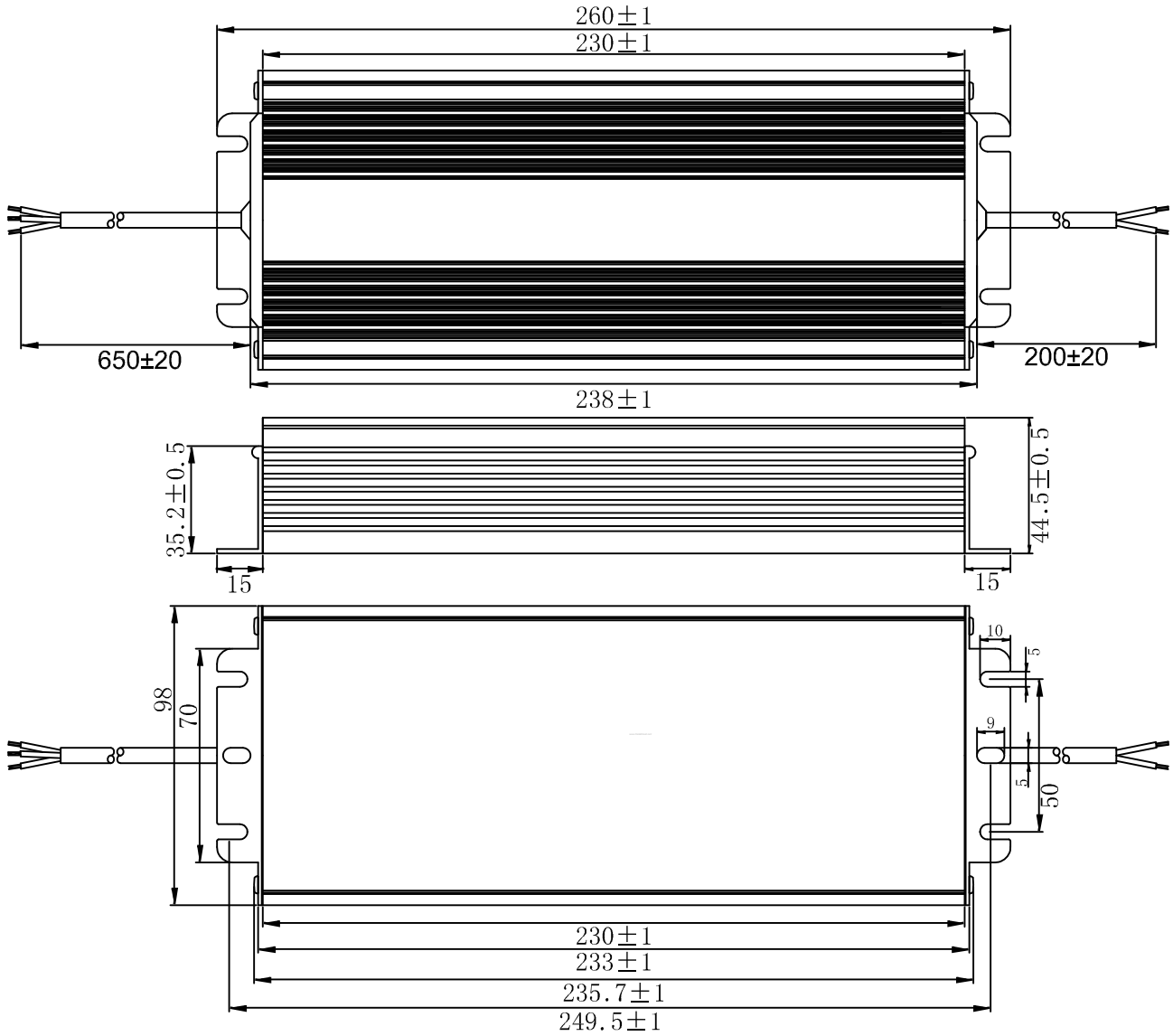


Note: The 2 DC output cables are connected in parallel internally because one #18 AWG wire can only carry 10A. Please connect the 2 red wires together and 2 black wires together, or ensure each cable carries the same current.

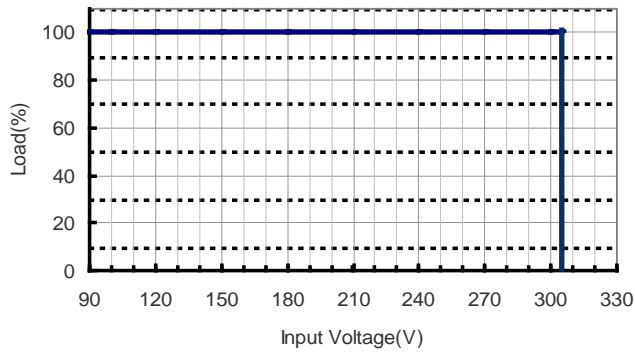
MECHANICAL SPECIFICATIONS

UNIT: mm

OTHERS



Derating Curve



Ambient Temperature vs. Load

