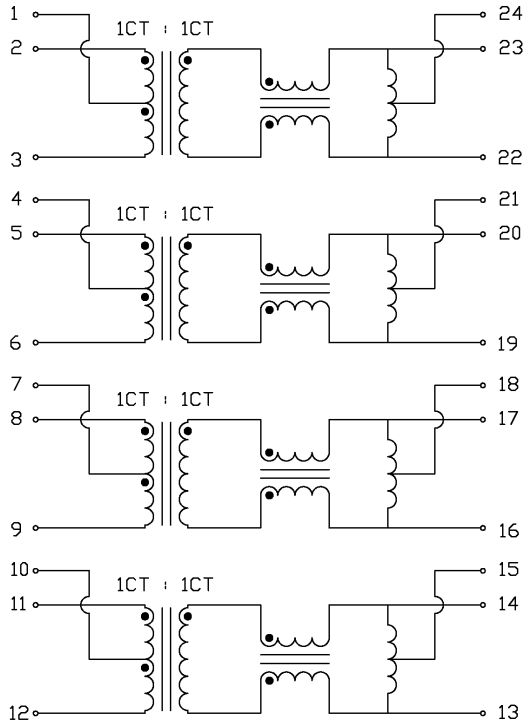


THE INFORMATION CONTAINED HEREIN IS CONSIDERED "PROPRIETARY" TO BEL FUSE INC. AND SHALL NOT BE COPIED, REPRODUCED OR DISCLOSED WITHOUT THE WRITTEN APPROVAL OF BEL FUSE INC.

RoHS
2002/95/EC



SCHEMATIC



ELECTRICAL SPECIFICATIONS @25°C

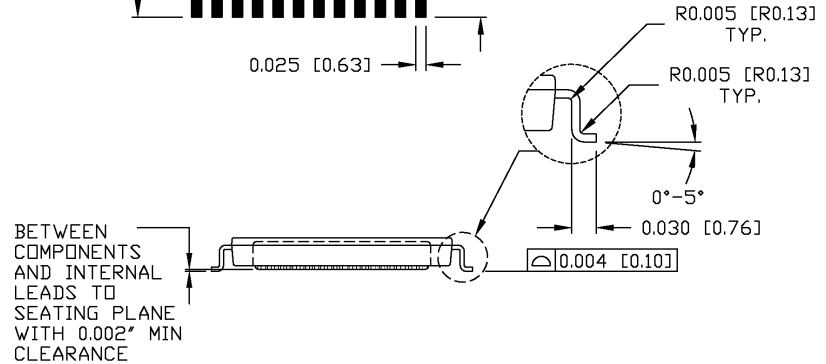
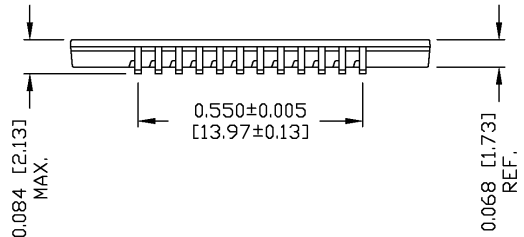
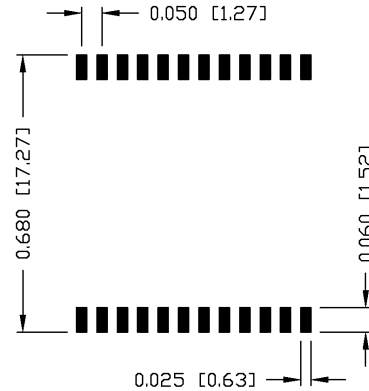
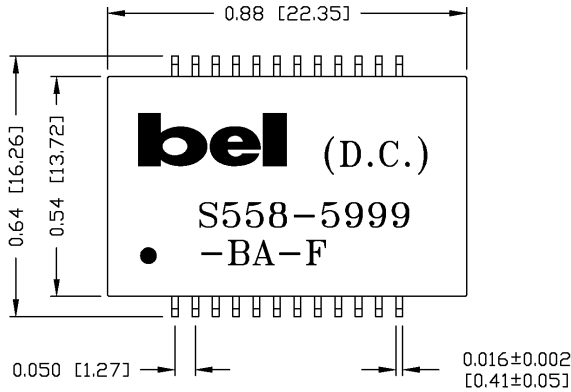
URNS RATIO	1CT : 1CT
PHASE	2 TO 23, 5 TO 20, 8 TO 17, 11 TO 14 IN PHASE
QCL (22-23), (19-20), (16-17), (13-14)	350uH MIN. AT 100kHz, 100mV WITH 8mA DC BIAS, FROM 0 -70°C
INSERTION LOSS	1.0dB MAX. @ 1 TO 100MHz 1.5dB MAX. @ 125MHz
RETURN LOSS MEASURED UNDER A 100 Ω I/O	18dB MIN. @ 1-30MHz 15dB MIN. @ 60MHz 12dB MIN. @ 80MHz 10dB MIN. @ 100MHz
CROSSTALK	35dB MIN. AT 10 TO 100 MHz
COMMON TO COMMON REJECTION	30dB MIN. AT 100kHz TO 155MHz
HIPOT	PER HAND-WORK-03

ORIGINATED BY HQ	DATE 04-20-06	TITLE ELECTRICAL SPECIFICATION	PART NO. / DRAWING NO. X5585999BA-F	STANDARD DIM. TOL. IN INCH	[] METRIC DIM. AS REFERENCE	 COMPONENTS ARE A CONNECTED PLANET	
DRAWN BY DQ Chen	DATE 04-20-06	S558-5999-BA-F	FILE NAME X5585999BAFA.DWG	.X	UNIT : INCH [mm]		REV. : A
				.XX	SCALE : N/A		SIZE : A4
				.XXX			PAGE : 2

THE INFORMATION CONTAINED HEREIN IS CONSIDERED "PROPRIETARY" TO BEL FUSE INC. AND SHALL NOT BE COPIED, REPRODUCED OR DISCLOSED WITHOUT THE WRITTEN APPROVAL OF BEL FUSE INC.



SUGGESTED PCB PAD LAYOUT



NOTES:

- STANDARD MARKING REFER TO DOC. HAND-WORK-04.
- PACKAGE CODE: "RJS001".

ORIGINATED BY	DATE	TITLE	PART NO. / DRAWING NO.	STANDARD DIM. TOL. IN INCH	[] METRIC DIM. AS REFERENCE	 COMPONENTS ARE A CONNECTED PLANET	
HD	04-20-06	MECHANICAL DRAWING S558-5999-BA-F	X5585999BA-F	.X	UNIT : INCH [mm]		REV. : A
DRAWN BY	DATE		FILE NAME	.XX ±0.01	SCALE : N/A		SIZE : A4
DQ Chen	04-20-06		X5585999BAFA.DWG	.XXX ±0.005	SCALE : N/A		PAGE : 3