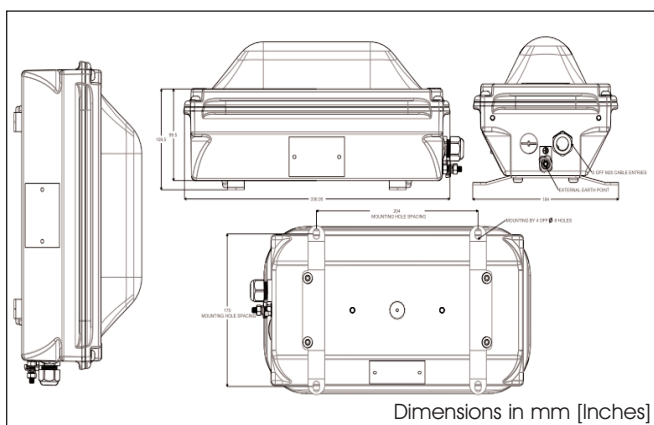




## DuroSite® LED Emergency Shower Safe Luminaire



### Certifications

- CE - Compliant  
EN 55015:2006 / EN 61547:2009 / EN 60598-2-22:1999
- IEC 60068 salt spray testing - severity 1
- IK10 to EN 50102
- IP66 to EN 60529
- GOST R approved

### Features & Benefits

- 5 year full performance warranty
- 360° visibility
- Instant on/off operation
- Mercury free, lead free
- LED indicator for fixture battery monitoring
- Resistant to shock and vibration
- L70 rated for >100,000 hours @ 45°C ambient
- Factory sealed

### Application:

The Dialight DuroSite® LED Shower Safe Emergency Bulkhead luminaire has a rugged design to ensure long life and high reliability when used to identify emergency showers on large industrial sites. Specially designed optics and 360° viewing angle make this a high visibility light unit for this application. This self-contained maintained emergency luminaire offers a minimum of 3 hours of illumination equal to 10% of the standard output. It is ideally suited for explosive environments, mills, chemical plants and other hazardous environments where emergency shower areas are required. Dialight offers flush, angle, stanchion mounting bracket and adjustable mounting options for use with the DuroSite Bulkhead as well as a recessed housing.

### Mechanical Information

**Fixture Weight:** 5.4 kg (11.9 lb)  
**Cable Entry options:** All cable entries are drilled and tapped see ordering option

### Electrical specifications

**Operating Voltage:** 230/240 VAC  
**Input Current:** 110mA  
**Input Wattage:** 24W  
**Battery:** 3.6V 4Ah Nimh  
**Battery Life:** 4 years  
**Battery duration:** >3 hours  
**Operating Temp:** 0°C to +50°C  
 (-20°C versions available)  
**Harmonics:** EN 61000-3-2: 2006  
**THD:** <20% @ 230 VAC  
**Surge Protection:** EN-61000-4-5  
 1 kV line to line  
 2 kV line to ground

**Power Factor:** > 0.9

### Materials

**Housing:** Copper free aluminium cast  
**Finish:** Light grey epoxy powder coated (RAL7001)  
**Lens:** High Impact resistant polycarbonate  
**Mounting Brackets:** 306 Stainless steel  
**Stanchion Brackets:** Copper free LM6 aluminium cast  
**Configuration:** Flush or 30° angle

### Photometric Information

**Dominant Wavelength** 530.0 nm  
 All values typical unless otherwise state



## Ordering Codes for Standard Model 2 M20 Entries on 1 Side

Ordering Code:

Example: WE-0G4H-FLGD

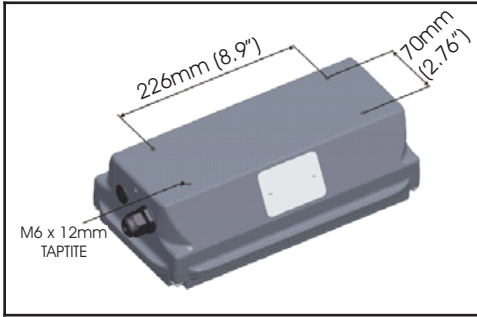
Product Family	Optic	LED Colour	Voltage	LED qty	Bracket	Finish	Glazing
WE	0 = No Optics	G = Green	4 = 230/240 VAC	18 LEDs	A = Angle Bracket F = Flush Bracket N = No Bracket	LG = Light Grey	D = Dome Lens

# DuroSite® LED Emergency Shower Safe Luminaire

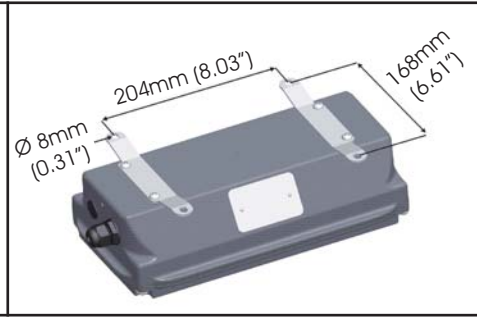
## Mounting Options

### Bulkhead with no bracket option

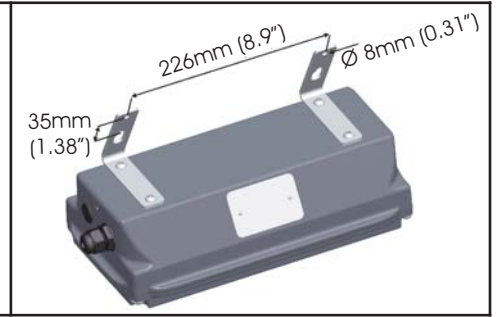
Recommended for use with below accessories



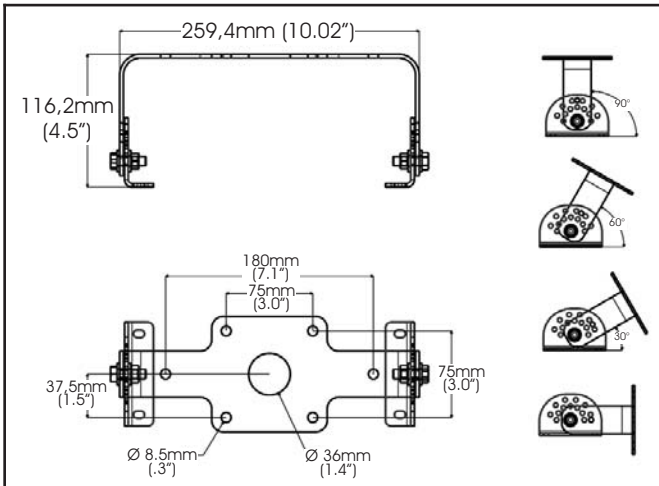
### Bulkhead with flush mount bracket option



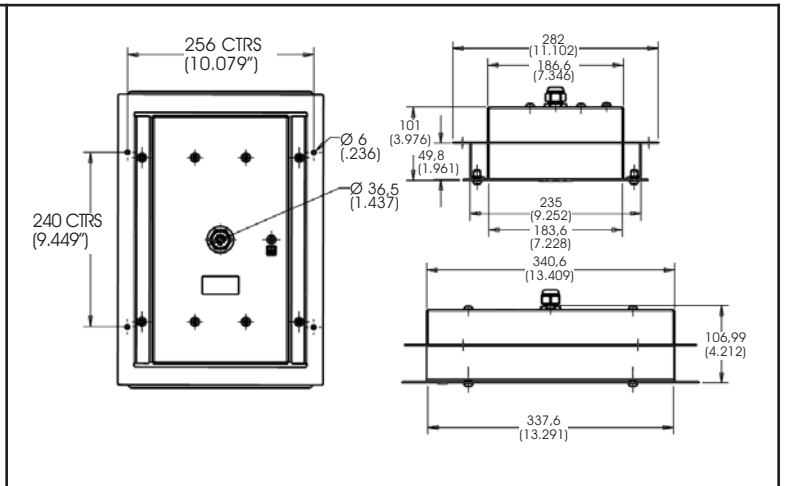
### Bulkhead with 30 degree angle bracket option









### Adjustable bracket



### Recessed housing



## Accessories

	Part Number	Description
	WPBRKTSSADJ	Adjustable bracket 306 stainless steel adjustable bracket 6x Ø 8.5mm (0.35") mounting holes <i>Recommended to be used with WEA2 or WEA4 versions.</i>
	WPSTMBLG0022	BSP threaded straight stanchion mounting bracket Copper free LM6 material with EPDM gasket applied and 2 M6 grub screws Stanchion mount bracket comes with BSP 1 1/2" threaded base that fits 1 1/2" pole. Other threading options available, MOQ applies. <i>Recommended to be used with WEA5 versions.</i>
	WPSTMBLG0024	NPT threaded straight stanchion mounting bracket Copper free LM6 material with EPDM gasket applied and 2 M6 grub screws Stanchion mount bracket comes with NPT 1 1/2" threaded base that fits 1 1/2" pole. Other threading options available, MOQ applies. <i>Recommended to be used with WEA5 versions.</i>
	WPSTMBLG2522	BSP threaded 25 degree stanchion mounting bracket Copper free LM6 material with EPDM gasket applied and 2 M6 grub screws Stanchion mount bracket comes with BSP 1 1/2" threaded base that fits 1 1/2" pole. Other threading options available, MOQ applies. <i>Recommended to be used with WEA5 versions.</i>
	WPSTMBLG2524	NPT threaded 25 degree stanchion mounting bracket Copper free LM6 material with EPDM gasket applied and 2 M6 grub screws Stanchion mount bracket comes with NPT 1 1/2" threaded base that fits 1 1/2" pole. Other threading options available, MOQ applies. <i>Recommended to be used with WEA5 versions.</i>
	WPRECESSWH	Recessed housing welded aluminium construction with white powder coating (Ral 9010) <i>(refer to certificate schedule for ambient operating conditions)</i>

Dialight reserves the right to make changes at any time in order to supply the best product possible. The most current version of this document will always be available at: [www.dialight.com/Assets/Brochures\\_And\\_Catalogs/Illumination/MDEXSSWSEUHZC001.pdf](http://www.dialight.com/Assets/Brochures_And_Catalogs/Illumination/MDEXSSWSEUHZC001.pdf)

MDEXSSWSEUHZC001\_A