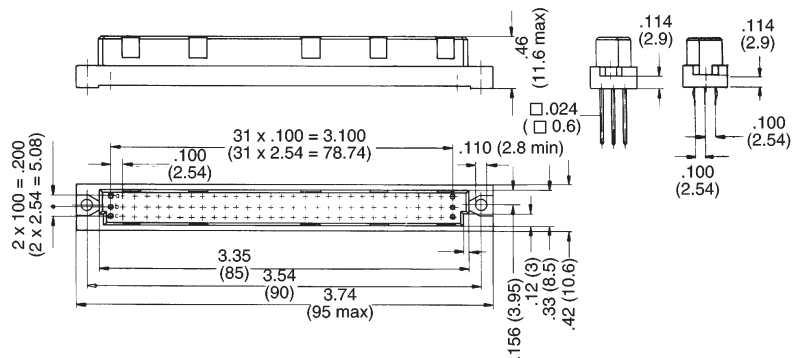


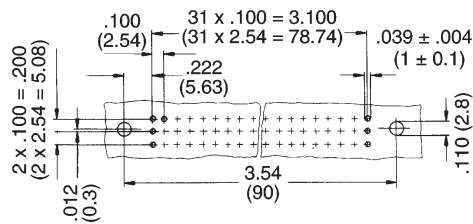


**Type C —  
Series 100**

**32, 64 and 96 Contact  
Female Connectors —  
Three Row**



**Printed Circuit Layout - Straight Tail Version**



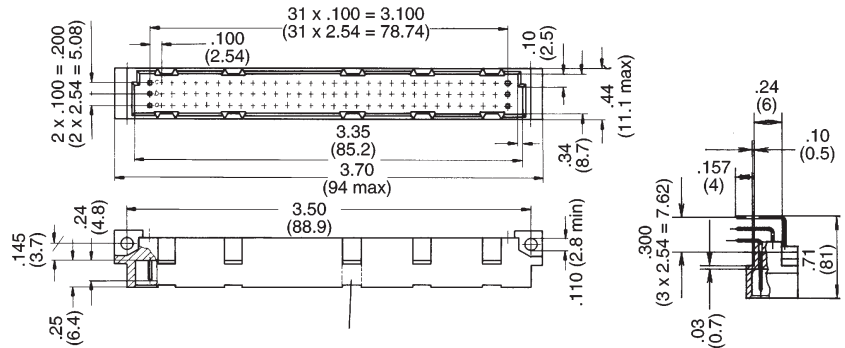
**Part Numbers**

No. of Contacts	Contact Arrangement	Performance Level	Termination Methods						
32	Row a + c	2	100-932-431*	100-932-432	—	—	100-932-434	100-932-533	—
	All Even Numbers	3	100-932-451	100-932-452	—	—	100-932-454	—	—
64	Row a + c	2	100-964-431	100-964-432	100-964-433	100-964-439	100-964-434	100-964-533	—
		3	100-964-451	100-964-452	100-964-453	100-964-459	100-964-454	—	—
96	Fully Equipped	2	100-096-431	100-096-432	100-096-433	100-096-439	100-096-434	100-096-533	100-096-633*
		3	100-096-451	100-096-452	100-096-453	100-096-459	100-096-454	100-096-553*	100-096-653*

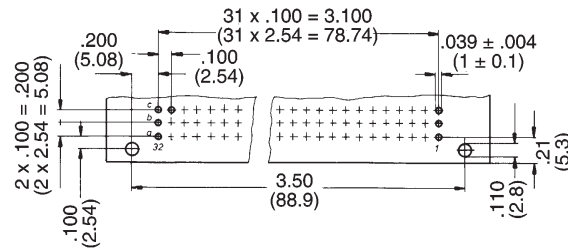
\* Contact Factory For Availability    \*\* Printed Circuit Layout On Page 63

**Type C —  
Series 100**

**Press Fit  
96 Contact Male Connectors  
Three Row\***



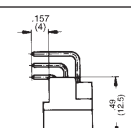
**Printed Circuit Layout**



**Press-Fit Technical Specifications**

Compliant Pin	
P.C.B. Thickness	.06 - .13 (1.6 - 3.2 mm)
Finished Hole Size	.037 - .043 (0.94 - 1.09 mm)
Drill Size	.045 ± .0004 (1.15 <sup>±0.01</sup> mm)
Copper	100μ" 300μ" (25-76μm)
Tin-Lead	30μ" (6μm min)

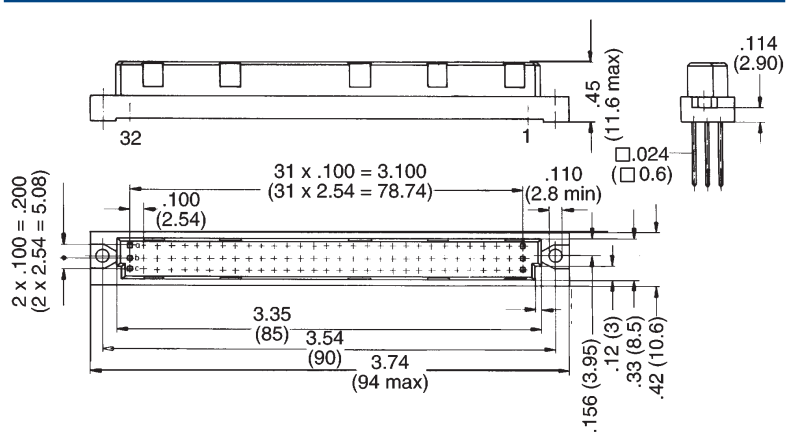
**Part Numbers**

No. of Contacts	Contact Arrangement	Performance Level	Press-Fit	
				Press-Fit Insertion Die
96	Fully Equipped	2	100-096-232*	200-022-020
		3	100-096-252*	

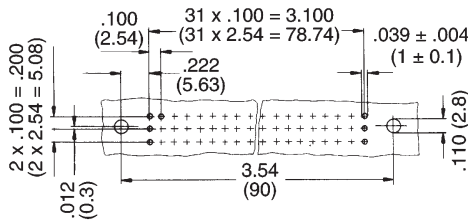
\* Contact Factory for Availability

**Type C —  
Series 100**

**Press Fit  
64 and 96 Contact Female  
Connectors — Three Row**



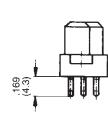
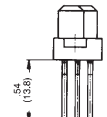
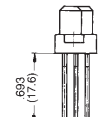
**Printed Circuit Layout**



**Press-Fit Technical Specifications**

Compliant Pin	
P.C.B. Thickness	.06 - .13 (1.6 - 3.2 mm)
Finished Hole Size	.037 - .043 (0.94 - 1.09 mm)
Drill Size	.045 ± .0004 (1.15 <sup>±0.01</sup> mm)
Copper	100μ" 300μ" (25-76μm)
Tin-Lead	30μ" (6μm min)

**Part Numbers**

No. of Contacts	Contact Arrangement	Performance Level	Press-Fit			Press-Fit Insertion Die
						
64	Row a + c	2	100-964-932	100-964-931*	—	200-022-074
		3	100-964-952	100-964-951*	—	
96	Fully Equipped	2	100-096-932	100-096-931	100-096-939	
		3	100-096-952	100-096-951	100-096-959	

\* Contact Factory for Availability