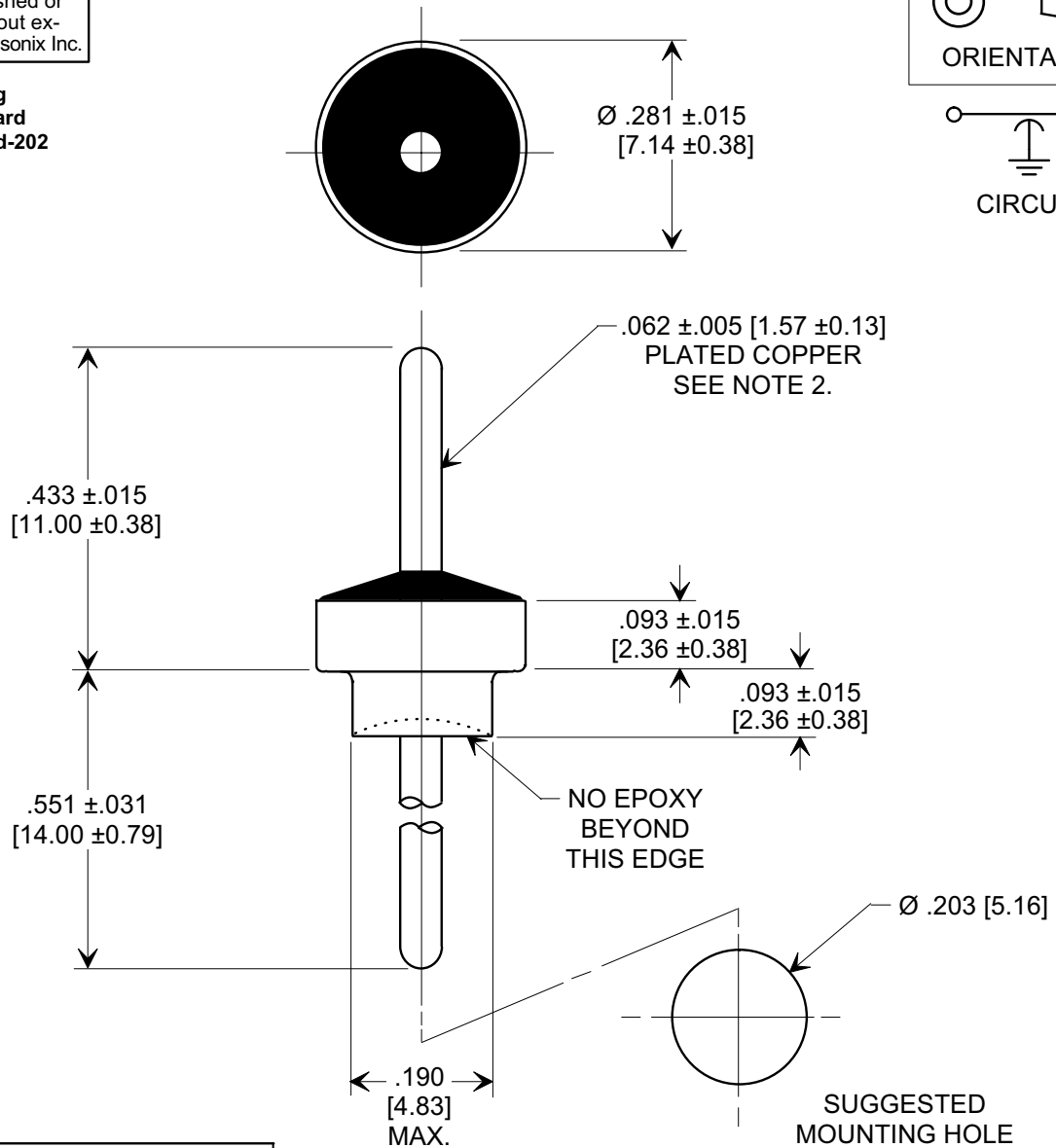
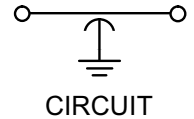
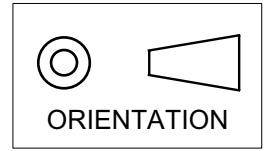


MARKETING SALES DRAWING
DIMENSIONS IN INCHES - DO NOT SCALE THIS DRAWING
DIMENSIONS IN METRIC - []

This drawing is the property of Tusonix, Inc., and may not be used, reproduced, published or disclosed to others without expressed authorization by Tusonix Inc.

Electrical Testing
per Tusonix standard
test plans and Mil-Std-202
Test Methods.



SPECIFICATIONS

CAP. VALUE:	470 pF
CAP. TOL.:	±20%
TEMP. CHAR.:	X5R
RATING:	500 VDC @ +85°C
OPERATING RANGE:	-55°C TO +85°C
I.R. MIN. @ 100 VDC:	10 GΩ
DWV:	1250 VDC

NOTES:

1. TUSONIX STANDARD PART NUMBER: 2450-039-X5R0-471M.
TUSONIX RoHS COMPLIANT PART NUMBER:
2450-039-X5R0-471M LF.
CUSTOMER MUST SPECIFY STANDARD OR RoHS PART NUMBER WHEN ORDERING.
2. LEAD FINISH: STANDARD: SOLDER PLATED. RoHS: SILVER PLATED.
3. BUSHING FINISH: SILVER PLATED.
4. PART MARKING: STANDARD PART: NO MARKING. RoHS PART: GREEN INK DOT ON EPOXY.

X-2015 Rev-0

REVISION RECORD

Original Release	0
C.O. 20021204-3-01	
ADDED & REVISED NOTES 1-4	
S.M. 02-06-06	
2006010-1-10	1

--TOLERANCES-- Unless Otherwise Specified	Title DISCOIDAL FEED-THRU CAPACITOR	
DECIMAL ± NOTED	Drawn S.M. 12-03-02	Scale 4 X
ANGLES ±	Approved T.C. 12-03-02	
TUSONIX TUCSON, ARIZONA	A	2450-039-X5R0-471M