



FEATURES AND SPECIFICATIONS

Features and Benefits

- 3 to 12 circuits
- High voltage
- Rising cage pressure clamp
- 130°C operating rating
- High flammability rating

Electrical

Voltage: 600V
 Maximum Current: 30 Amp
 Insulation Resistance: >5000 Gigaohms

Mechanical

Rec. Tightening Torque: 7 in. lbs, .79 Nm
 Operating Temperature: 130°C
 Wire Strip Length: 1/4" or 6mm

Reference Information

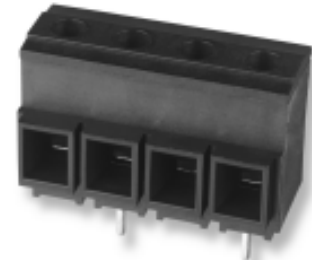
UL File No: E48521
 Guide No: XCFR2
 UL for Canada
 UL File No: E48521
 Guide No: XCFR8

Physical

Housing: VALOX 420SEO, PBT, Black
 Screws: Steel
 Screw Plating: Zinc chromate
 Pressure Clamp: Brass
 Pressure Clamp Plating: Nickel
 Contacts: Copper Alloy
 Contact Plating: Bright Tin Dip
 Wire Range: 10 to 22 AWG, 4 to 0.5mm²

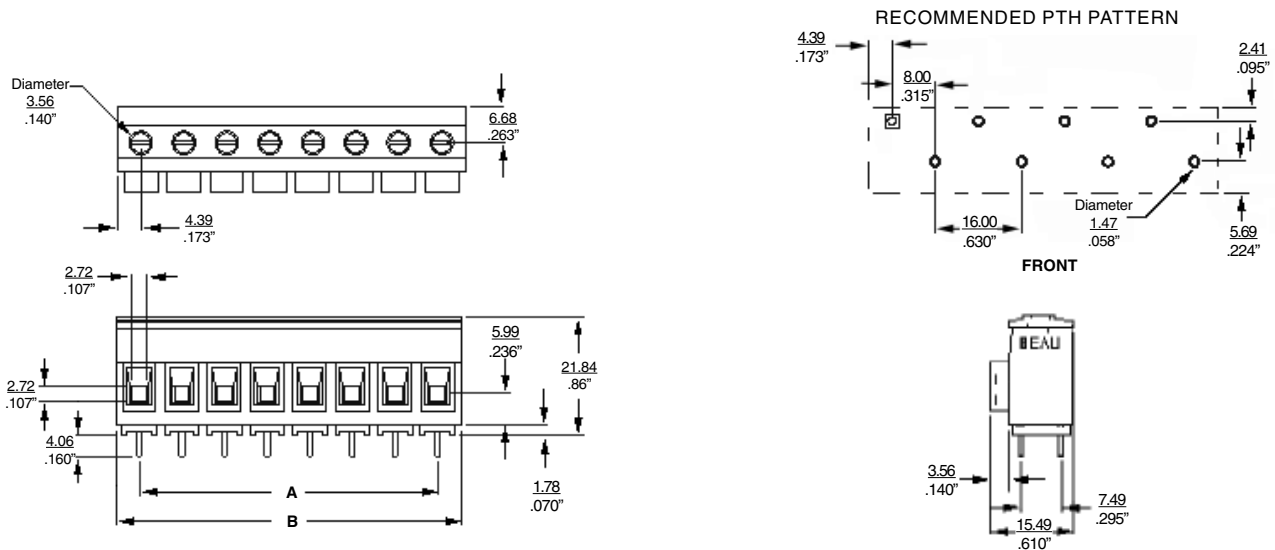
8.0 mm (.315") Pitch
Beau Eurostyle®
Fixed Blocks

39960
High Voltage



96 Series

CATALOG DRAWING (FOR REFERENCE ONLY)



ORDERING INFORMATION AND DIMENSIONS

Part Number*		# of Circuits	A		B	
Order #	Engineering #		in	mm	in	mm
39960-0103	960503	3	.63	16.0	.98	24.9
39960-0104	960504	4	.94	24.0	1.29	32.8
39960-0105	960505	5	1.26	32.0	1.61	40.9
39960-0106	960506	6	1.58	40.0	1.92	48.8
39960-0107	960507	7	1.89	48.0	2.24	56.9
39960-0108	960508	8	2.20	56.0	2.55	64.8
39960-0109	960509	9	2.52	64.0	2.87	72.9
39960-0110	960510	10	2.84	72.0	3.18	80.8
39960-0111	960511	11	3.15	80.0	3.50	88.9
39960-0112	960512	12	3.46	88.0	3.81	96.8

* Consult factory for imprinting and other options