

注記 NOTES

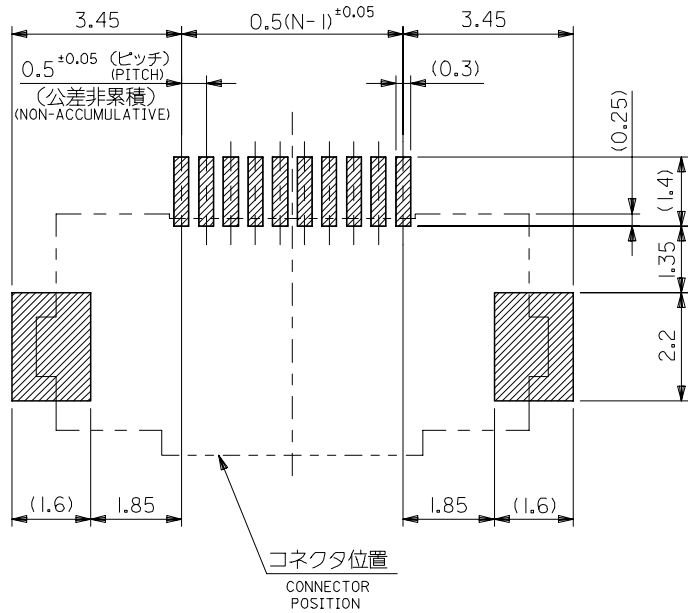
- I. 使用材料 MATERIAL
 ハウジング HOUSING : ポリアミド46、ガラス充填、UL94V-0 (白)
 アクチュエータ ACTUATOR : ポリフェニレンサルファイド、ガラス充填、UL94V-0 (茶)
 ターミナル TERMINAL : リン青銅 (t=0.2)
 PHOSPOR BRONZE
 銅ビスマスメッキ TIN-BISMUTHUS 1.0 MICROMETER MINIMUM
 ニッケル下地 NICKEL(UNDER PLATING)1.0 MICROMETER MINIMUM
 金具 FITTING NAIL : リン青銅 (t=0.2)
 PHOSPOR BRONZE
 銅メッキ TIN 1.0 MICROMETER MINIMUM
 ニッケル下地 NICKEL(UNDER PLATING)1.0 MICROMETER MINIMUM
- △ パターンはくり止め用金具 FITTING NAIL FOR PREVENTION OF PEELING OF P.C.B. PATTERN.
 △ ソルダーテール半田付け面のスリ量、及び金具半田付け面のスリ量は、基準面 Y に対し上方向 0.05MAX、下方向 0.2MAX、とし、相互のバラツキ量は、0.1MAX、とする。
 MISALIGNMENT OF SOLDER TAILS AND FITTING NAILS FROM Y
 UPPER DIRECTION: 0.05 MAX., LOWER DIRECTION: 0.2 MAX.
 MISALIGNMENT BETWEEN SOLDER TAILS AND FITTING NAILS : 0.1MAX.
 △ 偶数極に適用。
 APPLY FOR EVEN CIRCUIT.
 △ 18極以上は2ヶ所、10~17極はハウジングセンター上に1ヶ所とする。
 18 CKTS & MORE THAN 18 CKTS PLACED 2 POINT.
 10~17 CKTS PLACED 1 POINT ON HOUSING CENTER.

19.6	15.5	15.3	14.5	52893-3019	30
18.6	14.5	14.3	13.5	-2819	28
17.6	13.5	13.3	12.5	-2619	26
16.6	12.5	12.3	11.5	-2419	24
15.6	11.5	11.3	10.5	-2219	22
15.1	11.0	10.8	10.0	-2119	21
14.6	10.5	10.3	9.5	-2019	20
14.1	10.0	9.8	9.0	-1919	19
13.6	9.5	9.3	8.5	-1819	18
13.1	9.0	8.8	8.0	-1719	17
12.6	8.5	8.3	7.5	-1619	16
12.1	8.0	7.8	7.0	-1519	15
11.6	7.5	7.3	6.5	-1419	14
11.1	7.0	6.8	6.0	-1319	13
10.6	6.5	6.3	5.5	-1219	12
10.1	6.0	5.8	5.0	-1119	11
9.6	5.5	5.3	4.5	-1019	10
8.6	4.5	4.3	3.5	52893-0819	8
D	C	B	(A)	MATERIAL NO.	極数 CIRCUIT

注記 NOTES

6. 本製品は 52893-***17 の鉛フリー品である。
 THIS PRODUCT IS LEAD FREE OF 52893-***17.

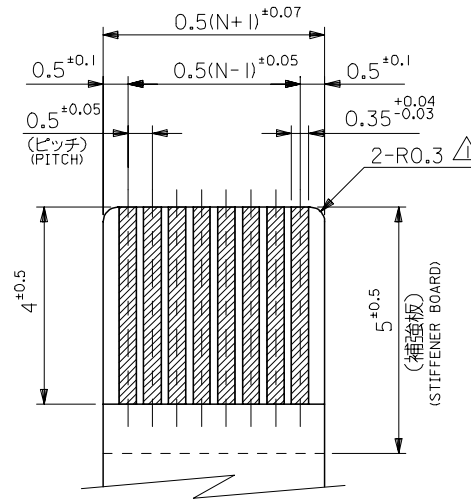
REVISED EC NO: J2006-0272 DRW:NAIDA CHK:KTOJO APPR:NUKITA	DESCRIPTION 2005/07/22 2005/07/25 2005/07/27	GENERAL TOLERANCES (UNLESS SPECIFIED)		DIMENSION STYLE MM ONLY		SCALE ---	DESIGN UNITS METRIC	THIRD ANGLE PROJECTION	
		10 UNDER	±0.2	DRAWN BY M. NAGATA	DATE '04/01/09	TITLE 0.5 FPC CONN ASSY ZIF SMT RA BTM CONT E/O TYPE -LEAD FREE-			
		10 OVER 30 UNDER	±0.25	CHECKED BY K. TOJO	DATE '04/01/09	MOLEX INCORPORATED			
		30 OVER	±0.3	APPROVED BY M. SASAO	DATE '04/01/09	DOCUMENT NO. SD-52893-040			
ANGULAR ±3 °		DRAFT WHERE APPLICABLE MUST REMAIN WITHIN DIMENSIONS		MATERIAL NO. SEE CHART		SHEET NO. 1 OF 2			
SIZE A3 THIS DRAWING CONTAINS INFORMATION THAT IS PROPRIETARY TO MOLEX INCORPORATED AND SHOULD NOT BE USED WITHOUT WRITTEN PERMISSION									



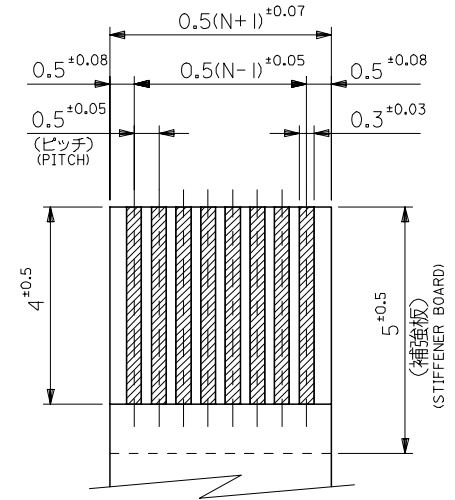
参考基板レイアウト
RECOMMENDED P.C. BOARD
PATTERN DIMENSION (REF.)
(マウント面)
(MOUNTING SIDE)

注記 NOTES

△ R0.3は、FPCの導体部にかからないこと。
R0.3 MUST NOT BE OVERLAPPED TO PATTERN OF FPC.



適合FPC推奨寸法
APPLICABLE FPC
RECOMMENDED DIMENSION
(仕上がり厚さ: 0.3 ± 0.03)
(THICKNESS: 0.3 ± 0.03)



適合FFC推奨寸法
APPLICABLE FFC
RECOMMENDED DIMENSION
(仕上がり厚さ: 0.3 ± 0.03)
(THICKNESS: 0.3 ± 0.03)

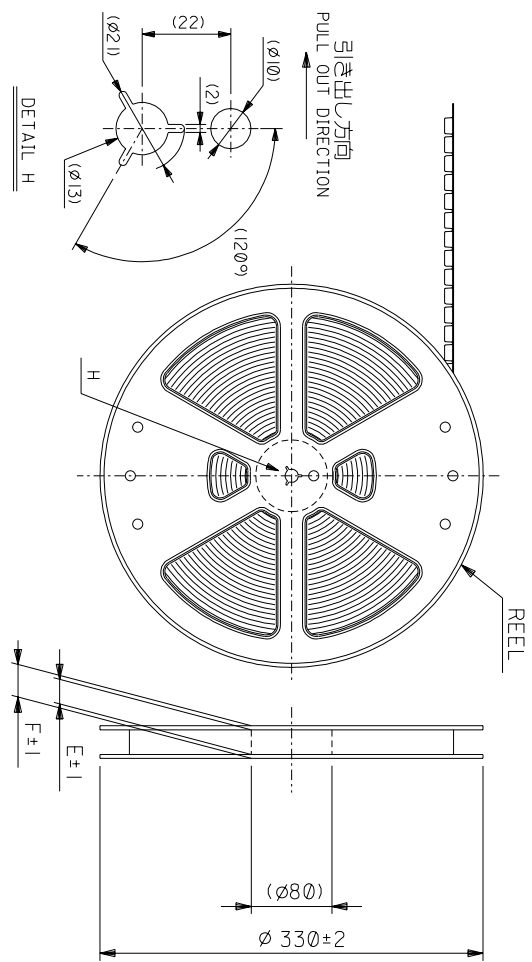
FPCについて:
打抜き方向は導体側から補強板側を推奨致します。
補強フィルム材質はポリイミドを推奨致します。
接着剤は熱硬化接着剤を推奨致します。

ABOUT FPC:
RECOMMENDED PUNCHER DIRECTION: FROM CONDUCTOR SIDE TO
STIFFENER BOARD SIDE.

RECOMMENDED MATERIAL:
STIFFENER FILM: POLYIMIDE
BONDING AGENT: THERMOSETTING BONDING AGENT

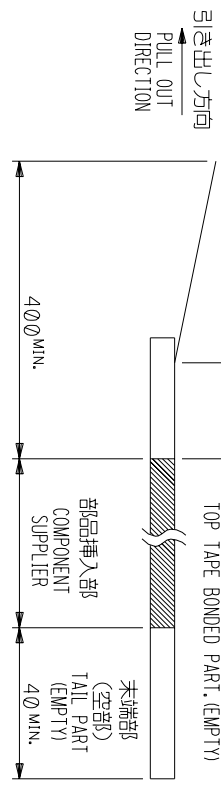
52893-**-19 MODEL NO.

REVISED EC NO: J2006-0272 DRW:NAIDA 2005/07/22 CHK:KTOJO 2005/07/25 APP:NUKITA 2005/07/27	DESCRIPTION	GENERAL TOLERANCES (UNLESS SPECIFIED)		DIMENSION STYLE MM ONLY		SCALE ---	DESIGN UNITS METRIC	THIRD ANGLE PROJECTION	
		10 UNDER	± 0.2	DRAWN BY M. NAGATA	DATE '04/01/09	TITLE 0.5 FPC CONN ASSY ZIF SMT RA BTM CONT E/O TYPE -LEAD FREE-			
		10 OVER 30 UNDER	± 0.25	CHECKED BY K. TOJO	DATE '04/01/09	MOLEX INCORPORATED			
		30 OVER	± 0.3	APPROVED BY M. SASAO	DATE '04/01/09	DOCUMENT NO. SD-52893-040			
ANGULAR ± 3 °		DRAFT WHERE APPLICABLE MUST REMAIN WITHIN DIMENSIONS		MATERIAL NO. SEE CHART		SHEET NO. 2 OF 2			
SIZE A3 THIS DRAWING CONTAINS INFORMATION THAT IS PROPRIETARY TO MOLEX INCORPORATED AND SHOULD NOT BE USED WITHOUT WRITTEN PERMISSION									

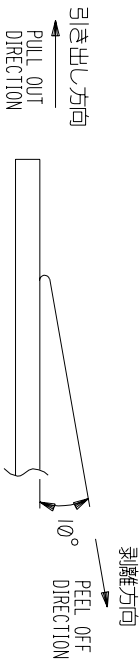


注記 NOTES

1. 製品詳細寸法については図面 SD-52893-040 を参照下さい。
RE DETAILED DIMENSION, SEE SD-52893-040
2. 梱包数量: 1000個/リール
NUMBER OF CONNECTORS: 1000PCS/REEL
3. リードテープ長さ LEAD TAPE LENGTH
20PCS. MIN. リードテープ接合部 (空インボス)
TOP TAPE BONDED PART. (EMPTY)



4. トッパテープの剥離強度: 0.1~1.3N/10 ~ 130gf (剥離方向は下図参照)
尚、本規格値は出荷時に適用。(但し、輸送時に剥離力発生しないこと。)
PEELING OFF FORCE OF TOP TAPE: 0.1~1.3N/10 ~ 130gf
(PEELING DIRECTION AS SHOWN IN FOLLOWING FIG.)
THIS REQUIREMENT SHOULD BE APPLIED AT SHIPMENT.
PEEL OFF SHOULD NOT BE ALLOWED, DURING TRANSPORTATION.



5. 材料
キャリアテープ: ポリプロピレン (PP)
トッパテープ: PET, PE, PEF
リール: ポリスチレン (PS) <リサイクル材を含む>

MATERIAL CARRIER TAPE: POLYPROPYLENE
TOP TAPE: PET, PE, PEF
REEL: POLYSTYRENE(PS)
<RECYCLE MATERIAL CONTAINED>

6. 本製品は 52893-***90 の鉛フリー品である。
THIS PRODUCT IS LEAD FREE OF 52893-***90

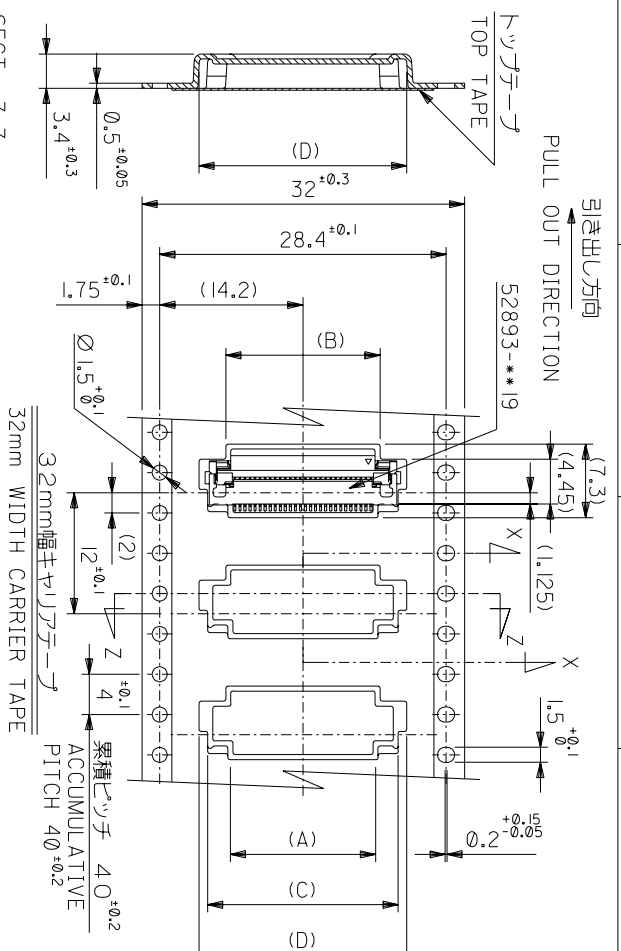
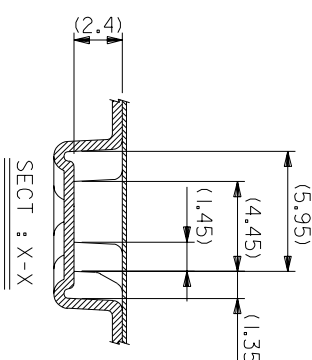
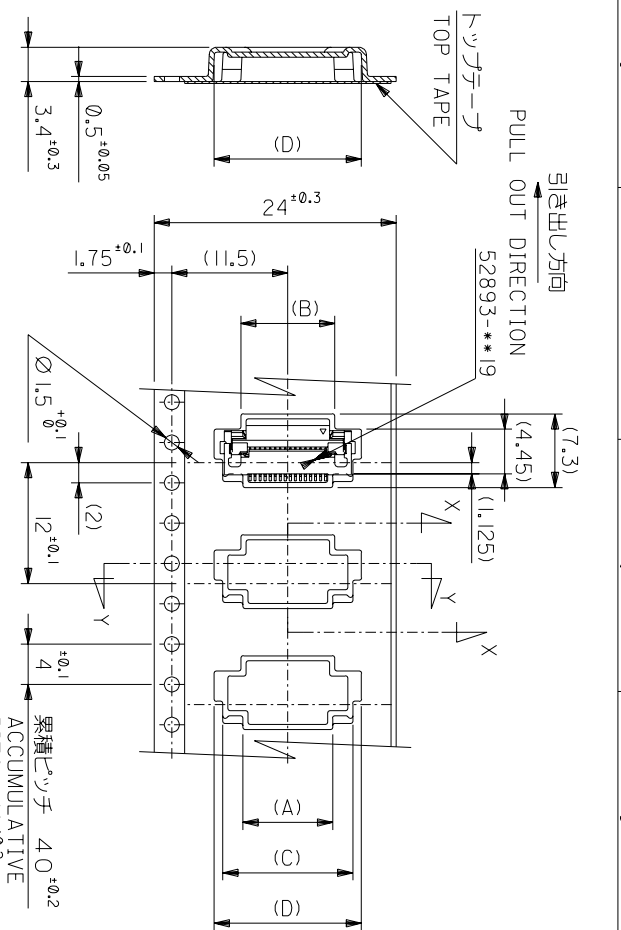
REV	DESCRIPTION
0	RELEASED J2004-1861 DRWN: M.NAGATA '04/01/09 CHK: K.TOJO '04/01/09 APPR: M.SASAO '04/01/09
A	REVISED J2004-3551 DRWN: H.KAWABATA '04/04/07 CHK: K.TOJO '04/04/07 APPR: M.SASAO '04/04/07
7	J202NO. DRWN: CH'K: APPR:
8	J204NO. DRWN: CH'K: APPR:

MATERIAL	注記参照 SEE NOTES
FINISH	注記参照 SEE NOTES
WIRE RANGE	適用電線範囲
INS. RANGE	被覆外径

GENERAL TOLERANCES:	(UNLESS SPECIFIED)
寸法公差	
10 UNDER	+0.2
10 OVER	30 UNDER
30 OVER	+0.25
30以上	+0.3
角度	±3°

SCALE	—/—
DESIGN UNITS	<input checked="" type="checkbox"/> mm <input type="checkbox"/> INCH
DRAWN BY & DATE	M.NAGATA 04/01/09
CHECKED BY & DATE	K.TOJO 04/01/09
APPROVED BY & DATE	M.SASAO 04/01/09

MODEL NO.	52893-***95	DIMENSIONS:	mm mm mm mm mm	SHT	REV
TITLE:	0.5 FPC Conn Assy ZIF SMT RA E0 Type Embstp pkg -LEAD FREE-	PROJECTION	<input checked="" type="checkbox"/> mm <input type="checkbox"/> INCH	1 OF 2	B
MATERIAL NO.	SEE CHART	DRAWING NO.	SD-52893-041	SHEET NO.	
CAD FILENAME	SD-52893-041.S01	MATERIAL NO.	MOLEX INCORPORATED	SIZE	



キャリアテープ幅 CARRIER TAPE WIDTH	F	E	(D)	(C)	(B)	(A)	MATERIAL NO.	極数 CIRCUIT
24	29.4	25.4	21.6	19.9	16.1	15.9	52893-3095	30
32	37.4	33.4	20.6	18.9	15.1	14.9	-2895	28
			19.6	17.9	14.1	13.9	-2695	26
			18.6	16.9	13.1	12.9	-2495	24
			17.6	15.9	12.1	11.9	-2295	22
			17.1	15.4	11.6	11.4	-2195	21
			16.6	14.9	11.1	10.9	-2095	20
			16.1	14.4	10.6	10.4	-1995	19
			15.6	13.9	10.1	9.9	-1895	18
			15.1	13.4	9.6	9.4	-1795	17
			14.6	12.9	9.1	8.9	-1695	16
			14.1	12.4	8.6	8.4	-1595	15
			13.6	11.9	8.1	7.9	-1495	14
			13.1	11.4	7.6	7.4	-1395	13
			12.6	10.9	7.1	6.9	-1295	12
			12.1	10.4	6.6	6.4	-1195	11
			11.6	9.9	6.1	5.9	-1095	10
			10.6	8.9	5.1	4.9	52893-0895	8

REV	DESCRIPTION
8	284NO. DRWN: CH'K: APPR:
7	283NO. DRWN: CH'K: APPR:
6	282NO. DRWN: CH'K: APPR:
A	REVISED 281NO. J2004-3551 DRWN: H.KAWABATA '04/04/07 CH'K: K.TOJO '04/04/07 APPR: M.SASAO '04/04/07
0	RELEASED 280NO. J2004-1861 DRWN: M.NAGATA '04/01/09 CH'K: K.TOJO '04/01/09 APPR: M.SASAO '04/01/09

GENERAL TOLERANCES: (UNLESS SPECIFIED)	SCALE	DESIGN UNITS	MODEL NO.	DIMENSIONS:
10 UNDER	DRAWN BY & DATE	mm	52893-**95	SHT
30 OVER	CHECKED BY & DATE	mm		REV
30 OVER	APPROVED BY & DATE	mm		SIZE
ANGLE 角度	CAD FILENAME	mm		B
	SD-52893-041.S02	mm		
	MSASAO '04/01/09	mm		
	K1TOJO '04/01/09	mm		
	M.SASAO '04/01/09	mm		
	MOLEX INCORPORATED	mm		
	SEE CHART	mm		
	SD-52893-041	mm		
	0.5 FPC Conn Assy ZIF SMT	mm		
	RA E0 Type Embstp Pkg	mm		
	-LEAD FREE-	mm		