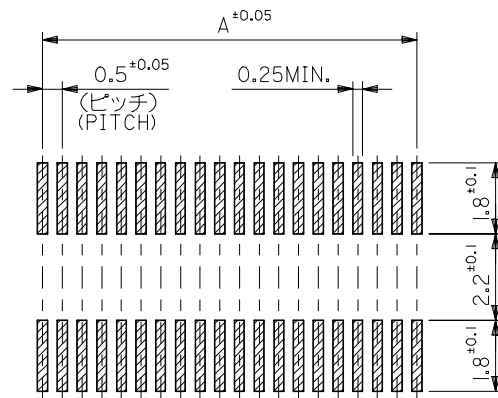
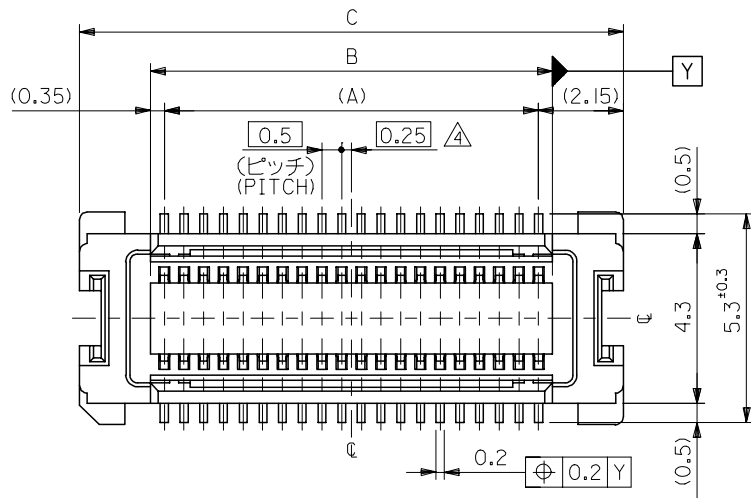
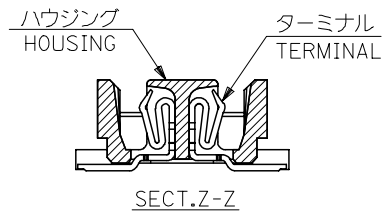
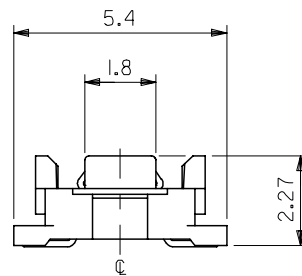
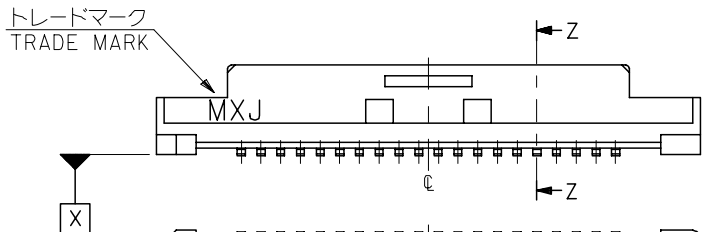


10 9 8 7 6 5 4 3 2 1



参考基板レイアウト (マウント面)  
P.C.BOARD PATTERN  
DIMENSION (REF.)  
(MOUNTING AREA)



注記 NOTES:

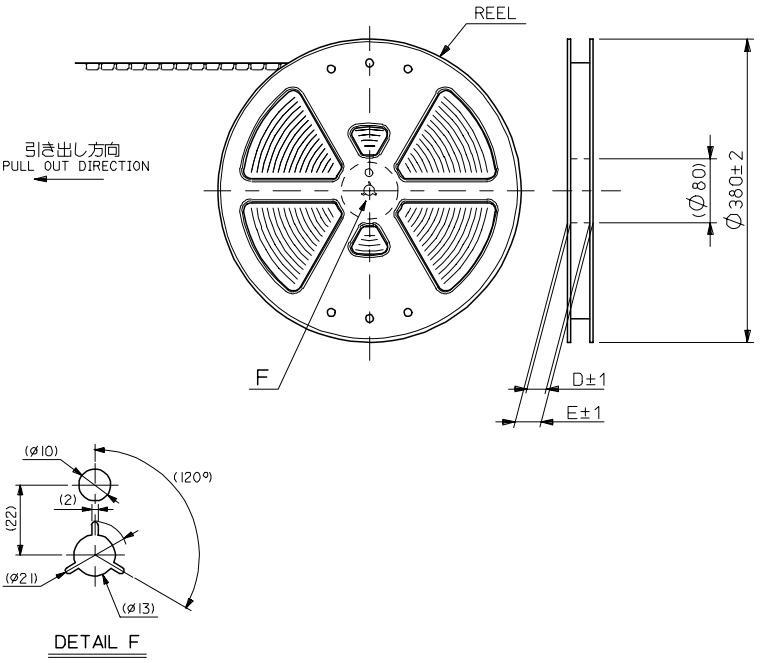
1. 使用材料 MATERIAL  
ハウジング: LCPガラス入り (白), UL94V-0  
HOUSING: LCP(G.F.)(COLOR:WHITE), UL94V-0  
ターミナル: リン青銅 (t=0.15)  
TERMINAL: PHOSPHOR BRONZE (t=0.15)
2. ヌッキ仕様 PLATING  
全体仕上げ: 金メッキ 0.1 MICROMETER MIN.  
ALL OVER: GOLD 0.1 MICROMETER MIN.  
下地メッキ: ニッケルメッキ 1.5 MICROMETER MIN.  
UNDER PLATING: NICKEL 1.5 MICROMETER MIN.

- 5 嵌合相手: 53748 シリーズ 53916 シリーズ 502280 シリーズ  
MATE WITH: 53748 SERIES, 53916 SERIES, 502280 SERIES.
- 6 テール平坦度は、0.1MAX.  
TAIL COPLANARITY TO BE 0.1MAX.

3. 基準面 [X] からのソルダーテールの半田付け面のズレ量は、上方向 0、下方向 0.15MAX. とする。  
MISALIGNMENT OF SOLDER TAIL FROM [X]  
: UPPER DIRECTION 0, LOWER DIRECTION 0.15 MAX.  
△ (全極数/2) = 偶数の場合に適用。  
APPLY FOR (CIRCUIT/2)=EVEN.

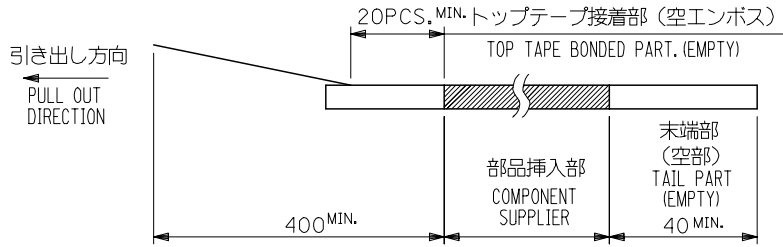
23.8	20.2	19.5	52991-0800	80
21.3	17.7	17.0	-0700	70
18.8	15.2	14.5	-0600	60
16.3	12.7	12.0	-0500	50
13.8	10.2	9.5	-0400	40
11.3	7.7	7.0	-0300	30
8.8	5.2	4.5	52991-0200	20
C	B	A	MATERIAL NO.	極数 CIRCUIT

REVISED EC NO: J2007-0273 DRWN: TENAGASE 2006/07/28 CHKD: THARUYAMA 2006/08/03 APPR: NUKITA 2006/08/07	GENERAL TOLERANCES (UNLESS SPECIFIED)		DIMENSION STYLE MM ONLY		SCALE 8:1	DESIGN UNITS METRIC	THIRD ANGLE PROJECTION
	10 UNDER	±0.2	DRAWN BY S. AIHARA	DATE '96/02/27	TITLE 0.5 B/B CONN REC HOUSING ASSY(W/O BOSS, W/O NAIL) -LEAD FREE-		
	10 OVER 30 UNDER	±0.25	CHECKED BY M. SASAO	DATE '01/12/26			
	30 OVER	±0.3	APPROVED BY M. SASAO	DATE '01/12/26	MOLEX INCORPORATED		
ANGULAR	±3 °	MATERIAL NO. SEE CHART	DOCUMENT NO. SD-52991-004	SHEET NO. 1 OF 1			
D	DRAFT WHERE APPLICABLE MUST REMAIN WITHIN DIMENSIONS		SIZE A3		THIS DRAWING CONTAINS INFORMATION THAT IS PROPRIETARY TO MOLEX INCORPORATED AND SHOULD NOT BE USED WITHOUT WRITTEN PERMISSION		

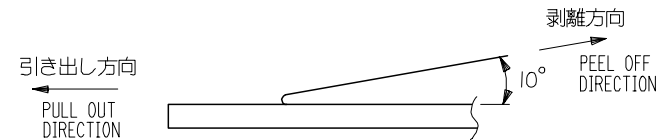


NOTES

- 製品詳細寸法については図面 SD-52991-004 を参照下さい。  
RE DETAILED DIMENSION, SEE SD-52991-004
- 梱包数量：3000個/リール  
NUMBER OF CONNECTORS : 3000PCS/REEL
- リードテープ長さ LEAD TAPE LENGTH



- トップテープの剥離強度：0.1N~1.3N (10gf~130gf) (剥離方向は下図参照)  
尚、本規格値は出荷時に適用。(但し、輸送時に剥離が発生しないこと。)  
PEELING OFF FORCE OF TOP TAPE : 0.1N~1.3N (10gf~130gf)  
(PEELING DIRECTION AS SHOWN IN FOLLOWING FIG.)  
THIS REQUIREMENT SHOULD BE APPLIED AT SHIPMENT.  
PEEL OFF SHOULD NOT BE ALLOWED , DURING TRANSPORTATION.



- 材料 (MATERIAL)  
キャリアテープ (CARRIER TAPE) : ポリプロピレン (POLYPROPYLENE)  
トップテープ (TOPTAPE) : PET , PE , PEF  
リール (REEL) : ポリスチレン (PS) <リサイクル材を含む>  
POLYSTYREN (PS) <RECYCLE MATERIAL CONTAINED>

52991-\*\*\*8 MODEL NO.

REVISED EC NO: J2006-0604 DRW:NAIDA 2005/08/31 CHKD:TOYODA 2005/09/01 APPR:NUKITA 2005/09/09	GENERAL TOLERANCES (UNLESS SPECIFIED)		DIMENSION STYLE MM ONLY		SCALE ---	DESIGN UNITS METRIC	THIRD ANGLE PROJECTION	
	10 UNDER	± 0.2	DRAWN BY T. NIITSU	DATE '95/10/17	TITLE 0.5 B/B CONN REC HSG ASSY EMBSTP PKG -LEAD FREE-			
	10 OVER 30 UNDER	± 0.25	CHECKED BY T. ITO	DATE '01/01/31	MOLEX INCORPORATED			
	30 OVER	± 0.3	APPROVED BY M. FUKUSHIMA	DATE '01/01/31	DOCUMENT NO. SD-52991-005		SHEET NO. 1 OF 6	
	ANGULAR	± 3 °	MATERIAL NO. SEE CHART					
D	DRAFT WHERE APPLICABLE MUST REMAIN WITHIN DIMENSIONS		SIZE A3		THIS DRAWING CONTAINS INFORMATION THAT IS PROPRIETARY TO MOLEX INCORPORATED AND SHOULD NOT BE USED WITHOUT WRITTEN PERMISSION			

10 9 8 7 6 5 4 3 2 1

F

E

D

C

B

A

F

E

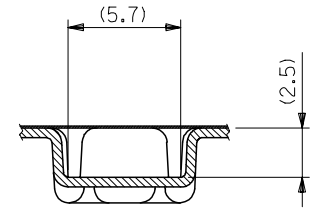
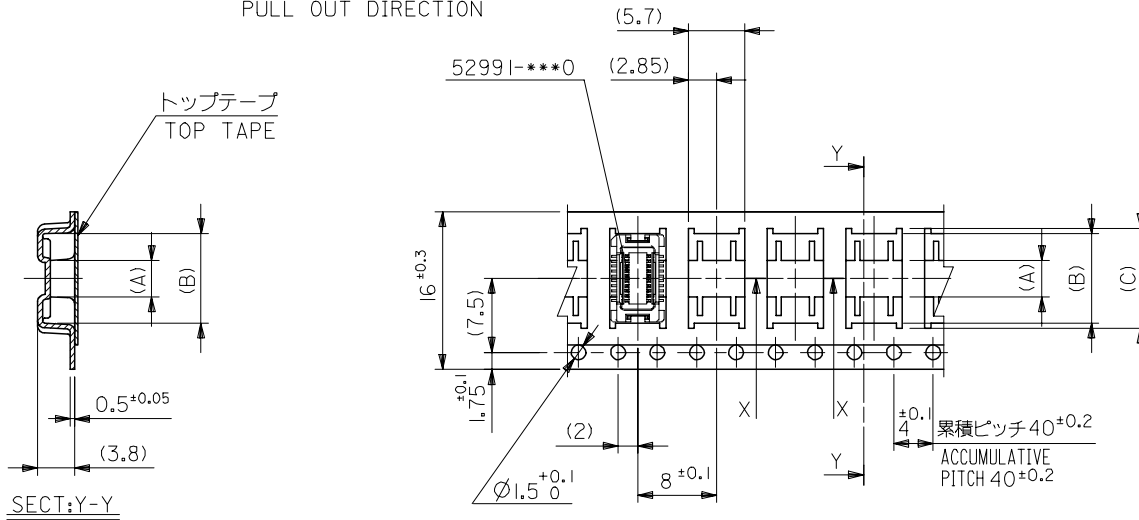
D

C

B

A

引き出し方向  
PULL OUT DIRECTION



SECT:X-X  
(SCALE 4:1)

SECT:Y-Y

16mm幅キャリアテープ  
16mm WIDTH CARRIER TAPE

REVISED		EC NO: J2006-0604		2005/08/31		2005/09/01		2005/09/09		52991-***8		MODEL NO.		16		21.4		17.4		10.1		9.1		3.7		52991-0208		20													
DRWN:NAIDA		CHKD:TOYODA		APPR:NUKITA		GENERAL TOLERANCES (UNLESS SPECIFIED)		DIMENSION STYLE		SCALE		DESIGN UNITS		THIRD ANGLE PROJECTION		DRAWN BY		DATE		TITLE		MATERIAL NO.		極数		CARRIER TAPE WIDTH		E		D		(C)		(B)		(A)		MATERIAL NO.		極数	
10 UNDER		± ---		10 OVER		30 UNDER		± ---		30 OVER		± ---		ANGULAR		± --- °		DRAFT WHERE APPLICABLE		MUST REMAIN		WITHIN DIMENSIONS		SEE CHART		SD-52991-005		SHEET NO.		2 OF 6		THIS DRAWING CONTAINS INFORMATION THAT IS PROPRIETARY TO MOLEX INCORPORATED AND SHOULD NOT BE USED WITHOUT WRITTEN PERMISSION									

9

8

7

6

5

4

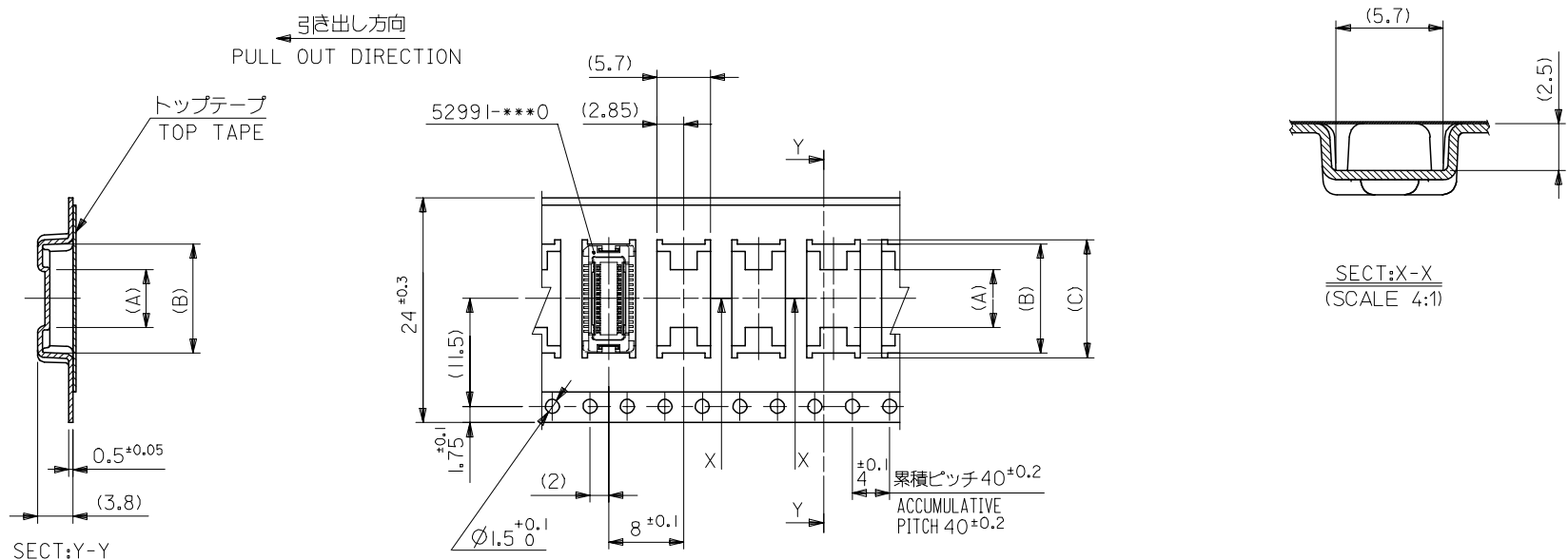
3

2

10 9 8 7 6 5 4 3 2 1

F  
E  
D  
C  
B  
A

F  
E  
D  
C  
B  
A



24mm幅キャリアテープ  
24mm WIDTH CARRIER TAPE

24	29.4	25.4	15.1	14.1	7.4	52991-0408	40
			12.6	11.6	4.9	52991-0308	30
キャリアテープ幅 CARRIER TAPE WIDTH	E	D	(C)	(B)	(A)	MATERIAL NO.	極数 CKT.

REVISED EC NO: J2006-0604 DRWN:NAIDA 2005/08/31 CHKD:KTOYODA 2005/09/01 APPR:NUKITA 2005/09/09	52991-***8	MODEL NO.	DIMENSION STYLE MM ONLY		SCALE ---	DESIGN UNITS METRIC	THIRD ANGLE PROJECTION
	GENERAL TOLERANCES (UNLESS SPECIFIED)		DRAWN BY S. AIHARA		DATE '96/04/01		TITLE 0.5 B/B CONN REC HSG ASSY EMBSTP PKG -LEAD FREE-
	10 UNDER	± ---	CHECKED BY T. ITO		DATE '01/01/31		
	10 OVER 30 UNDER	± ---	APPROVED BY M. FUKUSHIMA		DATE '01/01/31		MOLEX INCORPORATED
	30 OVER	± ---	MATERIAL NO.		DOCUMENT NO.		
ANGULAR	± --- °	DRAFT WHERE APPLICABLE MUST REMAIN WITHIN DIMENSIONS		SEE CHART		SD-52991-005	SHEET NO. 3 OF 6

10 9 8 7 6 5 4 3 2 1

F

E

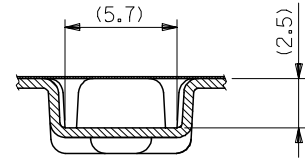
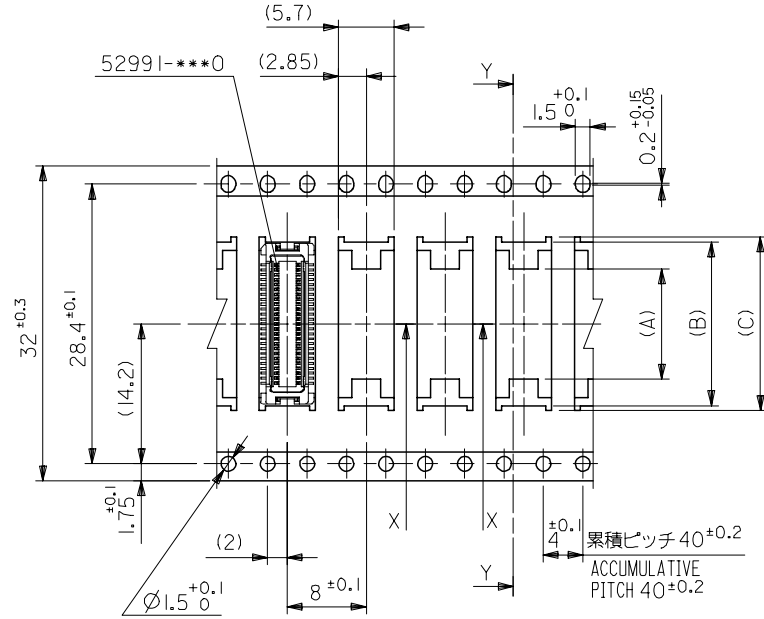
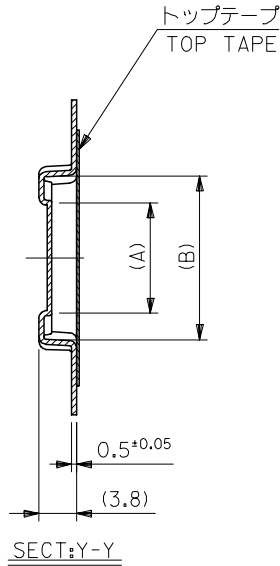
D

C

B

A

引き出し方向  
PULL OUT DIRECTION



32mm幅キャリアテープ  
32mm WIDTH CARRIER TAPE

32	37.4	33.4	17.6	16.6	11.2	52991-0508	50
キャリアテープ幅 CARRIER TAPE WIDTH	E	D	(C)	(B)	(A)	MATERIAL NO.	極数 CKT.

REVISED EC NO: J2006-0604 DRW:NAIDA 2005/08/31 CHK:KTOYODA 2005/09/01 APPR:NUKITA 2005/09/09	52991-***8 MODEL NO.		DIMENSION STYLE MM ONLY		SCALE ---	DESIGN UNITS METRIC	THIRD ANGLE PROJECTION
	GENERAL TOLERANCES (UNLESS SPECIFIED)		DRAWN BY T. YASUI		DATE '96/04/15		TITLE 0.5 B/B CONN REC HSG ASSY EMBSTP PKG -LEAD FREE-
	10 UNDER	± ---	CHECKED BY T. ITO		DATE '01/01/31		
	10 OVER 30 UNDER	± ---	APPROVED BY M. FUKUSHIMA		DATE '01/01/31		MOLEX INCORPORATED
	30 OVER	± ---	MATERIAL NO.		DOCUMENT NO. SD-52991-005		
ANGULAR	± --- °	DRAFT WHERE APPLICABLE MUST REMAIN WITHIN DIMENSIONS		SIZE A3		SHEET NO. 4 OF 6	

9

8

7

6

5

4

3

2

10 9 8 7 6 5 4 3 2 1

F

E

D

C

B

A

F

E

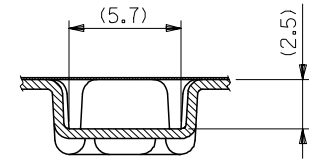
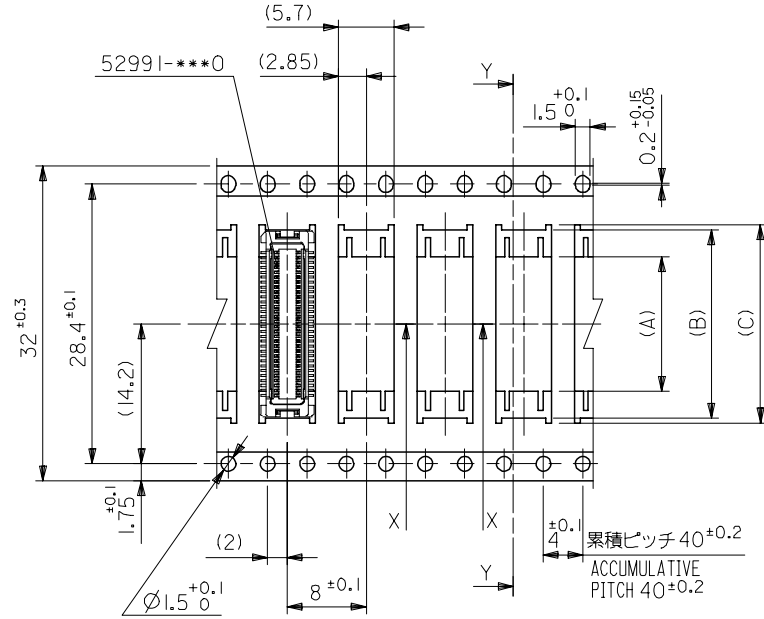
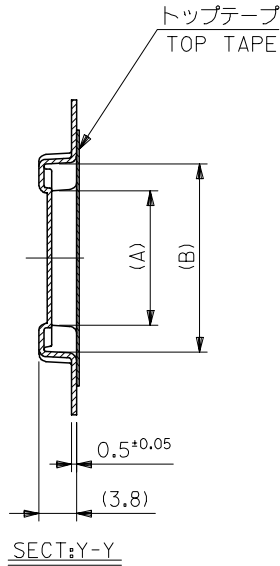
D

C

B

A

引き出し方向  
PULL OUT DIRECTION



32mm幅キャリアテープ  
32mm WIDTH CARRIER TAPE

REVISED EC NO: J2006-0604 DRW:NAIDA 2005/08/31 CHKD:TOYODA 2005/09/01 APPR:NUKITA 2005/09/09	52991-***8 MODEL NO.		32	37.4	33.4	20.1	19.1	13.7	52991-0608	60
	GENERAL TOLERANCES (UNLESS SPECIFIED)		キャリアテープ幅 CARRIER TAPE WIDTH	E	D	(C)	(B)	(A)	MATERIAL NO.	極数 CKT.
	10 UNDER ± ---		DIMENSION STYLE MM ONLY		SCALE ---		DESIGN UNITS METRIC		THIRD ANGLE PROJECTION	
	10 OVER 30 UNDER ± ---		DRAWN BY DATE S. AIHARA '96/04/01		TITLE 0.5 B/B CONN REC HSG ASSY EMBSTP PKG -LEAD FREE-					
30 OVER ± ---		CHECKED BY DATE T. ITO '01/01/31		MOLEX INCORPORATED						
ANGULAR ± --- °		APPROVED BY DATE M. FUKUSHIMA '01/01/31		MATERIAL NO.		DOCUMENT NO.		SHEET NO.		
DRAFT WHERE APPLICABLE MUST REMAIN WITHIN DIMENSIONS		SEE CHART		SD-52991-005		5 OF 6				
SIZE A3		THIS DRAWING CONTAINS INFORMATION THAT IS PROPRIETARY TO MOLEX INCORPORATED AND SHOULD NOT BE USED WITHOUT WRITTEN PERMISSION								

9

8

7

6

5

4

3

2

10 9 8 7 6 5 4 3 2 1

F

E

D

C

B

A

F

E

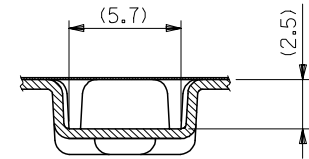
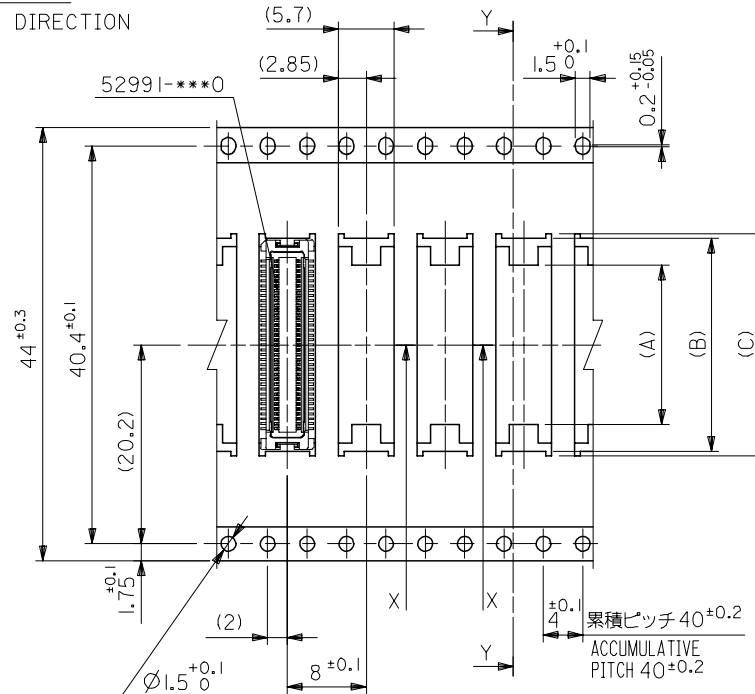
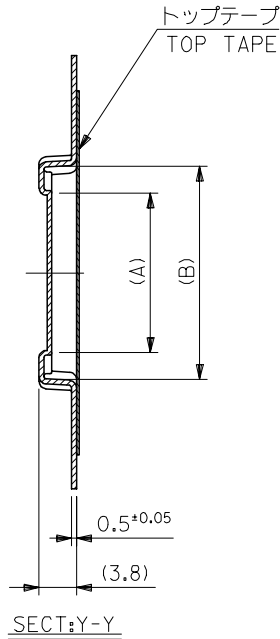
D

C

B

A

引き出し方向  
PULL OUT DIRECTION



44mm幅キャリアテープ  
44mm WIDTH CARRIER TAPE

44	49.4	45.4	25.1	24.1	18.7	52991-0808	80
			22.6	21.6	16.2	52991-0708	70
キャリアテープ幅 CARRIER TAPE WIDTH	E	D	(C)	(B)	(A)	MATERIAL NO.	極数 CKT.

REVISED EC NO: J2006-0604 DRW:NAIDA 2005/08/31 CHK:KTOYODA 2005/09/01 APPR:NUKITA 2005/09/09	DESCRIPTION	52991-***8	MODEL NO.	DIMENSION STYLE	SCALE	DESIGN UNITS	THIRD ANGLE PROJECTION
	GENERAL TOLERANCES (UNLESS SPECIFIED)			MM ONLY	---	METRIC	
	10 UNDER ± ---			DRAWN BY	DATE	TITLE	
	10 OVER 30 UNDER ± ---			T. YASUI	'96/04/15	0.5 B/B CONN REC HSG ASSY EMBSTP PKG -LEAD FREE-	
30 OVER ± ---			CHECKED BY	DATE			
ANGULAR ± --- °			T. ITO	'01/01/31			
DRAFT WHERE APPLICABLE MUST REMAIN WITHIN DIMENSIONS			APPROVED BY	DATE			
			M. FUKUSHIMA	'01/01/31			
			MATERIAL NO.	DOCUMENT NO.			SHEET NO.
			SEE CHART	SD-52991-005			6 OF 6
			SIZE	THIS DRAWING CONTAINS INFORMATION THAT IS PROPRIETARY TO MOLEX INCORPORATED AND SHOULD NOT BE USED WITHOUT WRITTEN PERMISSION			
			A3				

9

8

7

6

5

4

3

2